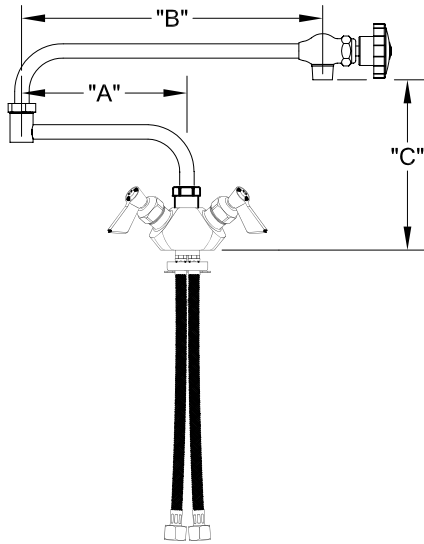
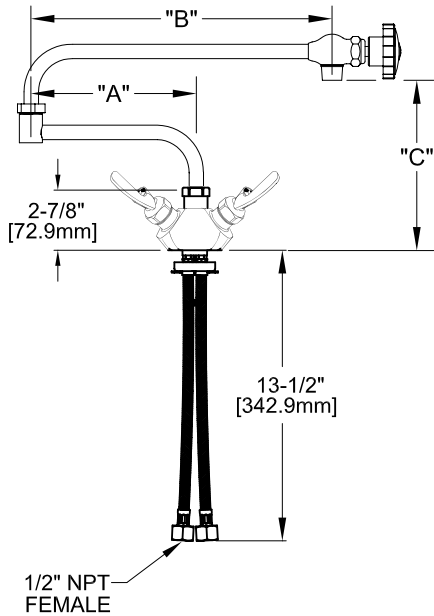


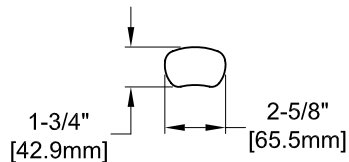
SINGLE DECK DUAL CONTROL FAUCET W/ LEVER HANDLES



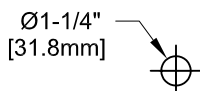
SINGLE DECK DUAL CONTROL FAUCET W/ WRIST HANDLES



FOOTPRINT:



ROUGH-IN:



ANSI/A112.18.1-2005

PRODUCT NAME:

STAINLESS STEEL SINGLE DECK DUAL CONTROL

MODEL:

- 54097 W/ 12" CONTROL SWING SPOUT, 7" DJ W/ LEVER HANDLES
- 54798 W/ 12" CONTROL SWING SPOUT, 12" DJ W/ LEVER HANDLES
- 57436 W/ 12" CONTROL SWING SPOUT, 7" DJ W/ LEVER HANDLES
- 57444 W/ 12" CONTROL SWING SPOUT, 12" DJ W/ LEVER HANDLES

FEATURES

CONTROL VALVE

- * SINGLE DECK DUAL CONTROL
- * STAINLESS STEEL CONSTRUCTION
- * SWIVELLING SEAT DISKS
- * HOT SIDE STEM - RIGHT HAND
- * COLD SIDE STEM - LEFT HAND
- * LEVER HANDLES OR WRIST HANDLES
- * STAINLESS STEEL BRAIDED HOSE
- * CONTROL SWING SPOUT

SYSTEM LIMITS

- * TEMP: 40°F MIN. TO 140°F MAX.
- * 5 GPM @ 60 PSI

SHIPPING WEIGHT

- * 6.0 LBS

* NSF 61-9 APPROVED & LISTED

www.truesdail.com

MODELS	DIM "A"	DIM "B"	DIM "C"
54097 57436	7" [177.8mm]	12 1/2" [317.5mm]	7 7/8" [200mm]
54798 57444	12" [308.4mm]	12 1/2" [317.5mm]	7 7/8" [200mm]

FISHER

FISHER MANUFACTURING COMPANY

TOLL FREE: 800-421-6162 - FAX: 800-832-8238

information@fisher-mfg.com - www.fisher-mfg.com