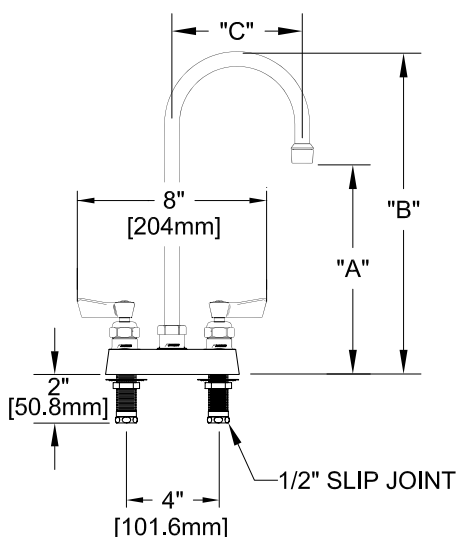
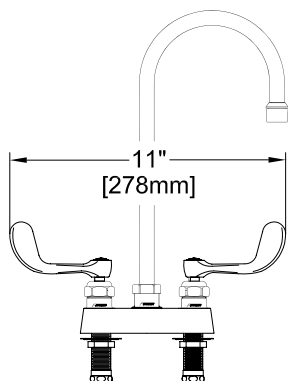


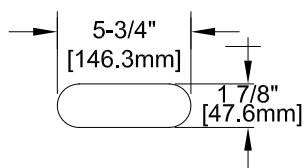
4" DECK MOUNT W/ LEVER HANDLES



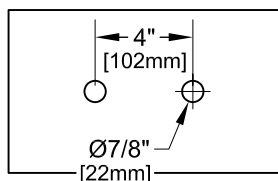
4" DECK MOUNT W/ WRIST HANDLES



FOOTPRINT:



ROUGH-IN:



PRODUCT NAME: STAINLESS STEEL  
4" DECK MOUNT FAUCETS

MODEL:

- 53872 W/ 6" SWIVEL/RIGID GOOSENECK SPOUT  
W/ LEVER HANDLES
- 53880 W/ 12" SWIVEL/RIGID GOOSENECK SPOUT  
W/ LEVER HANDLES
- 58696 W/ 6" SWIVEL/RIGID GOOSENECK SPOUT  
W/ WRIST HANDLES
- 58718 W/ 12" SWIVEL/RIGID GOOSENECK SPOUT  
W/ WRIST HANDLES

FEATURES

CONTROL VALVE

- \* 4" DECK MOUNT
- \* STAINLESS STEEL CONSTRUCTION
- \* SWIVELLING SEAT DISKS
- \* HOT SIDE STEM - RIGHT HAND
- \* COLD SIDE STEM - LEFT HAND
- \* LEVER HANDLES OR WRIST HANDLES
- \* SWIVEL GOOSENECK SPOUT

SYSTEM LIMITS

- \* TEMP: 40°F MIN. TO 140°F MAX.
- \* PRESSURE: 200 PSI MAX. STATIC
- \* 2.20 GPM AT 80 PSI

SHIPPING WEIGHT

- \* 6.0 LBS

\* NSF 61-9 APPROVED & LISTED

[www.truesdail.com](http://www.truesdail.com)

MODELS	DIM "A"	DIM "B"	DIM "C"
53872	4-1/2"	8-1/16"	3-1/2"
58696	[114.3mm]	[204.8mm]	[88.90mm]
53880	8-1/4"	12-1/4"	5-1/2"
58718	[209.6mm]	[311.2mm]	[139.7mm]

**FISHER**

FISHER MANUFACTURING COMPANY

TOLL FREE: 800-421-6162 - FAX: 800-832-8238

[information@fisher-mfg.com](mailto:information@fisher-mfg.com) - [www.fisher-mfg.com](http://www.fisher-mfg.com)