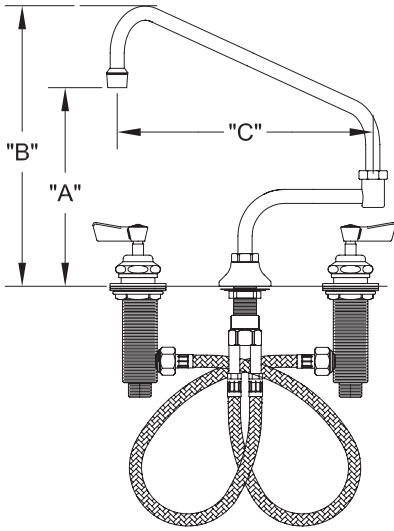
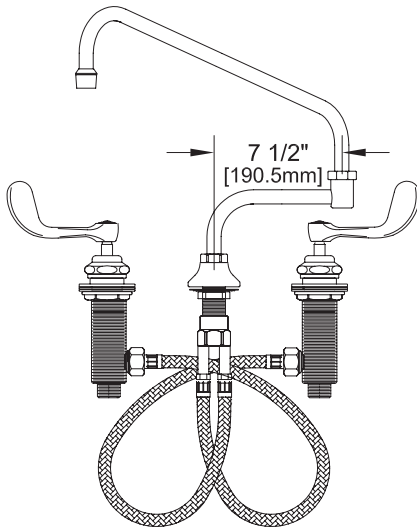


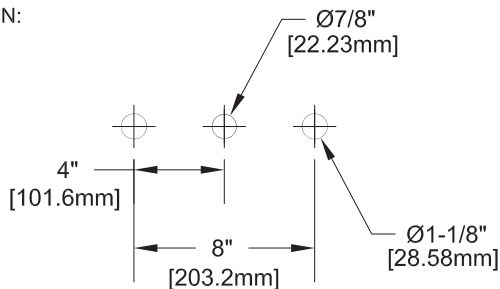
WIDESPREAD FAUCET W/ LEVER HANDLES



WIDESPREAD W/ WRIST HANDLES



ROUGH-IN:



PRODUCT NAME:  
STAINLESS STEEL  
WIDESPREAD FAUCET

MODEL:

- 59218 W/ 6" SWING SPOUT W/ 7" DJ & LEVER HANDLES
- 59226 W/ 8" SWING SPOUT W/ 7" DJ & LEVER HANDLES
- 59234 W/ 10" SWING SPOUT W/ 7" DJ & LEVER HANDLES
- 59242 W/ 12" SWING SPOUT W/ 7" DJ & LEVER HANDLES
- 59250 W/ 14" SWING SPOUT W/ 7" DJ & LEVER HANDLES
- 59269 W/ 16" SWING SPOUT W/ 7" DJ & LEVER HANDLES
- 59390 W/ 6" SWING SPOUT W/ 7" DJ & WRIST HANDLES
- 59404 W/ 8" SWING SPOUT W/ 7" DJ & WRIST HANDLES
- 59412 W/ 10" SWING SPOUT W/ 7" DJ & WRIST HANDLES
- 59420 W/ 12" SWING SPOUT W/ 7" DJ & WRIST HANDLES
- 59439 W/ 14" SWING SPOUT W/ 7" DJ & WRIST HANDLES
- 59447 W/ 16" SWING SPOUT W/ 7" DJ & WRIST HANDLES

FEATURES

CONTROL VALVE

- \* WIDESPREAD DECK
- \* STAINLESS STEEL CONSTRUCTION
- \* SWIVELLING SEAT DISKS
- \* HOT SIDE STEM - RIGHT HAND
- \* COLD SIDE STEM - LEFT HAND
- \* LEVER HANDLES OR WRIST HANDLES
- \* SWING SPOUT

SYSTEM LIMITS

- \* TEMP: 40°F MIN. TO 140°F MAX.
- \* PRESSURE 200 PSI MAX. STATIC
- \* 2.20 GPM @ 60 PSI

SHIPPING WEIGHT

- \* 6.0 LBS

- \* NSF 61-9 APPROVED & LISTED
- [www.truesdail.com](http://www.truesdail.com)

MODELS	DIM "A"	DIM "B"	DIM "C"
59218 59390	5-1/4" [133.35mm]	8-7/8" [225.42mm]	6" [152mm]
59226 59404	5-15/16" [150.81mm]	9-9/16" [242.89mm]	8" [204mm]
59234 59412	6-9/16" [166.69mm]	10-3/16" [258.76mm]	10" [254mm]
59242 59420	7-1/4" [184.15mm]	10-7/8" [276.22mm]	12" [305mm]
59250 59439	7-13/16" [198.44mm]	11-7/16" [290.51mm]	14" [356mm]
59269 59447	8-1/2" [215.9mm]	12-1/16" [306.39mm]	16" [406mm]

**FISHER**

FISHER MANUFACTURING COMPANY

TOLL FREE: 800-421-6162 - FAX: 800-832-8238

information@fisher-mfg.com - www.fisher-mfg.com

ANSI/A112.18.1-2005