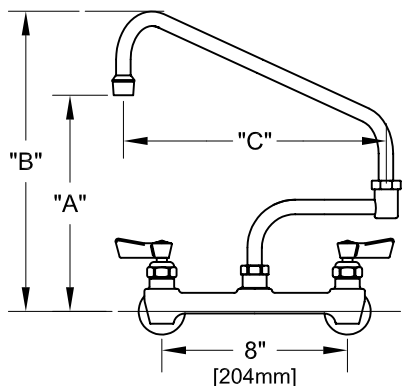
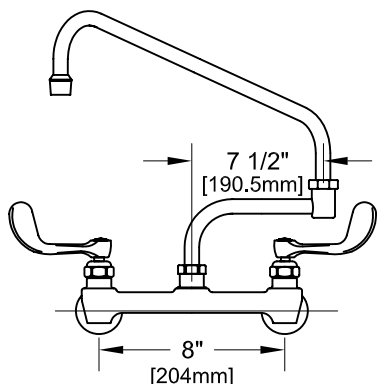


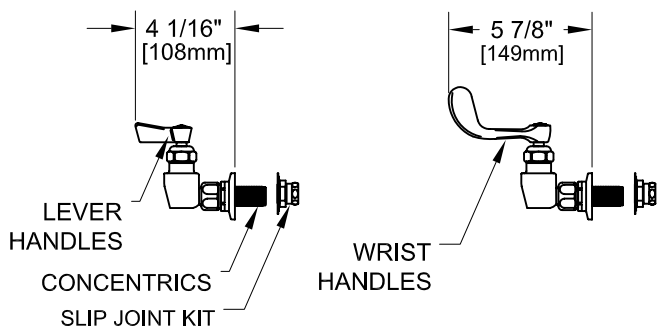
8" C/C BACKSPLASH FAUCET W/ LEVER HANDLES



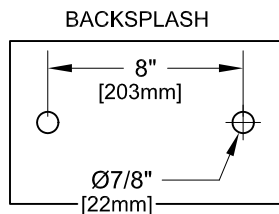
8" C/C BACKSPLASH FAUCET W/ WRIST HANDLES



8" C/C BACKSPLASH FAUCET



ROUGH-IN:



ANSI/A112.18.1-2005

PRODUCT NAME: STAINLESS STEEL
8" C/C BACKSPLASH FAUCET

MODEL:

- 61166 W/ 6" SWING SPOUT W/ 7" DJ & LEVER HANDLES
- 61034 W/ 8" SWING SPOUT W/ 7" DJ & LEVER HANDLES
- 60895 W/ 10" SWING SPOUT W/ 7" DJ & LEVER HANDLES
- 60755 W/ 12" SWING SPOUT W/ 7" DJ & LEVER HANDLES
- 60623 W/ 14" SWING SPOUT W/ 7" DJ & LEVER HANDLES
- 60496 W/ 16" SWING SPOUT W/ 7" DJ & LEVER HANDLES
- 61174 W/ 6" SWING SPOUT W/ 7" DJ & WRIST HANDLES
- 61042 W/ 8" SWING SPOUT W/ 7" DJ & WRIST HANDLES
- 60909 W/ 10" SWING SPOUT W/ 7" DJ & WRIST HANDLES
- 60763 W/ 12" SWING SPOUT W/ 7" DJ & WRIST HANDLES
- 60631 W/ 14" SWING SPOUT W/ 7" DJ & WRIST HANDLES
- 60518 W/ 16" SWING SPOUT W/ 7" DJ & WRIST HANDLES

FEATURES

CONTROL VALVE

- * 8" C/C BACKSPLASH MOUNT
- * CONCENTRICS
- * STAINLESS STEEL CONSTRUCTION
- * SWIVELLING SEAT DISKS
- * HOT SIDE STEM - RIGHT HAND
- * COLD SIDE STEM - LEFT HAND
- * LEVER HANDLES OR WRIST HANDLES
- * SWING SPOUT

SYSTEM LIMITS

- * TEMP: 40°F MIN. TO 140°F MAX.

SHIPPING WEIGHT

- * 6.0 LBS

- * NSF 61-9 APPROVED & LISTED
- www.truesdail.com

MODELS	DIM "A"	DIM "B"	DIM "C"
61166 61174	5-3/4" [146.05mm]	9-3/8" [244.48mm]	6" [152mm]
61034 61042	6-7/16" [163.51mm]	10-1/16" [255.58mm]	8" [204mm]
60895 60909	7-1/16" [179.38mm]	10-11/16" [271.46mm]	10" [254mm]
60755 60763	7-3/4" [196.85mm]	11-3/8" [295.27mm]	12" [305mm]
60623 60631	8-5/16" [211mm]	11-15/16" [303.21mm]	14" [356mm]
60496 60518	9" [228.6mm]	12-9/16" [319.08mm]	16" [406mm]

FISHER
FISHER MANUFACTURING COMPANY
TOLL FREE: 800-421-6162 - FAX: 800-832-8238
information@fisher-mfg.com - www.fisher-mfg.com