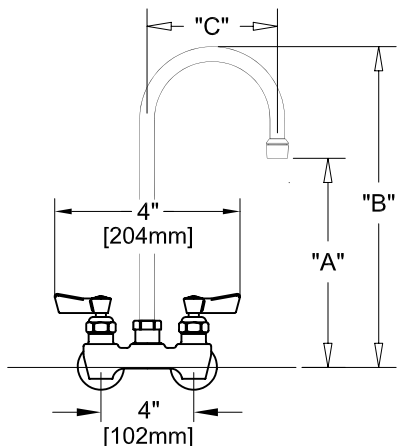
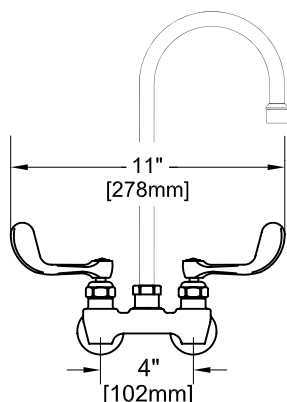


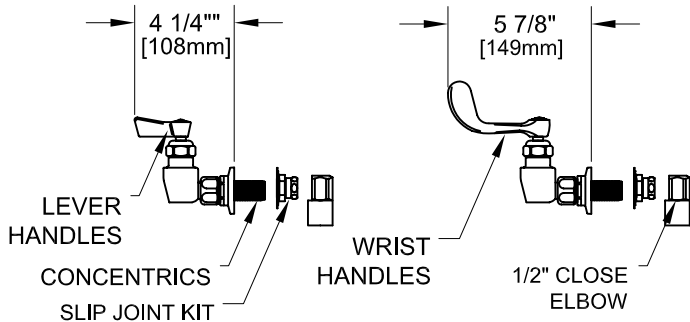
4" BACKSPLASH FAUCET W/ LEVER HANDLES



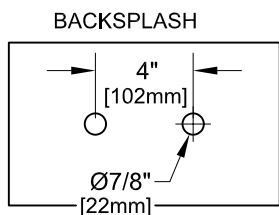
4" BACKSPLASH FAUCET W/ WRIST HANDLES



4" C/C BACKSPLASH FAUCET



ROUGH-IN:



ANSI/A112.18.1-2005

PRODUCT NAME:

STAINLESS STEEL 4" BACKSPLASH FAUCET WITH SWIVEL / RIGID GOOSENECK SPOUT WITH ELBOWS

MODEL:

- 62642 W/ 6" SWIVEL/RIGID GOOSENECK SPOUT W/ LEVER HANDLES
- 62480 W/ 12" SWIVEL/RIGID GOOSENECK SPOUT W/ LEVER HANDLES
- 62650 W/ 6" SWIVEL/RIGID GOOSENECK SPOUT W/ WRIST HANDLES
- 62499 W/ 12" SWIVEL/RIGID GOOSENECK SPOUT W/ WRIST HANDLES

FEATURES

CONTROL VALVE

- * 4" C/C BACKSPLASH MOUNT
- * CONCENTRICS
- * STAINLESS STEEL CONSTRUCTION
- * SWIVELLING SEAT DISKS
- * HOT SIDE STEM - RIGHT HAND
- * COLD SIDE STEM - LEFT HAND
- * LEVER HANDLES OR WRIST HANDLES
- * 1/2" CLOSE ELBOWS
- * GOOSENECK SPOUT

SYSTEM LIMITS

- * TEMP: 40°F MIN. TO 140°F MAX.

SHIPPING WEIGHT

- * 5.0 LBS

* NSF 61-9 APPROVED & LISTED

www.truesdail.com

MODELS	DIM "A"	DIM "B"	DIM "C"
62642	4-1/2"	8-1/16"	3-1/2"
62650	[114.3mm]	[204.8mm]	[88.90mm]
62480	8-1/4"	12-1/4"	5-1/2"
62499	[209.6mm]	[311.2mm]	[139.7mm]

FISHER

FISHER MANUFACTURING COMPANY

TOLL FREE: 800-421-6162 - FAX: 800-832-8238

information@fisher-mfg.com - www.fisher-mfg.com