

APPLICATION:

PRODUCT NAME:
DECK FLANGE

JOB NAME:

SPECIAL CONFIGURATION
CHECK BASE MODEL AND OPTIONS

QUANTITY:

ITEM NO.

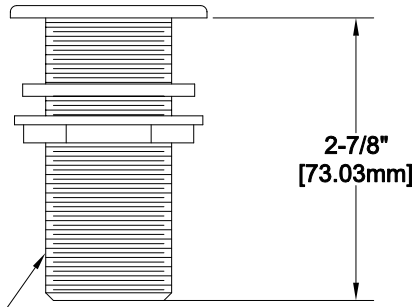
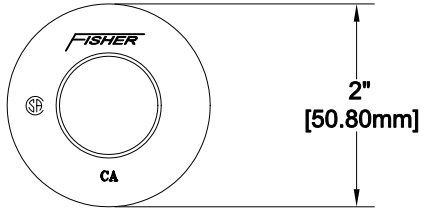
MODEL:
 6343

OPTIONS OR MODIFICATIONS:
 OTHER _____

FEATURES:
* POLISHED CHROME FINISH

SYSTEM LIMITS
* TEMP: 40°F MIN. TO 140°F MAX.
* PRESSURE 100 PSI MAX. STATIC

SHIPPING WEIGHT
* 0.5 LBS



1" NPS
MALE

ROUGH-IN:

