

APPLICATION:

JOB NAME:

QUANTITY: ITEM NO.

PRODUCT NAME:
8" C/C BACKSPLASH FAUCET WITH EZ INSTALL ADAPTER

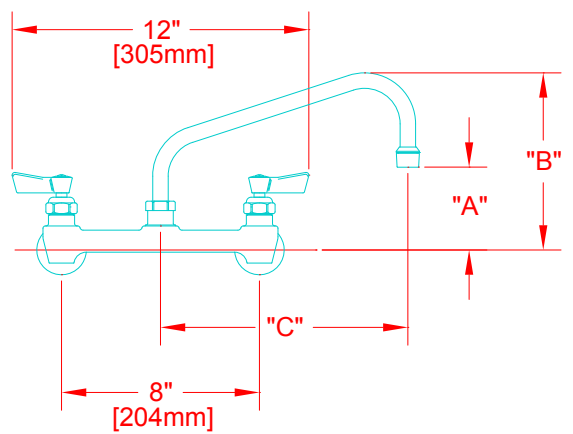
SPECIAL CONFIGURATION
 CHECK BASE MODEL AND OPTIONS

MODEL:

- 64734 W/ 6" SWING SPOUT
- 64742 W/ 8" SWING SPOUT
- 64750 W/ 10" SWING SPOUT
- 64769 W/ 12" SWING SPOUT
- 64777 W/ 14" SWING SPOUT
- 64785 W/ 16" SWING SPOUT

OPTIONS OR MODIFICATIONS:

- SUPPLY LINES (24" OR 36") CIRCLE LENGTH
- DJ SUB-ASSY (7-1/4" OR 13") CIRCLE LENGTH
- ELBOWS
- VANDAL RESISTANT KIT
- HANDLES (CROSS OR WRIST) CIRCLE STYLE
- OTHER EZ INSTALL ADAPTER



| MODEL | DIM "A" | DIM "B" | DIM "C" |
|-------|----------------|----------------|-------------|
| 64734 | 2-1/4" [57mm] | 5-7/8" [149mm] | 6" [152mm] |
| 64742 | 2-1/2" [64mm] | 6-3/8" [162mm] | 8" [204mm] |
| 64750 | 3-1/8" [79mm] | 6-7/8" [175mm] | 10" [254mm] |
| 64769 | 3-3/4" [95mm] | 7-3/8" [187mm] | 12" [305mm] |
| 64777 | 4-3/8" [111mm] | 8-1/4" [210mm] | 14" [356mm] |
| 64785 | 5" [127mm] | 8-7/8" [225mm] | 16" [406mm] |

FEATURES

CONTROL VALVE

- * 8" C/C BACKSPLASH MOUNT
- * SWIVELLING SEAT DISKS
- * HOT SIDE STEM - RIGHT HAND
- * COLD SIDE STEM - LEFT HAND
- * STAINLESS STEEL SEATS
- * STAINLESS STEEL SEAT SCREWS
- * STAINLESS STEEL HANDLE SCREWS
- * 1/2" SLIP JOINT

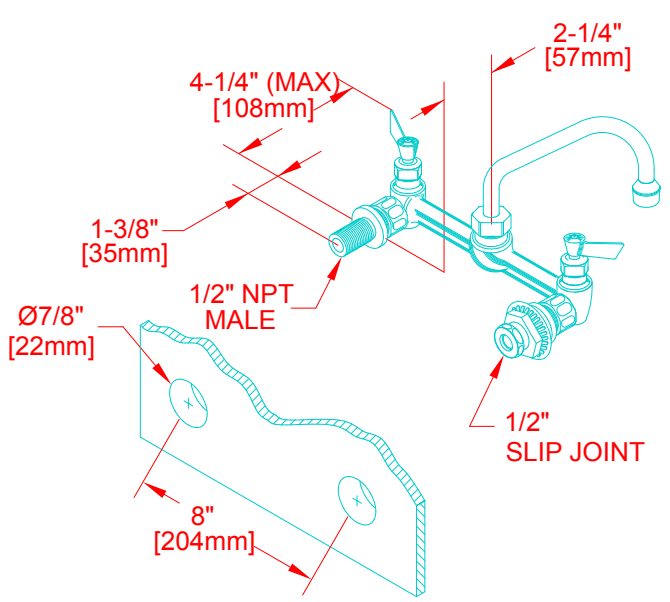
SYSTEM LIMITS

- * TEMP: 40°F MIN. TO 140°F MAX.
- * PRESSURE: 200 PSI MAX. STATIC
- * 2.20 GPM AT 80 PSI

SHIPPING WEIGHT

- * 6.0 LBS

ROUGH-IN:



FISHER
 FISHER MANUFACTURING COMPANY
 TOLL FREE: 800-421-6162 - FAX: 800-832-8238
 information@fisher-mfg.com - www.fisher-mfg.com