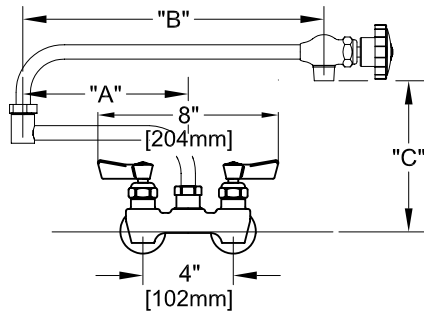
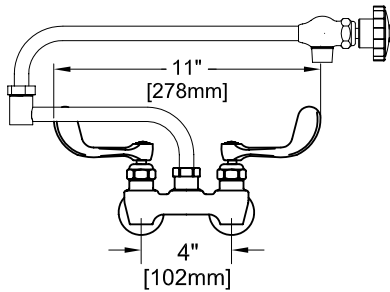


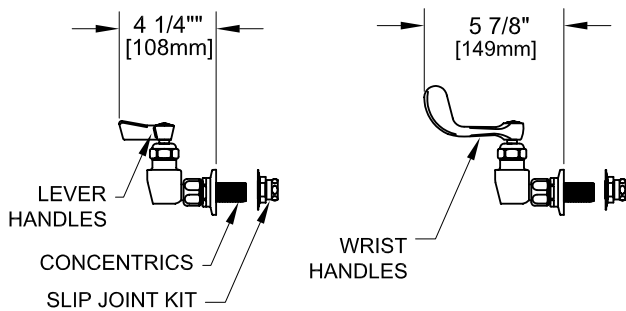
4" BACKSPASH FAUCET W/ LEVER HANDLES



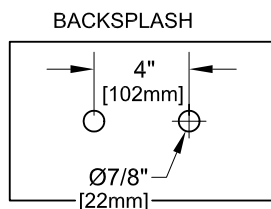
4" BACKSPASH FAUCET W/ WRIST HANDLES



4" C/C BACKSPASH FAUCET



ROUGH-IN:



PRODUCT NAME:

STAINLESS STEEL 4" BACKSPASH FAUCET WITH 12" CONTROL SWING & DJ SPOUT

MODEL:

- 66273 W/ 12" CONTROL SWING SPOUT, 7" DJ W/ LEVER HANDLES
- 66351 W/ 12" CONTROL SWING SPOUT, 12" DJ W/ LEVER HANDLES
- 66311 W/ 12" CONTROL SWING SPOUT, 7" DJ W/ WRIST HANDLES
- 66389 W/ 12" CONTROL SWING SPOUT, 12" DJ W/ WRIST HANDLES

FEATURES

CONTROL VALVE

- * 4" C/C BACKSPASH
- * CONCENTRICS
- * STAINLESS STEEL CONSTRUCTION
- * SWIVELLING SEAT DISKS
- * HOT SIDE STEM - RIGHT HAND
- * COLD SIDE STEM - LEFT HAND
- * LEVER HANDLES OR WRIST HANDLES
- * CONTROL SWING SPOUT

SYSTEM LIMITS

- * TEMP: 40°F MIN. TO 140°F MAX.
- * 5 GPM @ 60 PSI

SHIPPING WEIGHT

- * 6.0 LBS

* NSF 61-9 APPROVED & LISTED

www.truesdail.com

MODELS	DIM "A"	DIM "B"	DIM "C"
66273 66311	7" [177.8mm]	12 1/2" [317.5mm]	7 1/2" [190.5mm]
66354 66389	12" [308.4mm]	12 1/2" [317.5mm]	7 1/2" [190.5mm]

FISHER

FISHER MANUFACTURING COMPANY

TOLL FREE: 800-421-6162 - FAX: 800-832-8238

information@fisher-mfg.com - www.fisher-mfg.com

ANSI/A112.18.1-2005