

PRODUCT NAME:
STAINLESS STEEL
8" BACKSPASH PRE-RINSE

MODEL:
 67989 8" BACKSPASH PRI-RINSE W/ LEVER HANDLES
 74268 8" BACKSPASH PRI-RINSE W/ WRIST HANDLES

FEATURES

CONTROL VALVE
 * 8" C/C BACKSPASH MOUNT
 * CONCENTRICS
 * INTERNAL SPRING LOADED CHECK VALVES
 * SWIVELLING SEAT DISKS
 * HOT SIDE STEM - RIGHT HAND
 * COLD SIDE STEM - LEFT HAND
 * STAINLESS STEEL SEATS
 * STAINLESS STEEL SEAT SCREWS
 * STAINLESS STEEL HANDLE SCREWS

HOSE
 * 36" LENGTH
 * STAINLESS STEEL END FITTINGS
 * STAINLESS STEEL EXTERNAL JACKET
 * 3 PLY FIBER REINFORCED INTERNAL RUBBER HOSE
 * REPAIRABLE IN FIELD WITH SIMPLE TOOLS

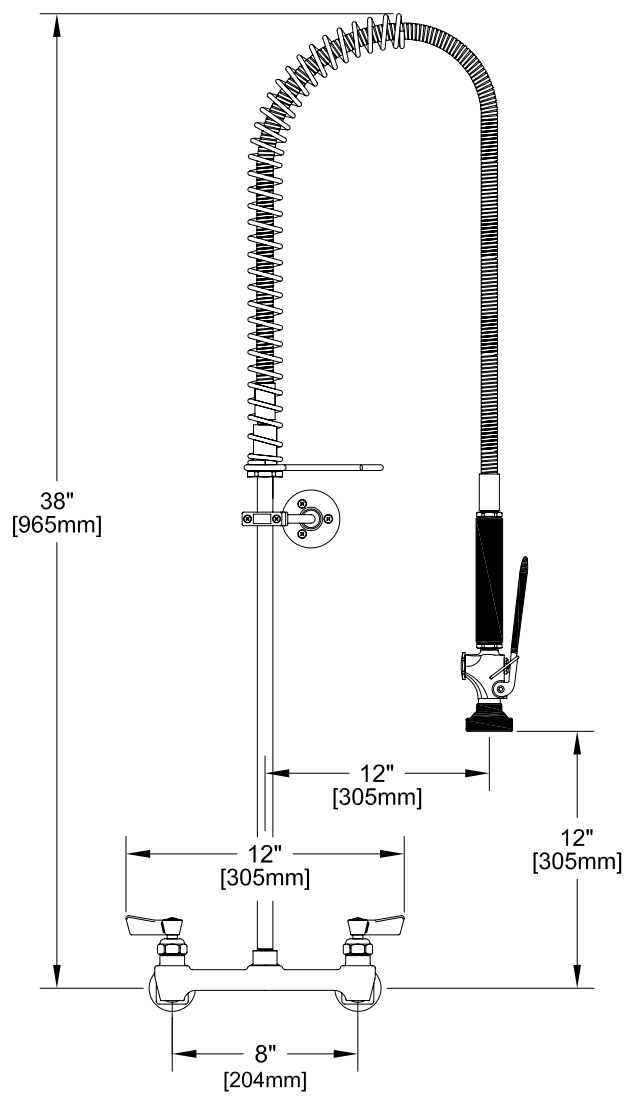
ULTRA SPRAY VALVE
 * LOWEST ENERGY USER - 1.15 GPM @ 60 PSI
 * CLEANS FASTER - TEST PROVEN
 * ENGINEERED TO LAST - NO 'O' RINGS TO LEAK
 * INTERCHANGEABLE - FITS ALL BRANDS

WALL BRACKET
 * ADJUSTS FROM 2" TO 12"

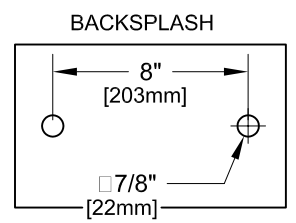
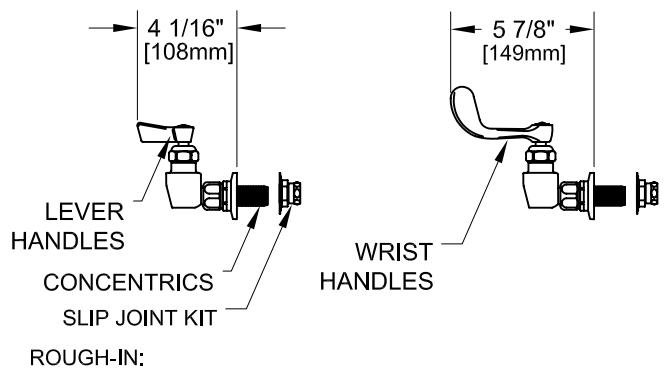
SYSTEM LIMITS
 * TEMP: 40°F MIN. TO 140°F MAX.
 * PRESSURE: 200 PSI MAX. STATIC

SHIPPING WEIGHT
 * 12.0 LBS

* NSF 61-9 APPROVED & LISTED
www.truedail.com



8" C/C BACKSPASH FAUCET



ANSI/A112.18.1-2005

FISHER
 FISHER MANUFACTURING COMPANY
 TOLL FREE: 800-421-6162 - FAX: 800-832-8238
information@fisher-mfg.com - www.fisher-mfg.com