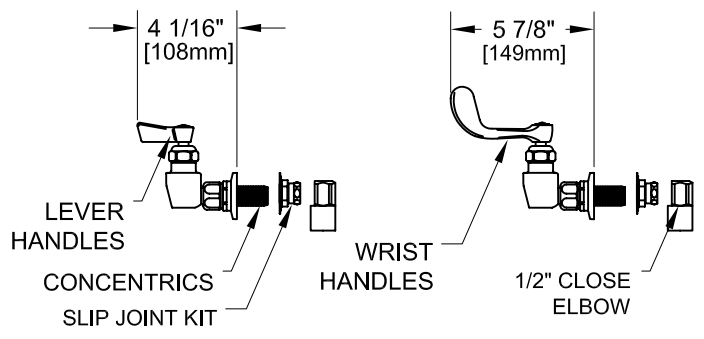
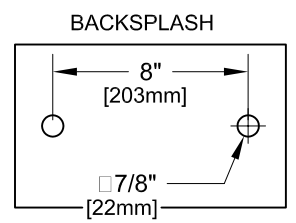


8" C/C BACKSPASH FAUCET



ROUGH-IN:



PRODUCT NAME: STAINLESS STEEL  
8" BACKSPASH PRE-RINSE WITH  
ADD-ON & ELBOWS

MODEL:

- 68152 6" SWING SPOUT W/ LEVER HANDLES
- 68160 8" SWING SPOUT W/ LEVER HANDLES
- 68179 10" SWING SPOUT W/ LEVER HANDLES
- 68187 12" SWING SPOUT W/ LEVER HANDLES
- 68195 14" SWING SPOUT W/ LEVER HANDLES
- 68209 16" SWING SPOUT W/ LEVER HANDLES
- 74721 6" SWING SPOUT W/ WRIST HANDLES
- 74748 8" SWING SPOUT W/ WRIST HANDLES
- 74756 10" SWING SPOUT W/ WRIST HANDLES
- 74764 12" SWING SPOUT W/ WRIST HANDLES
- 74772 14" SWING SPOUT W/ WRIST HANDLES
- 74780 16" SWING SPOUT W/ WRIST HANDLES

FEATURES:

CONTROL VALVE

- \* 8" C/C BACKSPASH MOUNT
- \* CONCENTRICS
- \* INTERNAL SPRING LOADED CHECK VALVES
- \* SWIVELLING SEAT DISKS
- \* HOT SIDE STEM - RIGHT HAND
- \* COLD SIDE STEM - LEFT HAND
- \* STAINLESS STEEL SEATS
- \* STAINLESS STEEL SEAT SCREWS
- \* STAINLESS STEEL HANDLE SCREWS
- \* 1/2" CLOSE ELBOWS

ADD-ON CONTROL VALVE

- \* STEM - RIGHT HAND SWIVEL
- \* HOT INDEX BUTTON
- \* SWIVELLING SEAT DISKS
- \* STAINLESS STEEL SEATS, SEAT SCREWS AND HANDLE SCREWS.

HOSE

- \* 36" LENGTH
- \* STAINLESS STEEL END FITTINGS
- \* STAINLESS STEEL EXTERNAL JACKET
- \* 3-PLY FIBER REINFORCED INTERNAL RUBBER HOSE
- \* REPAIRABLE IN FIELD WITH SIMPLE TOOLS

ULTRA SPRAY VALVE

- \* LOWEST ENERGY USER - 1.15 GPM @ 60 PSI
- \* CLEANS FASTER - TEST PROVEN
- \* ENGINEERED TO LAST - NO 'O' RINGS TO LEAK
- \* INTERCHANGEABLE - FITS ALL BRANDS

WALL BRACKET

- \* ADJUSTS FROM 2" TO 12"

SYSTEM LIMITS

- \* TEMP: 40°F MIN. TO 140°F MAX. STATIC
- \* PRESSURE 200 PSI MAX. STATIC
- \* SHIPPING WEIGHT: 15.0 LBS

\* NSF 61-9 APPROVED & LISTED  
www.truesdail.com



FISHER MANUFACTURING COMPANY  
TOLL FREE: 800-421-6162 - FAX: 800-832-8238  
information@fisher-mfg.com - www.fisher-mfg.com