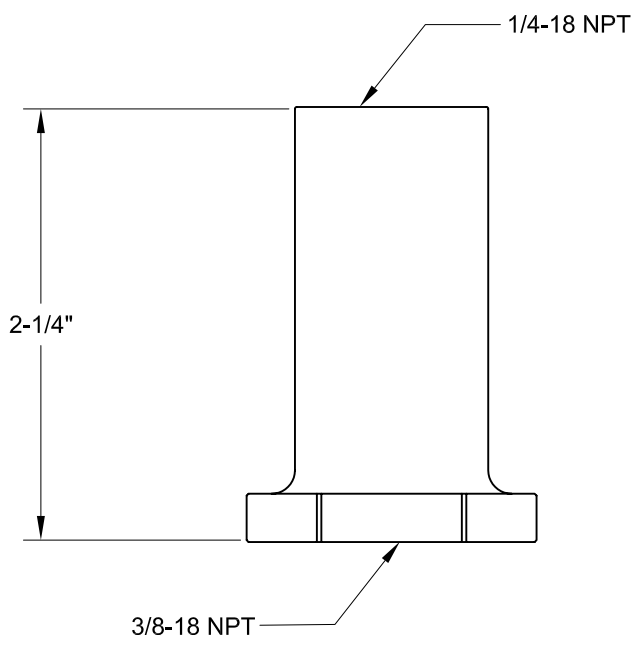


PRODUCT NAME:  
STAINLESS STEEL  
PIPE TO HOSE ADAPTER

MODEL:  
 70696

FEATURES  
SHIPPING WEIGHT  
\* 0.5 LBS  
\* NSF 61-9 APPROVED & LISTED  
[www.truesdail.com](http://www.truesdail.com)



ANSI/A112.18.1-2005

**FISHER**  
FISHER MANUFACTURING COMPANY  
TOLL FREE: 800-421-6162 - FAX: 800-832-8238  
[information@fisher-mfg.com](mailto:information@fisher-mfg.com) - [www.fisher-mfg.com](http://www.fisher-mfg.com)