

APPLICATION:

PRODUCT NAME:
ULTRA SPRAY VALVE

JOB NAME:

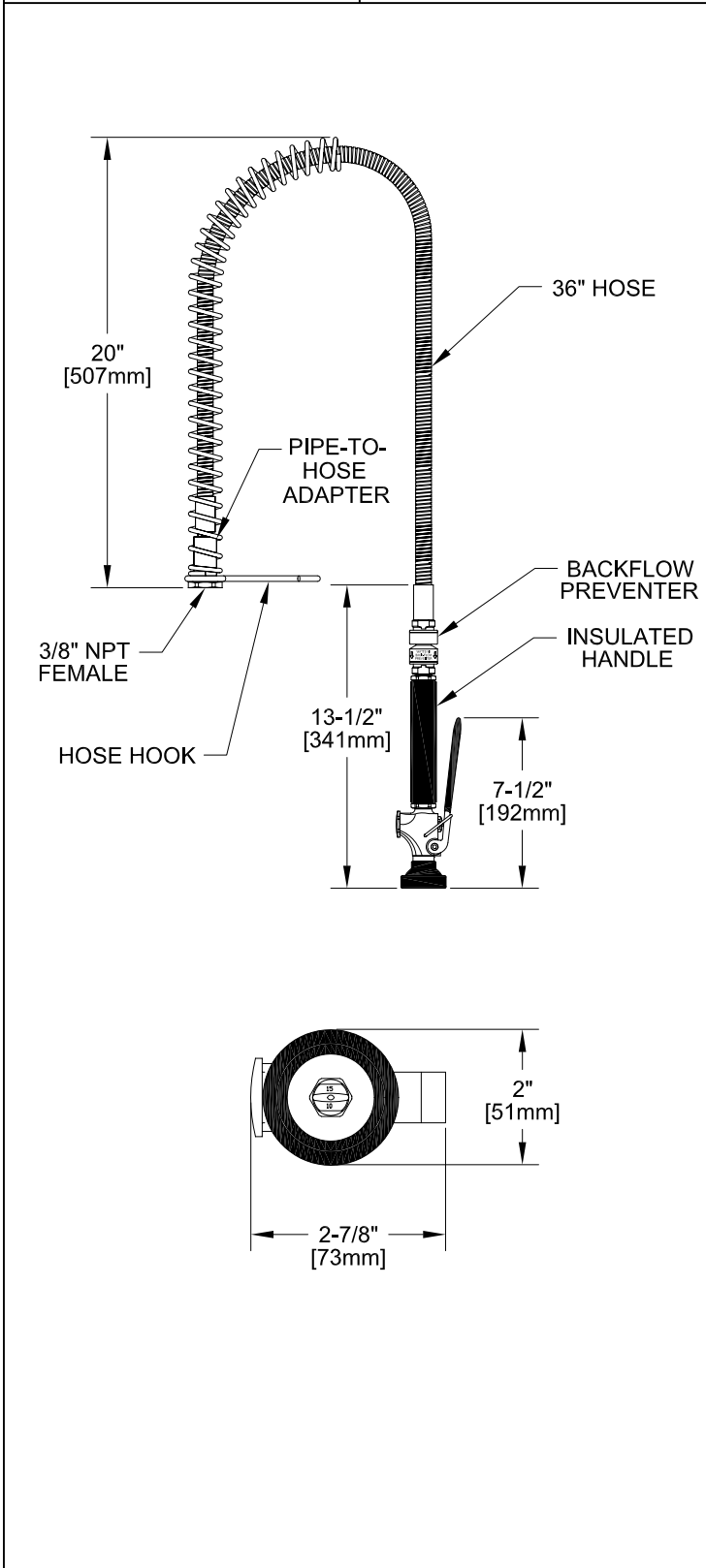
SPECIAL CONFIGURATION
 CHECK BASE MODEL AND OPTIONS

QUANTITY:

ITEM NO.

MODEL:
 80144 PRE-RINSE SUB-ASSY RETRO-FIT KIT

OPTIONS OR MODIFICATIONS:
 OTHER _____



FEATURES

PIPE TO HOSE ADAPTER
* 3/8" NPT FEMALE INLET - FITS ALL BRANDS


HOSE
* 36" LENGTH
* STAINLESS STEEL END FITTINGS
* STAINLESS STEEL EXTERNAL JACKET
* 3 PLY FIBER REINFORCED INTERNAL RUBBER HOSE
* REPAIRABLE IN FIELD WITH SIMPLE TOOLS

IN-LINE DUAL CHECK VALVE
* ATMOSPHERIC VENT
* DOUBLE CHECK DESIGN

ULTRA SPRAY VALVE
* 1.6 GPM @ 80 PSI ENERGY EFFICIENT NOZZLE
* BRONZE HANDLE - NOT PLASTIC - MEANS FULL "ON"
* FITS ALL BRANDS

SYSTEM LIMITS
* TEMP: 40°F MIN. TO 140°F MAX.
* PRESSURE: 200 PSI MAX. STATIC

SHIPPING WEIGHT
* 6.0 LBS

 ANSI/A112.18.1M

FISHER
FISHER MANUFACTURING COMPANY
TOLL FREE: 800-421-6162 - FAX: 800-832-8238
information@fisher-mfg.com - www.fisher-mfg.com