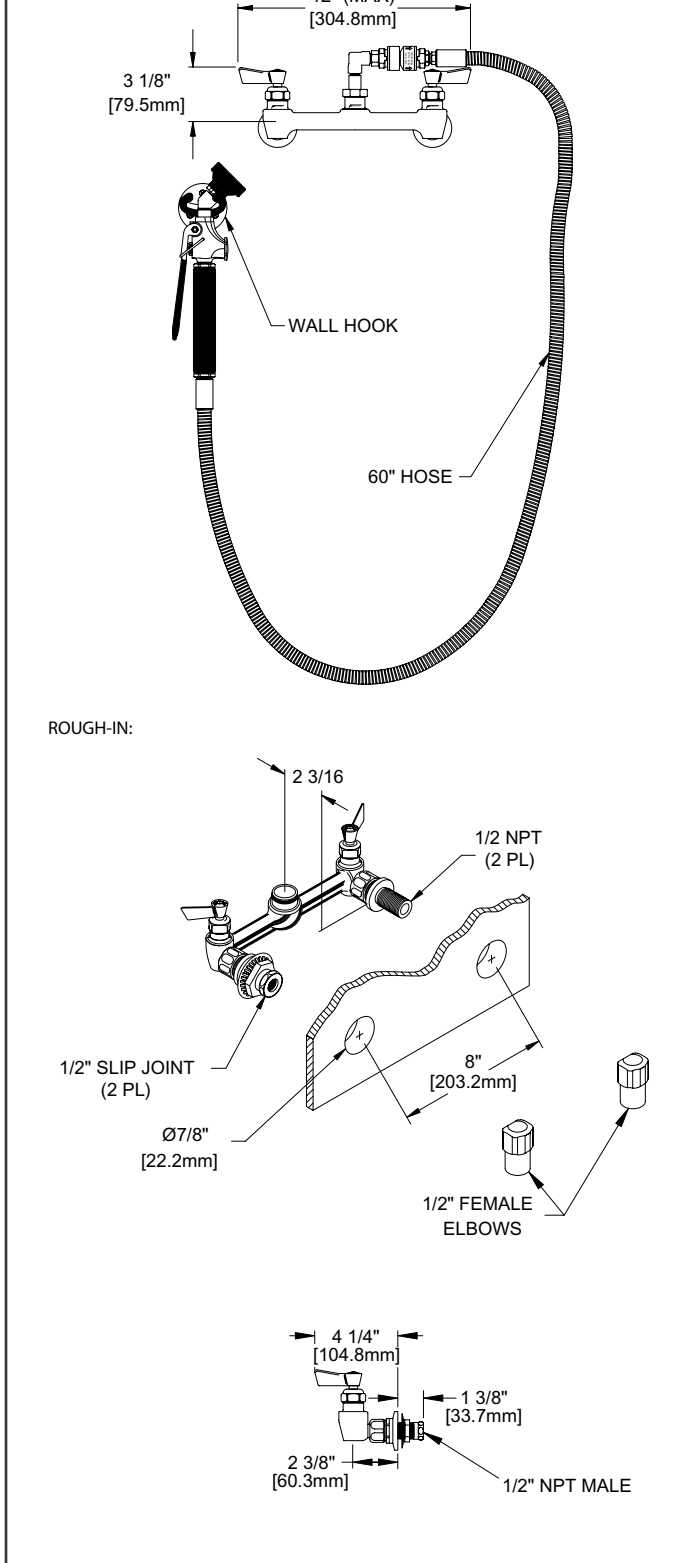


APPLICATION: PRODUCT NAME:  
8" C/C BACKSPASH FAUCET

JOB NAME:  SPECIAL CONFIGURATION  
(CHECK BASE MODEL AND OPTIONS)

QUANTITY: ITEM NO. MODEL:  
 80381



- SUPPLY LINES (24" OR 36") CIRCLE LENGTH
- ADD-ON FAUCET (6",8",10",12",14",16") CIRCLE
- BACKFLOW PREVENTER
- PIPE HOOK
- NIPPLES
- ELBOWS
- BRUSH
- VANDAL RESISTANT KIT
- HANDLES (CROSS OR WRIST) CIRCLE STYLE
- OTHER \_\_\_\_\_

FEATURES:

- \* 8" C/C BACKSPASH MOUNT
- \* INTERNAL SPRING LOADED CHECK VALVES
- \* SWIVELING SEAT DISKS
- \* HOT SIDE STEM - RIGHT HAND
- \* COLD SIDE STEM - LEFT HAND
- \* STAINLESS STEEL SEATS
- \* STAINLESS STEEL SEAT SCREWS
- \* STAINLESS STEEL HANDLE SCREWS
- \* 1/2" SLIP JOINT

SWIVEL ELBOW  
\* 360° TURNING RADIUS

HOSE  
\* 60" LENGTH  
\* STAINLESS STEEL END FITTINGS  
\* STAINLESS STEEL EXTERNAL JACKET  
\* 3 PLY FIBER REINFORCED INTERNAL RUBBER HOSE

UTILITY SPRAY VALVE  
\* NOZZLE THREADED INTO VALVE  
\* 2.65 GPM AT 80 PSI  
\* SHOWER SPRAY PATTERN  
\* 45° ANGLED HEAD

SYSTEM LIMITS  
\* TEMP: 40°F MIN. TO 140°F MAX.  
\* PRESSURE 200 PSI MAX. STATIC

SHIPPING WEIGHT  
\* 8.0 LBS