

APPLICATION:

PRODUCT NAME:

POT FILLER 3/4" ADJ. WALL MOUNT WITH SHUT OFF VALVE

JOB NAME:

■ 80578 SPECIAL CONFIGURATION (CHECK BASE MODEL AND OPTIONS)

QUANTITY:

ITEM NO.

MODEL:

■ 2305

OPTIONS OR MODIFICATIONS

- VANDAL RESISTANT KIT
- HANDLES (CROSS OR WRIST) CIRCLE STYLE
- NIPPLES
- ELBOWS
- SWIVEL HOSE ADAPTER
- OTHER _____

FEATURES:

CONTROL VALVE

- * 3/4" ADJUSTABLE WALL MOUNT
- * SWIVEL OUTLET
- * ECCENTRICS ADJUST FROM 7 1/2" TO 8 1/2"
- * INTERNAL SPRING LOADED CHECK VALVES
- * SWIVELLING SEAT DISKS
- * HOT SIDE STEM - RIGHT HAND
- * COLD SIDE STEM - LEFT HAND
- * STAINLESS STEEL SEATS
- * STAINLESS STEEL SEAT SCREWS
- * STAINLESS STEEL HANDLE SCREWS
- * 3/4" F NPT INLETS

HOSE

- * 72" LENGTH HEAD MASTER FDA NITRILE/ARAMID
- * NSF-52 (100 PSI W.P. AT 300°F CONSTANT)
- * REMOVABLE END FITTINGS AND BUMPER
- * 360° SWIVEL

POT FILLER SPOUT

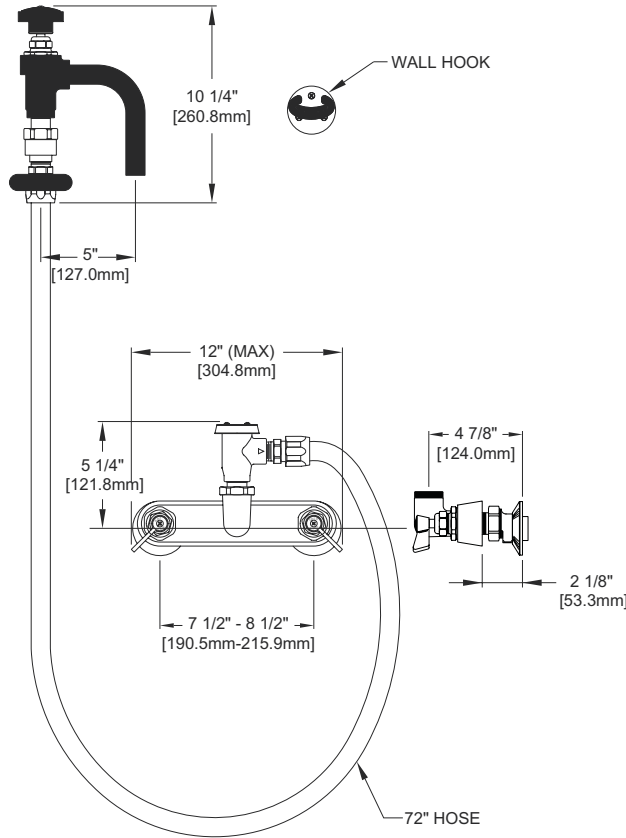
- * NON-MARRING SPOUT
- * SHUT OFF VALVE
- * 360° SWIVEL ELBOW

SYSTEM LIMITS

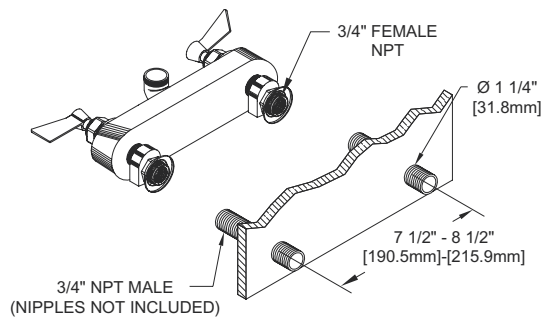
- * TEMP: 40°F MIN. TO 140°F MAX.
- * PRESSURE 200 PSI MAX. STATIC
- * 37 GPM AT 80 PSI

SHIPPING WEIGHT

- * 15.0 LBS



ROUGH-IN:



ANSI/A112.18.1M

FISHER

FISHER MANUFACTURING COMPANY
 TOLL FREE: 800-421-6162 - FAX: 800-832-8238
 information@fisher-mfg.com - www.fisher-mfg.com