

APPLICATION:

PRODUCT NAME:
**SDDC PRE-RINSE SPRING STYLE WITH
 WALL BRACKET & ADD-ON FAUCET**

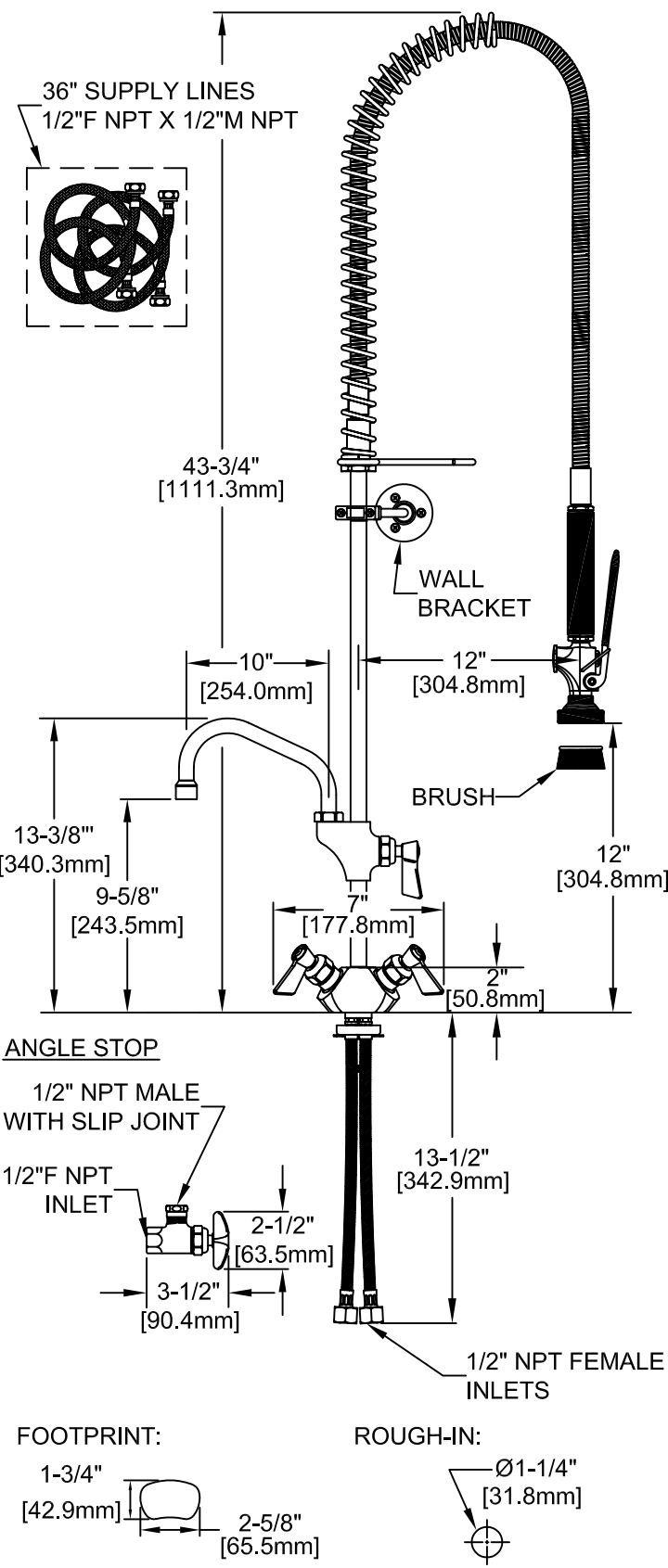
JOB NAME:

MODEL:
 □ 80888 WITH SUPPLY LINES, ANGLE STOPS
 & BRUSH

QUANTITY:

ITEM NO.:

FEATURES:



- MAIN CONTROL VALVE**
- * SINGLE DECK, DUAL CONTROL
 - * INTERNAL SPRING LOADED CHECK VALVES
 - * SWIVELING SEAT DISKS
 - * HOT SIDE STEM - RIGHT HAND CHECK
 - * COLD SIDE STEM - LEFT HAND CHECK
 - * STAINLESS STEEL SEATS
 - * STAINLESS STEEL SEAT SCREWS
 - * STAINLESS STEEL HANDLE SCREWS
 - * STAINLESS STEEL BRAIDED INLET HOSES INCLUDED

- ADD-ON CONTROL VALVE**
- * STEM - RIGHT HAND SWIVEL
 - * HOT INDEX BUTTON
 - * SWIVELING SEAT DISKS
 - * STAINLESS STEEL SEATS, SEAT SCREWS AND HANDLE SCREWS.

- HOSE**
- * 36" LENGTH
 - * STAINLESS STEEL END FITTINGS
 - * STAINLESS STEEL EXTERNAL JACKET
 - * 3-PLY FIBER REINFORCED INTERNAL RUBBER HOSE
 - * REPAIRABLE IN FIELD WITH SIMPLE TOOLS

- ULTRA SPRAY VALVE**
- * 1.6 GPM @ 80 PSI ENERGY EFFICIENT NOZZLE
 - * BRONZE HANDLE - NOT PLASTIC - MEANS FULL "ON"
 - * FITS ALL BRANDS

- WALL BRACKET**
- * ADJUSTS FROM 2" TO 12"

- ANGLE STOPS**
- * STEM - RIGHT HAND
 - * SWIVELING SEAT DISKS
 - * CROSS HANDLE TYPE
 - * HOT AND COLD INDEX BUTTONS
 - * STAINLESS STEEL SEATS
 - * STAINLESS STEEL SEAT SCREWS
 - * STAINLESS STEEL HANDLE SCREWS

- SYSTEM LIMITS**
- * TEMP: 40°F MIN. TO 140°F MAX. STATIC
 - * PRESSURE 200 PSI MAX. STATIC

- SHIPPING WEIGHT**
- * 21.5 LBS