

APPLICATION:

PRODUCT NAME:
**8" C/C BACKSPLASH PRE-RINSE SPRING
 STYLE WITH ADD-ON FAUCET, 10" SPOUT**

JOB NAME:

MODEL:

QUANTITY:

ITEM NO.:

□ 80918 WITH SUPPLY LINES, ELBOWS, ANGLE
 STOPS, WALL BRACKET & BRUSH

FEATURES:

MAIN CONTROL VALVE
 * 8" C/C BACKSPLASH
 * INTERNAL SPRING LOADED CHECK VALVES
 * SWIVELING SEAT DISKS
 * HOT SIDE STEM - RIGHT HAND CHECK
 * COLD SIDE STEM - LEFT HAND CHECK
 * STAINLESS STEEL SEATS
 * STAINLESS STEEL SEAT SCREWS
 * STAINLESS STEEL HANDLE SCREWS

ADD-ON CONTROL VALVE
 * 10" SWING SPOUT
 * STEM - RIGHT HAND SWIVEL
 * HOT INDEX BUTTON
 * SWIVELING SEAT DISKS
 * STAINLESS STEEL SEATS
 * STAINLESS STEEL SEAT SCREWS
 * STAINLESS STEEL HANDLE SCREWS

HOSE
 * 36" LENGTH
 * STAINLESS STEEL END FITTINGS
 * STAINLESS STEEL EXTERNAL JACKET
 * 3-PLY FIBER REINFORCED INTERNAL RUBBER HOSE

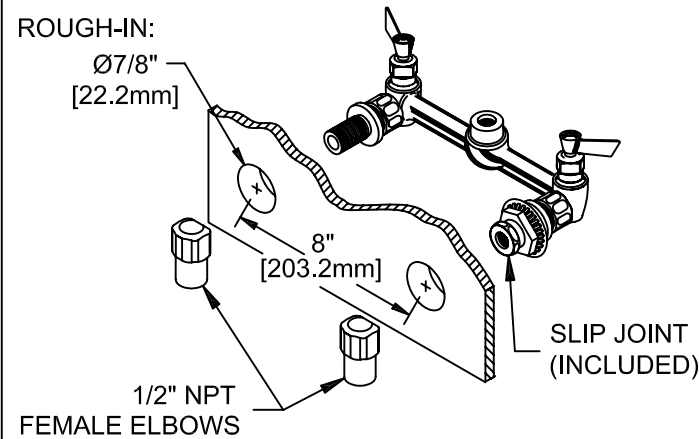
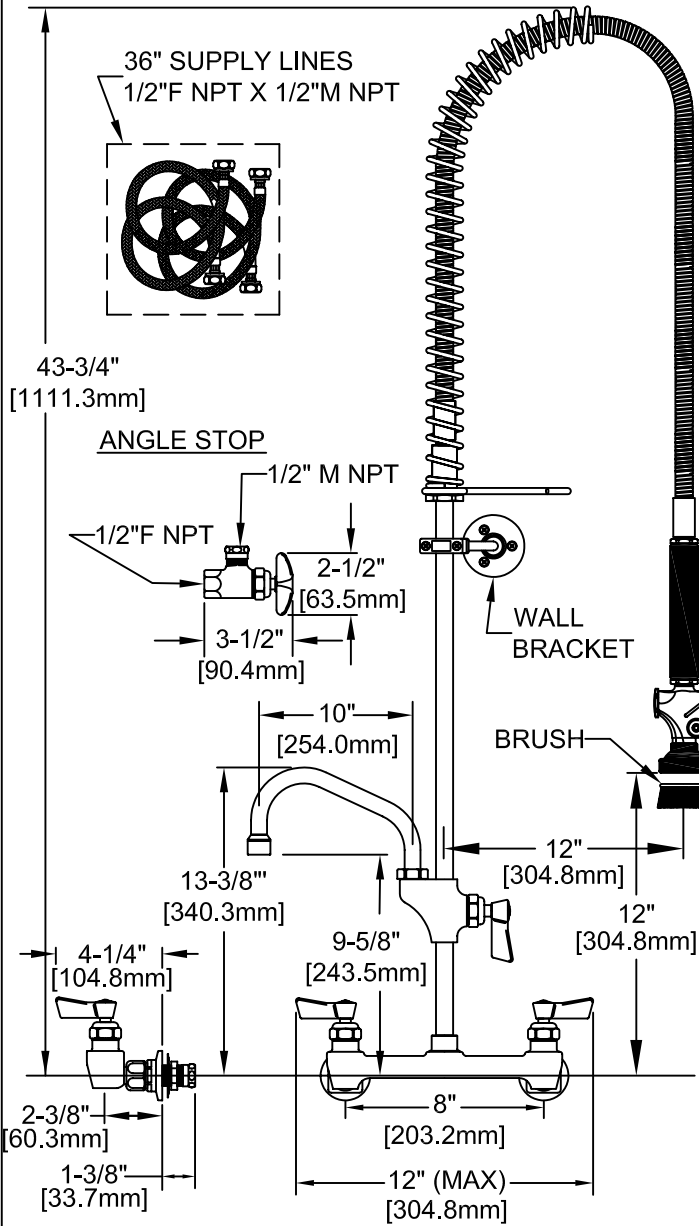
ULTRA SPRAY VALVE
 * 1.6 GPM @ 80 PSI ENERGY EFFICIENT NOZZLE
 * BRONZE HANDLE - NOT PLASTIC - MEANS
 FULL "ON"
 * FITS ALL BRANDS

WALL BRACKET
 * ADJUSTS FROM 2" TO 12"

ANGLE STOPS
 * STEM - RIGHT HAND
 * SWIVELING SEAT DISKS
 * CROSS HANDLE TYPE
 * HOT AND COLD INDEX BUTTONS
 * STAINLESS STEEL SEATS
 * STAINLESS STEEL SEAT SCREWS
 * STAINLESS STEEL HANDLE SCREWS

SYSTEM LIMITS
 * TEMP: 40°F MIN. TO 140°F MAX. STATIC
 * PRESSURE 200 PSI MAX. STATIC

SHIPPING WEIGHT
 * 21.0 LBS



ANSI/A112.18.1M, ANSI/NSF 61.9

FISHER

FISHER MANUFACTURING COMPANY
 TOLL FREE: 800-421-6162 - FAX: 800-832-8238
 information@fisher-mfg.com - www.fisher-mfg.com