

APPLICATION:

PRODUCT NAME:

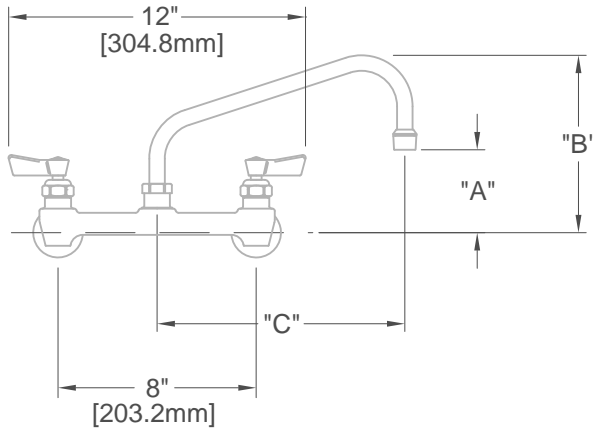
8" C/C BACKSPLASH FAUCET

JOB NAME:

SPECIAL CONFIGURATION
CHECK BASE MODEL AND OPTIONS

QUANTITY:

ITEM NO.



MODEL:

- 99795 W/ 6" SWING SPOUT
- 81604 W/ 8" SWING SPOUT
- 84654 W/ 10" SWING SPOUT
- 84824 W/ 12" SWING SPOUT
- 97675 W/ 14" SWING SPOUT
- 89753 W/ 16" SWING SPOUT

OPTIONS OR MODIFICATIONS:

- SUPPLY LINES (24" OR 36") CIRCLE LENGTH
- DJ SUB-ASSY (7-1/4" OR 13") CIRCLE LENGTH
- ELBOWS
- VANDAL RESISTANT KIT
- HANDLES (CROSS OR WRIST) CIRCLE STYLE
- OTHER _____

MODEL	DIM "A"	DIM "B"	DIM "C"
99759	2-1/4" [57.2mm]	5-7/8" [149.2mm]	6" [152.4mm]
81604	2-1/2" [63.5mm]	6-3/8" [161.9mm]	8" [203.2mm]
84654	3-1/8" [79.4mm]	6-7/8" [174.6mm]	10" [254.0mm]
84824	3-3/4" [95.3mm]	7-3/8" [187.3mm]	12" [304.8mm]
97675	4-3/8" [111.1mm]	8-1/4" [209.6mm]	14" [355.6mm]
89753	5" [127.0mm]	8-7/8" [225.4mm]	16" [406.4mm]

FEATURES:

- * 8" C/C BACKSPLASH MOUNT
- * SWIVELING SEAT DISKS
- * HOT SIDE STEM - RIGHT HAND
- * COLD SIDE STEM - LEFT HAND
- * STAINLESS STEEL SEATS
- * STAINLESS STEEL SEAT SCREWS
- * STAINLESS STEEL HANDLE SCREWS
- * 1/2" SLIP JOINT

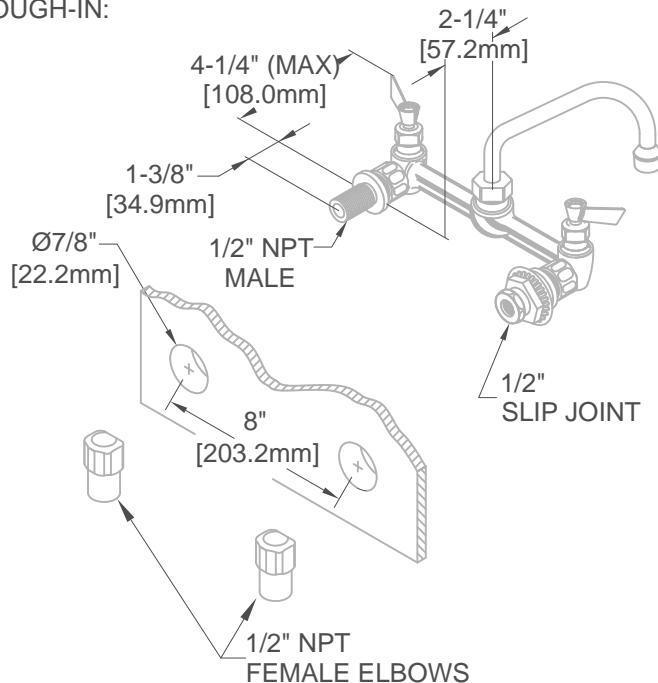
SYSTEM LIMITS

- * TEMP: 40°F MIN. TO 140°F MAX.
- * PRESSURE 200 PSI MAX. STATIC
- * 2.20 GPM AT 80 PSI

SHIPPING WEIGHT

- * 3.5 LBS

ROUGH-IN:



FISHER
FISHER MANUFACTURING COMPANY

TOLL FREE: 800-421-6162 - FAX: 800-832-8238
information@fisher-mfg.com - www.fisher-mfg.com