

APPLICATION:

JOB NAME:

QUANTITY: ITEM NO.

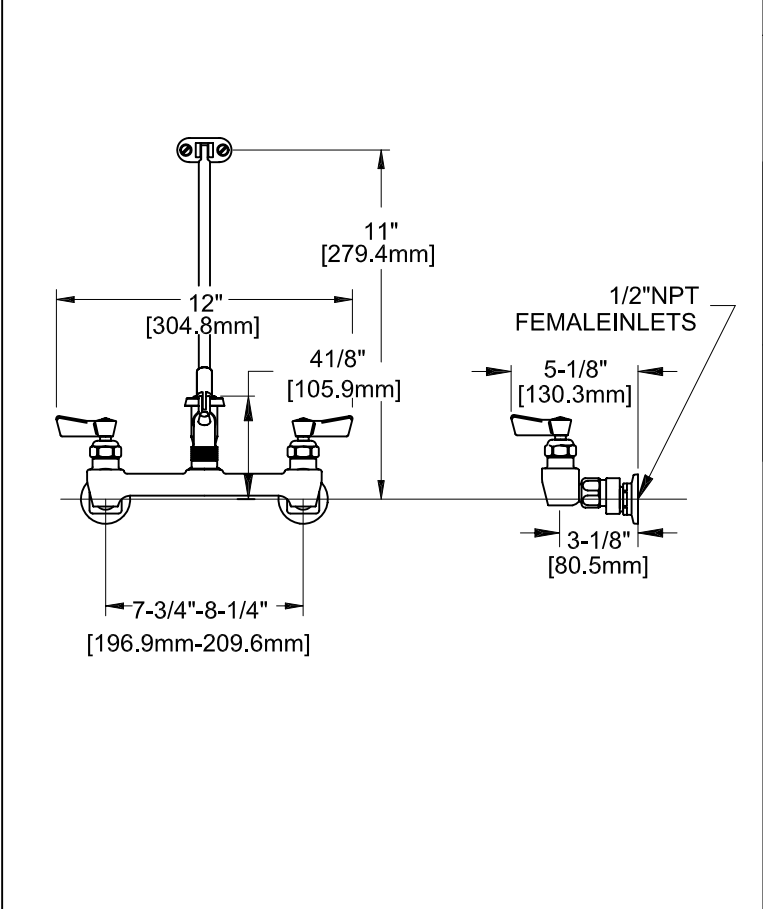
PRODUCT NAME:

SERVICE SINK FAUCET WITH
LONG SPOUT AND VACUUM BREAKER

SPECIAL CONFIGURATION
CHECK BASE MODEL AND OPTIONS

MODEL:

8253



OPTIONS OR MODIFICATIONS:

SUPPLY LINES (24" OR 36") CIRCLE LENGTH

NIPPLES

ELBOWS

VANDAL RESISTANT KIT

HANDLES (CROSS OR WRIST) CIRCLE STYLE

OTHER _____

FEATURES:

CONTROL VALVE

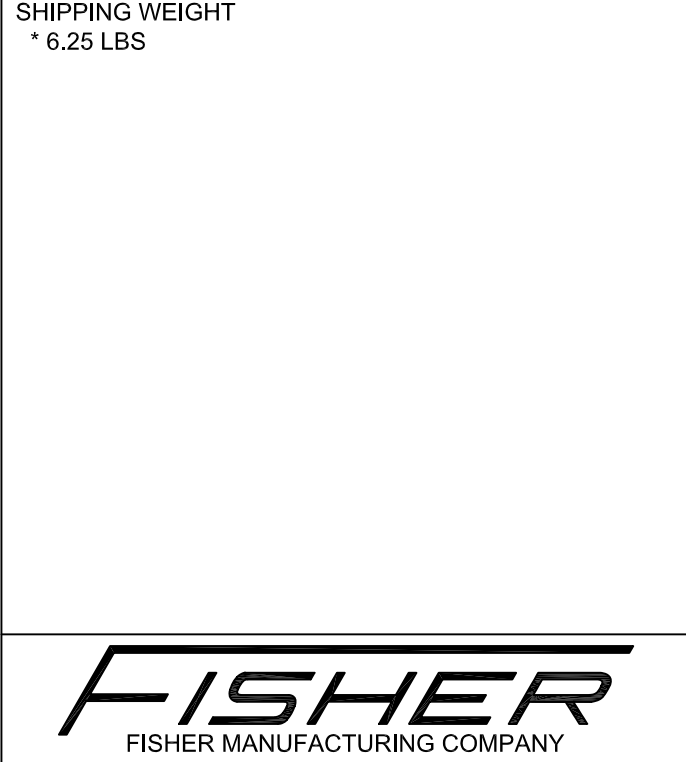
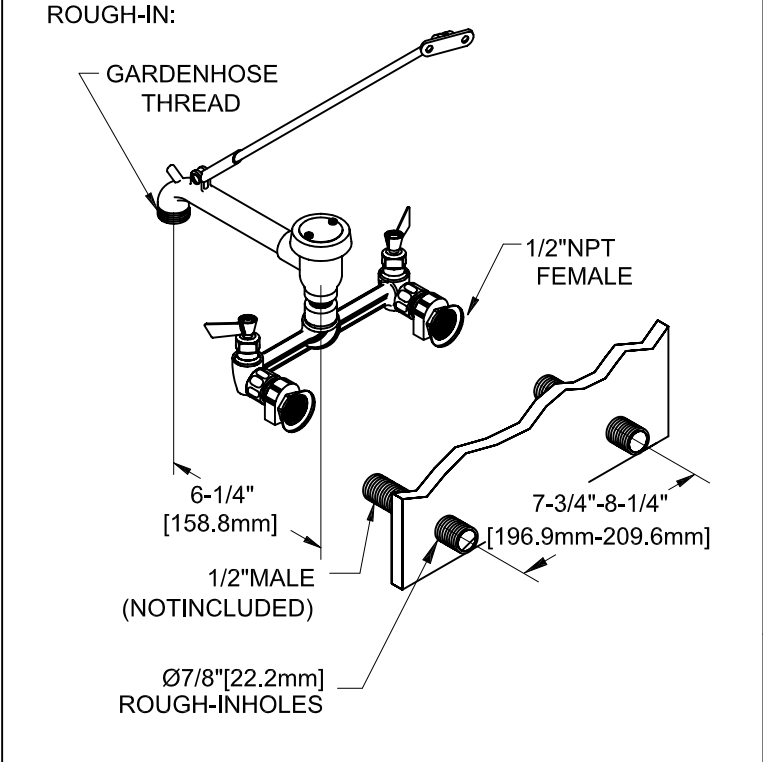
- * ECCENTRICS ADJUST FROM 7-3/4" TO 8-1/4"
- * INTERNAL SPRING LOADED CHECK VALVES
- * SWIVELING SEAT DISKS
- * HOT SIDE STEM - RIGHT HAND
- * COLD SIDE STEM - LEFT HAND
- * STAINLESS STEEL SEATS
- * STAINLESS STEEL SEAT SCREWS
- * STAINLESS STEEL HANDLE SCREWS
- * ATMOSPHERIC VACUUM BREAKER
- * 3/4" GARDEN HOSE THREAD OUTLET

SYSTEM LIMITS

- * TEMP: 40°F MIN. TO 140°F MAX.
- * PRESSURE 200 PSI MAX. STATIC
- * 13.6 GPM AT 80 PSI

SHIPPING WEIGHT

- * 6.25 LBS



ANSI/A112.18.1M