

APPLICATION:

JOB NAME:

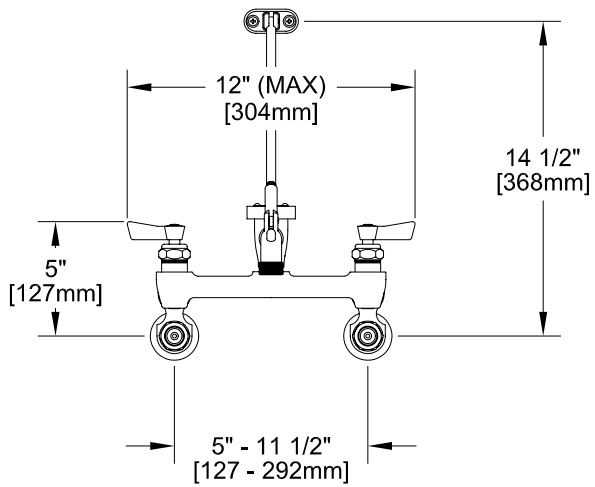
QUANTITY: ITEM NO.

PRODUCT NAME:
 SERVICE SINK FAUCET, LONG SPOUT,
 ECCENTRIC STOPS AND VACUUM BREAKER

_____ SPECIAL CONFIGURATION
 _____ CHECK BASE MODEL AND OPTIONS

MODEL:
 8261

- OPTIONS OR MODIFICATIONS:
- SUPPLY LINES (24" OR 36") CIRCLE LENGTH
 - NIPPLES
 - ELBOWS
 - HANDLES (CROSS OR WRIST) CIRCLE STYLE
 - VANDAL RESISTANT KIT
 - OTHER _____

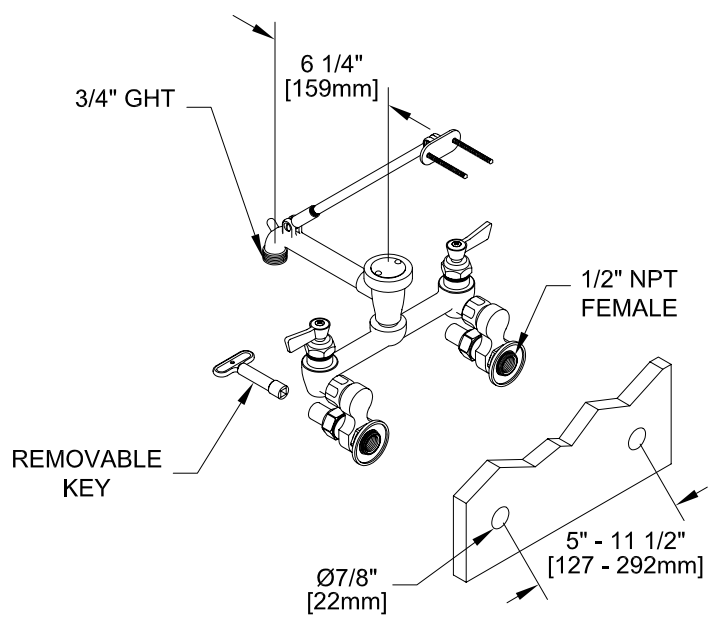


- FEATURES
- CONTROL VALVE
- * KEY-STOP ECCENTRICS ADJUST FROM 5" TO 11 1/2"
 - * INTERNAL SPRING LOADED CHECK VALVES
 - * SWIVELLING SEAT DISKS
 - * HOT SIDE STEM - RIGHT HAND
 - * COLD SIDE STEM - LEFT HAND
 - * ECCENTRIC STEMS - RIGHT HAND SWIVEL
 - * STAINLESS STEEL SEATS
 - * STAINLESS STEEL SEAT SCREWS
 - * STAINLESS STEEL HANDLE SCREWS
 - * ATMOSPHERIC VACUUM BREAKER
 - * 3/4" GARDEN HOSE THREAD OUTLET

- SYSTEM LIMITS
- * TEMP: 40°F MIN. TO 140°F MAX.
 - * PRESSURE: 200 PSI MAX. STATIC
 - * 13.6 GPM AT 80 PSI

SHIPPING WEIGHT
 * 7.5 LBS

ROUGH-IN:



FISHER
 FISHER MANUFACTURING COMPANY
 TOLL FREE: 800-421-6162 - FAX: 800-832-8238
 information@fisher-mfg.com - www.fisher-mfg.com