

APPLICATION:

PRODUCT NAME:
POT FILLER HOSE STYLE
8" C/C ADJUSTABLE WALL MOUNT

JOB NAME:

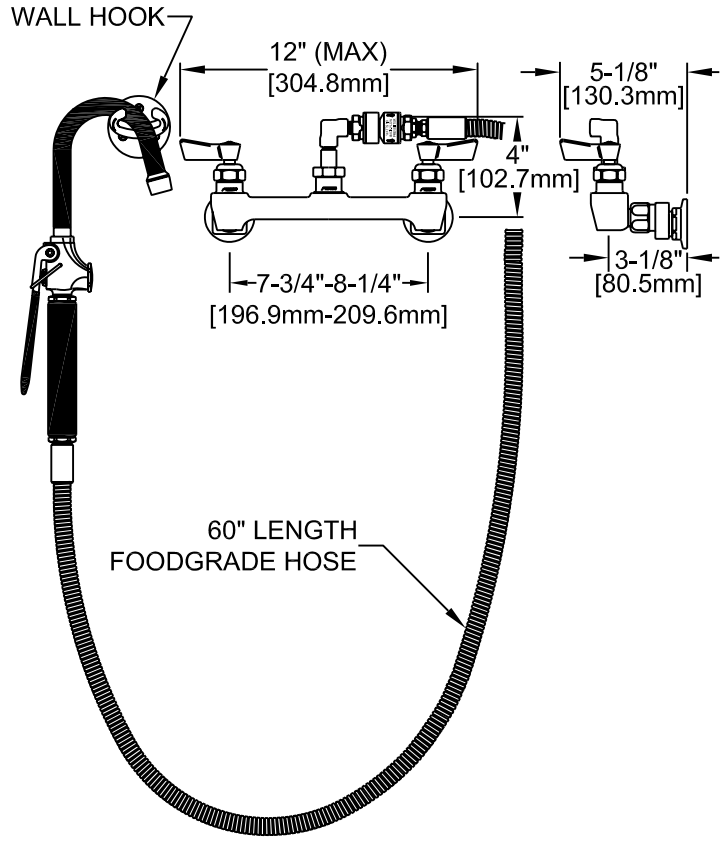
■ 83534 SPECIAL CONFIGURATION
 (CHECK BASE MODEL AND OPTIONS)

QUANTITY:

ITEM NO.:

MODEL:

■ 2250



OPTIONS OR MODIFICATIONS:

- SUPPLY LINES (24" OR 36") CIRCLE LENGTH
- ADD-ON FAUCET (6", 8", 10", 12", 14", 16") CIRCLE LGTH
- BACKFLOW PREVENTER
- PIPE HOOK
- NIPPLES
- ELBOWS
- VANDAL RESISTANT KIT
- HANDLES (CROSS OR WRIST) CIRCLE STYLE
- OTHER _____

FEATURES:

CONTROL VALVE

- * 8" C/C ADJUSTABLE WALL MOUNT
- * ECCENTRICS ADJUST FROM 7-3/4" TO 8-1/4"
- * INTERNAL SPRING LOADED CHECK VALVES
- * SWIVELING SEAT DISKS
- * HOT SIDE STEM - RIGHT HAND
- * COLD SIDE STEM - LEFT HAND
- * STAINLESS STEEL SEATS
- * STAINLESS STEEL SEAT SCREWS
- * STAINLESS STEEL HANDLE SCREWS

HOSE

- * 60" LENGTH
- * STAINLESS STEEL END FITTINGS
- * STAINLESS STEEL EXTERNAL JACKET
- * BRAIDED USDA APPROVED FOODGRADE INTERNAL HOSE

POT FILLER VALVE

- * NON SCRATCHING/ MARRING TUBE
- * 5.00 GPM AT 80 PSI
- * AERATED STREAM

SWIVEL ELBOW

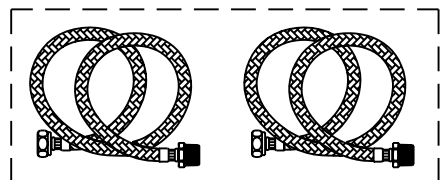
- * 360° TURNING RADIUS

SYSTEM LIMITS

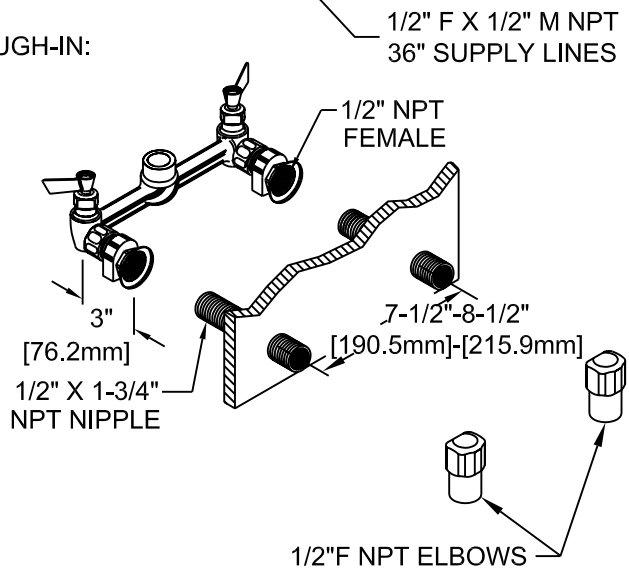
- * TEMP: 40°F MIN. TO 140°F MAX.
- * PRESSURE 200 PSI MAX. STATIC

SHIPPING WEIGHT

- * 9.0 LBS



ROUGH-IN:



ANSI/A112.18.1M, ANSI/NSF 61.9



FISHER MANUFACTURING COMPANY
 TOLL FREE: 800-421-6162 - FAX: 800-832-8238
 information@fisher-mfg.com - www.fisher-mfg.com