

APPLICATION:

PRODUCT NAME:

PRE-RINSE 8" ADJ. WALL MOUNT
3/4" FAUCET WITH 14" ADD-ON FAUCET

JOB NAME:

_____ SPECIAL CONFIGURATION
CHECK BASE MODEL AND OPTIONS

QUANTITY:

ITEM NO.

MODEL:

84840 WITH WALL BRACKETS

FEATURES:

- 3/4" MAIN CONTROL VALVE**
- * 8" ADJ. WALL CONTROL FAUCET
 - * 3/4" FEMALE NPT INLETS
 - * SWIVELLING SEAT DISKS
 - * HOT SIDE STEM - LEFT HAND
 - * COLD SIDE STEM - RIGHT HAND
 - * STAINLESS STEEL SEATS
 - * STAINLESS STEEL SEAT SCREWS
 - * STAINLESS STEEL HANDLE SCREWS

ADD-ON FAUCET

- * STEM - RIGHT HAND SWIVEL
- * COLD INDEX BUTTON
- * FULL 3/4" SEAT OPENING
- * SWIVELING SEAT DISKS
- * STAINLESS STEEL SEATS
- * STAINLESS STEEL SEAT SCREWS
- * STAINLESS STEEL HANDLE SCREWS
- * 14" SPOUT WITH 1" DIAMETER OUTLET
- * FLOW RATE: 37.0 GPM AT 80 PSI

HOSE

- * 36" LENGTH
- * STAINLESS STEEL END FITTINGS
- * STAINLESS STEEL EXTERNAL JACKET
- * 3-PLY FIBER REINFORCED INTERNAL RUBBER HOSE

ULTRA SPRAY VALVE

- * LOWEST ENERGY USER - 1.15 GPM @ 60 PSI
- * CLEANS FASTER - TEST PROVEN
- * ENGINEERED TO LAST - NO 'O' RINGS TO LEAK
- * INTERCHANGEABLE - FITS ALL BRANDS

WALL BRACKET

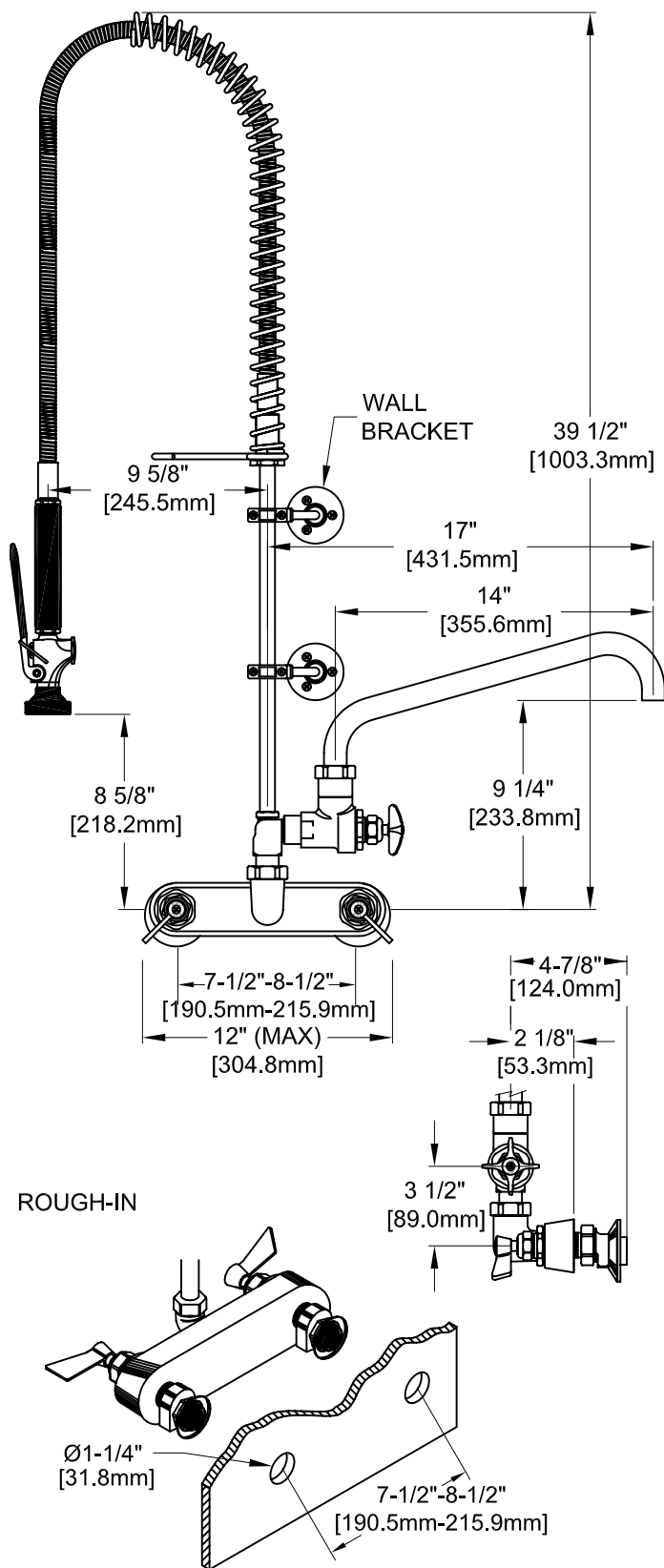
- * ADJUSTS FROM 2" TO 12"

SYSTEM LIMITS

- * TEMP: 40°F MIN. TO 140°F MAX.
- * PRESSURE 200 PSI MAX. STATIC

SHIPPING WEIGHT

- * 18.0 LBS



ROUGH-IN



FISHER

FISHER MANUFACTURING COMPANY

TOLL FREE: 800-421-6162 - FAX: 800-832-8238

information@fisher-mfg.com - www.fisher-mfg.com