

APPLICATION:

JOB NAME:

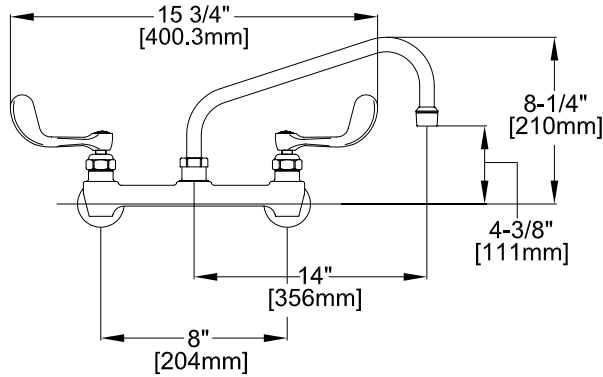
QUANTITY: ITEM NO.

PRODUCT NAME:

8" C/C BACKSPLASH FAUCET

SPECIAL CONFIGURATION

■ 85081 CHECK BASE MODEL AND OPTIONS



- MODEL:
- 13234 W/ 6" SWING SPOUT
 - 13242 W/ 8" SWING SPOUT
 - 13250 W/ 10" SWING SPOUT
 - 13269 W/ 12" SWING SPOUT
 - 13277 W/ 14" SWING SPOUT
 - 13218 W/ 16" SWING SPOUT

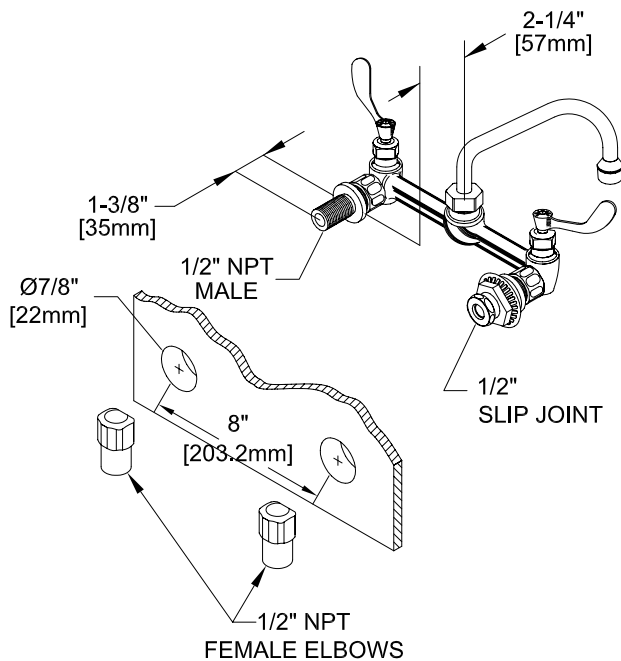
- OPTIONS OR MODIFICATIONS:
- SUPPLY LINES (24" OR 36") CIRCLE LENGTH
 - DJ SUB-ASSY (7-1/4" OR 13") CIRCLE LENGTH
 - ELBOWS
 - VANDAL RESISTANT KIT
 - HANDLES (CROSS OR WRIST) CIRCLE STYLE
 - OTHER _____

- FEATURES
- CONTROL VALVE
- * 8" C/C BACKSPLASH MOUNT
 - * SWIVELLING SEAT DISKS
 - * HOT SIDE STEM - RIGHT HAND
 - * COLD SIDE STEM - LEFT HAND
 - * STAINLESS STEEL SEATS
 - * STAINLESS STEEL SEAT SCREWS
 - * STAINLESS STEEL HANDLE SCREWS
 - * 1/2" SLIP JOINT

- SYSTEM LIMITS
- * TEMP: 40°F MIN. TO 140°F MAX.
 - * PRESSURE: 200 PSI MAX. STATIC
 - * 2.20 GPM AT 80 PSI

- SHIPPING WEIGHT
- * 5.0 LBS

ROUGH-IN:



ANSI/A112.18.1M

FISHER

FISHER MANUFACTURING COMPANY
 TOLL FREE: 800-421-6162 - FAX: 800-832-8238
 information@fisher-mfg.com - www.fisher-mfg.com