

APPLICATION:

PRODUCT NAME:

8" C/C BACKSPLASH MOUNT POT FILLER WITH BACKFLOW PREVENTER

JOB NAME:

MODEL:

■ 86312 WITH ELBOWS & WALL HOOK

QUANTITY:

ITEM NO.:

FEATURES:

CONTROL VALVE

- * 8" C/C BACKSPLASH MOUNT
- * INTERNAL SPRING LOADED CHECK VALVES
- * SWIVELING SEAT DISKS
- * HOT SIDE STEM - RIGHT HAND
- * COLD SIDE STEM - LEFT HAND
- * STAINLESS STEEL SEATS
- * STAINLESS STEEL SEAT SCREWS
- * STAINLESS STEEL HANDLE SCREWS

SWIVEL ELBOW

- * 360° TURNING RADIUS

BACKFLOW PREVENTER

- * ATMOSPHERIC VENT
- * DOUBLE CHECK DESIGN

HOSE

- * 60" LENGTH
- * STAINLESS STEEL END FITTINGS
- * STAINLESS STEEL EXTERNAL JACKET
- * BRAIDED USDA APPROVED FOODGRADE INTERNAL HOSE

POT FILLER VALVE

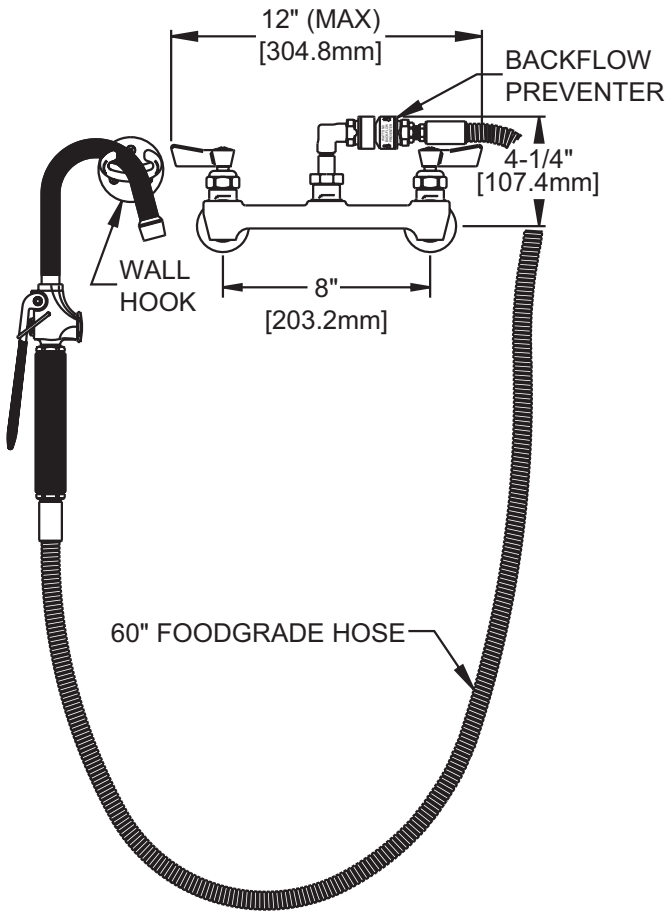
- * NON SCRATCHING/ MARRING TUBE
- * 5.00 GPM AT 80 PSI
- * AERATED STREAM

SYSTEM LIMITS

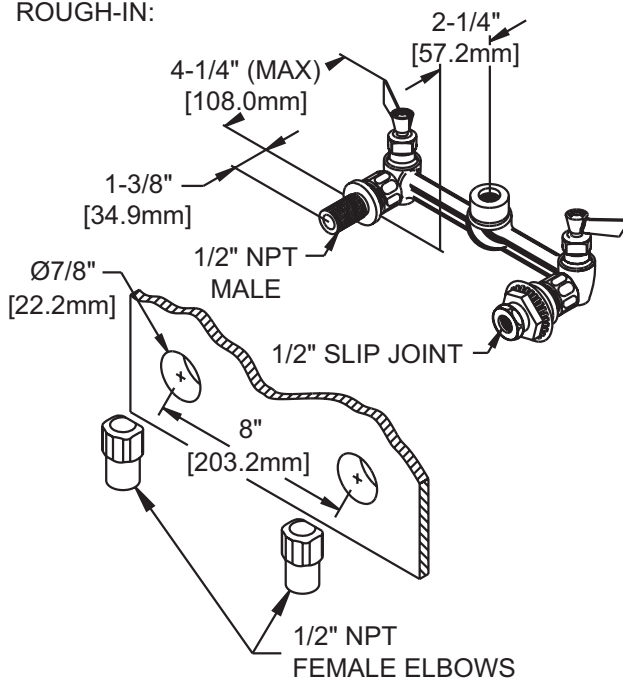
- * TEMP: 40°F MIN. TO 140°F MAX.
- * PRESSURE 200 PSI MAX. STATIC

SHIPPING WEIGHT

- * 11.0 LBS



ROUGH-IN:



ANSI/A112.18.1M, ANSI/NSF 61.9

FISHER

FISHER MANUFACTURING COMPANY
 TOLL FREE: 800-421-6162 - FAX: 800-832-8238
 information@fisher-mfg.com - www.fisher-mfg.com