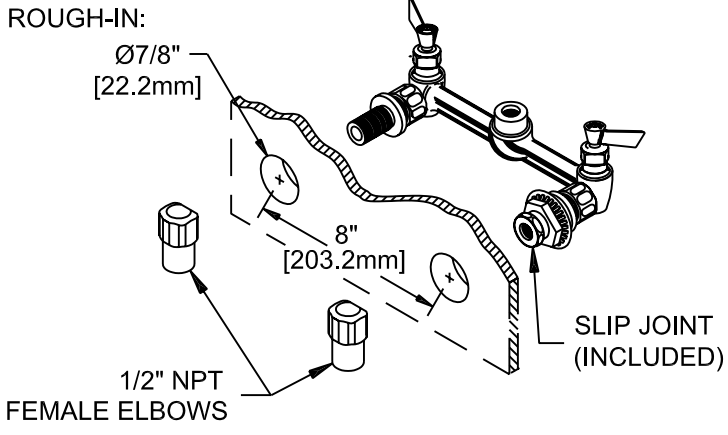
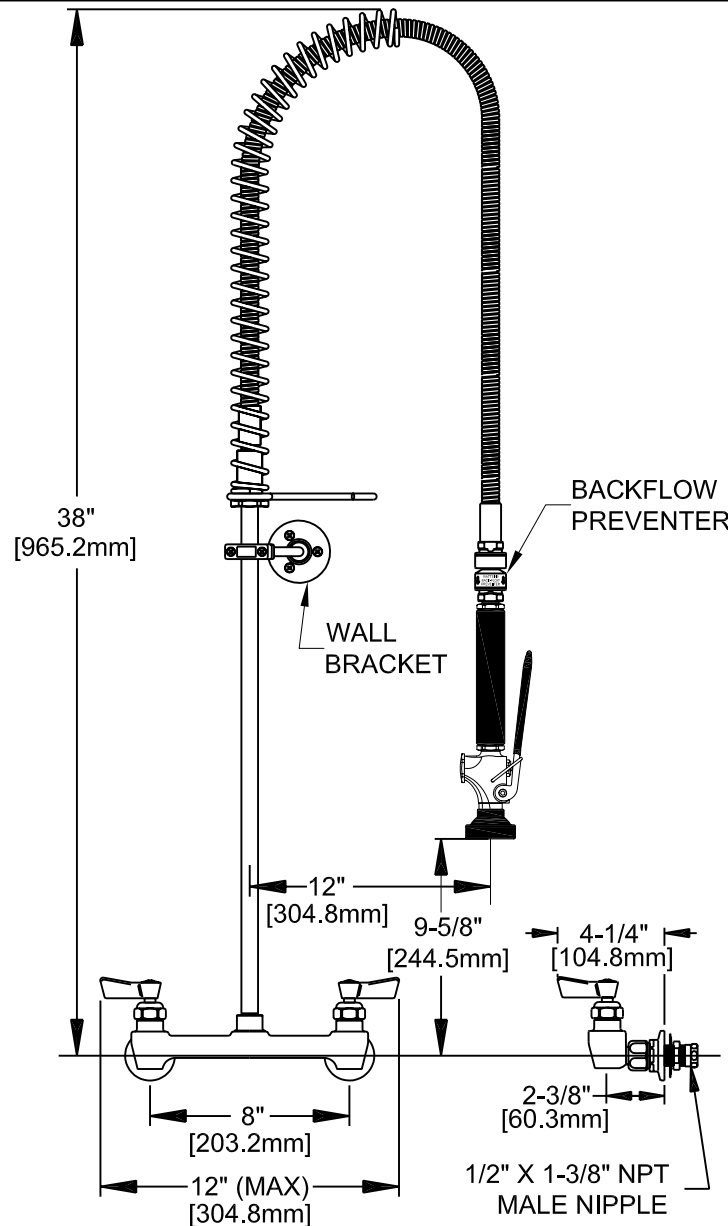


APPLICATION:
 JOB NAME:
 QUANTITY: ITEM NO.:

PRODUCT NAME:
**PRE-RINSE SPRING STYLE
 8" C/C BACKSPASH MOUNT**

89516 SPECIAL CONFIGURATION
 (CHECK BASE MODEL AND OPTIONS)
 13390 ULT SPRAY VALVE w/WALL BRACKET
 13366 ULT SPRAY VALVE, NO WALL BRACKET



- OPTIONS OR MODIFICATIONS:
- SUPPLY LINES (24" OR 36") CIRCLE LENGTH
 - ADD-ON FAUCET (6", 8", 10", 12", 14", 16") CIRCLE LGTH
 - BACKFLOW PREVENTER
 - BRUSH
 - ELBOWS
 - VANDAL RESISTANT KIT
 - HANDLES (CROSS OR WRIST) CIRCLE STYLE
 - OTHER _____

- FEATURES:
- CONTROL VALVE
 - * 8" C/C BACKSPASH MOUNT
 - * INTERNAL SPRING LOADED CHECK VALVES
 - * SWIVELING SEAT DISKS
 - * HOT SIDE STEM - RIGHT HAND
 - * COLD SIDE STEM - LEFT HAND
 - * STAINLESS STEEL SEATS
 - * STAINLESS STEEL SEAT SCREWS
 - * STAINLESS STEEL HANDLE SCREWS
 - * 1/2" SLIP JOINT KIT

- HOSE
- * 36" LENGTH
 - * STAINLESS STEEL END FITTINGS
 - * STAINLESS STEEL EXTERNAL JACKET
 - * 3-PLY FIBER REINFORCED INTERNL RUBBER HOSE

- IN-LINE VACUUM BREAKER
- * ATMOSPHERIC VENT
 - * DOUBLE CHECK DESIGN

- ULTRA SPRAY VALVE
- * 1.6 GPM @ 80 PSI ENERGY EFFICIENT NOZZLE
 - * BRONZE HANDLE - NOT PLASTIC - MEANS FULL "ON"
 - * FITS ALL BRANDS

- WALL BRACKET
- * ADJUSTS FROM 2" TO 12"

- SYSTEM LIMITS
- * 2.65 GPM AT 80 PSI
 - * TEMP: 40°F MIN. TO 140°F MAX. STATIC
 - * PRESSURE 200 PSI MAX. STATIC
 - * SHIPPING WEIGHT: 15 LBS

ANSI/A112.18.1M



FISHER MANUFACTURING COMPANY
 TOLL FREE: 800-421-6162 - FAX: 800-832-8238
 information@fisher-mfg.com - www.fisher-mfg.com