

APPLICATION:

PRODUCT NAME:

SINGLE WALL POT FILLER W/DJ SPOUT

JOB NAME:

- 89834 SPECIAL CONFIGURATION
(CHECK BASE MODEL AND OPTIONS)

QUANTITY:

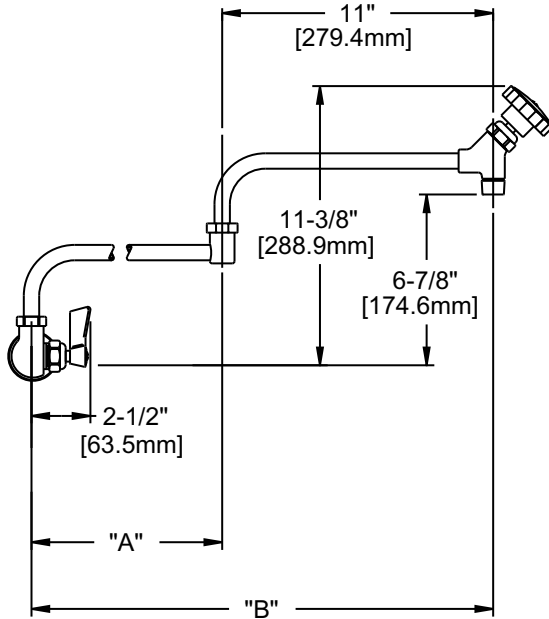
ITEM NO.:

MODEL:

- 4730 W/ 18" DJ SWING SPOUT
- 4731 W/ 24" DJ SWING SPOUT

OPTIONS OR MODIFICATIONS:

- SUPPLY LINE (24" OR 36") CIRCLE LENGTH
- NIPPLE
- ELBOW
- VANDAL RESISTANT KIT
- HANDLE (CROSS OR WRIST) CIRCLE STYLE
- OTHER _____



MODEL	DIM "A"	DIM "B"
4730	7" [177.8mm]	18" [457.2mm]
4731	13" [330.2mm]	24" [609.6mm]

FEATURES

- * SINGLE WALL MOUNT CONTROL VALVE
- * SWIVELLING SEAT DISK
- * FAUCET STEM - RIGHT HAND
- * SPOUT STEM - RIGHT HAND
- * STAINLESS STEEL SEAT
- * STAINLESS STEEL SEAT SCREW
- * STAINLESS STEEL HANDLE SCREW
- * HOT & COLD INDEX BUTTONS

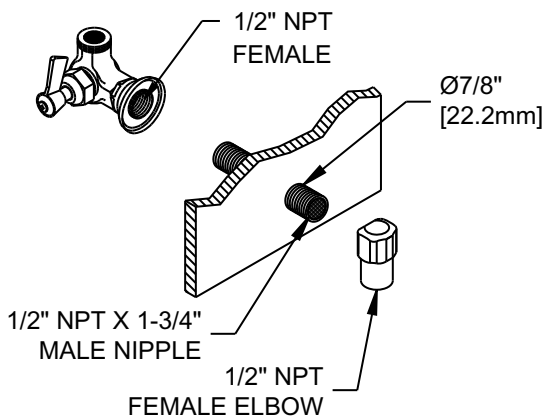
SYSTEM LIMITS

- * TEMP: 40°F MIN. TO 140°F MAX.
- * PRESSURE 200 PSI MAX. STATIC
- * 5.0 GPM AT 80 PSI

SHIPPING WEIGHT

- * 4.0 LBS

ROUGH-IN:



ANSI/A112.18.1M, ANSI/NSF 61.9



FISHER MANUFACTURING COMPANY
TOLL FREE: 800-421-6162 - FAX: 800-832-8238
information@fisher-mfg.com - www.fisher-mfg.com