

APPLICATION:

JOB NAME:

PRODUCT NAME:
GLASS FILLER 1/2" M WITH
1/4" FLARE FITTING

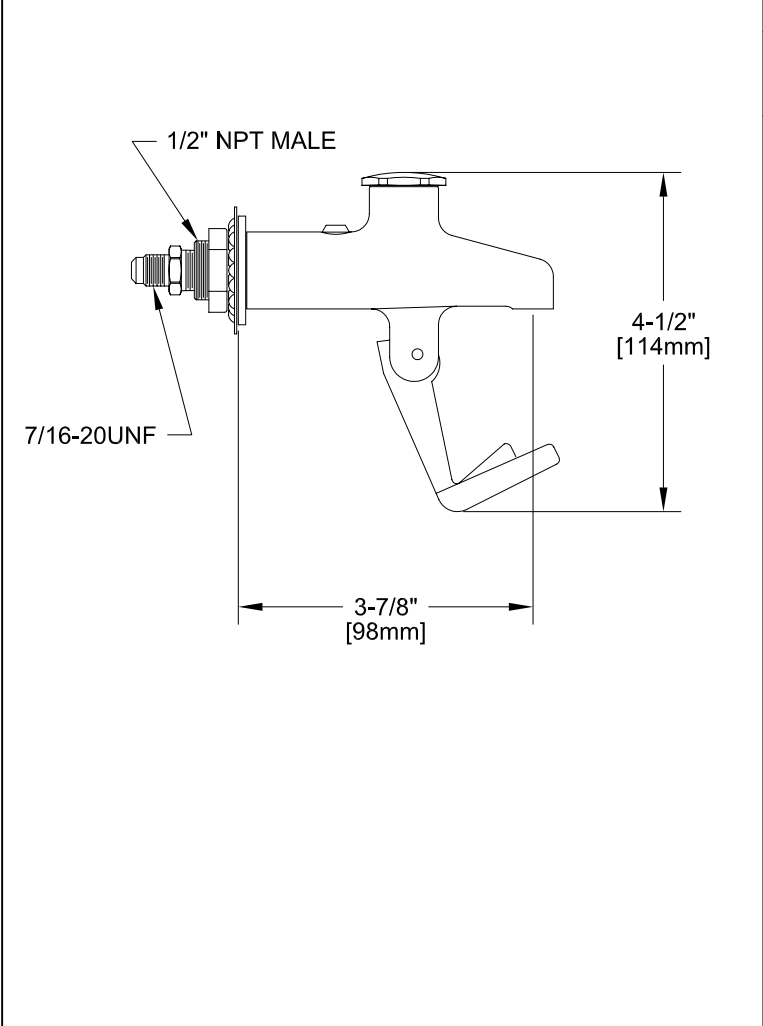
SPECIAL CONFIGURATION
CHECK BASE MODEL AND OPTIONS

QUANTITY:

ITEM NO.

MODEL:
■ 9033

OPTIONS OR MODIFICATIONS:
 OTHER _____



- FEATURES
- * STAINLESS STEEL HEAD
 - * MEETS NSF 61/SEC.9**
 - * TAMPER PROOF VOLUME CONTROL
 - * HANDLES BOTH PAPER & GLASS CUPS
 - * NON-MARRING DELRIN PRONG
 - * STAINLESS STEEL SEAT SCREWS
 - * STAINLESS STEEL STREAM STRAINER
- ** TESTED UNDER NSF-CSA ALLIANCE PROGRAM

- SYSTEM LIMITS
- * TEMP: 40°F MIN. TO 140°F MAX.
 - * PRESSURE: 100 PSI MAX. STATIC
 - * 2.2 GPM AT 80 PSI

SHIPPING WEIGHT
* 1.25 LBS

ROUGH-IN:

