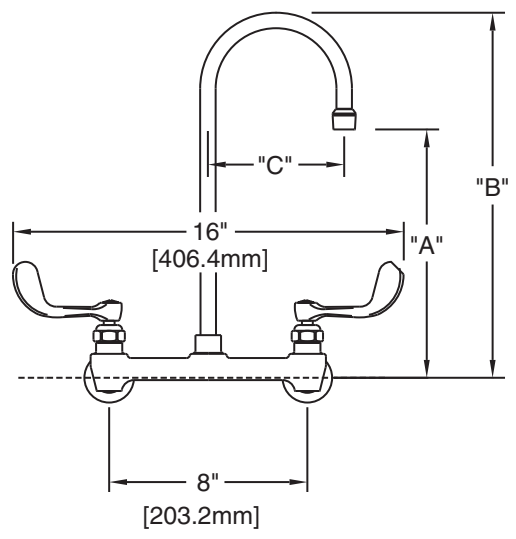


JOB NAME: _____ QUANTITY: _____ ITEM NO.: _____

PRODUCT NAME:
**8" C/C BACKSPLASH FAUCET
W/ RIGID GOOSENECK SPOUT**

- 91693 SPECIAL CONFIGURATION
(CHECK BASE MODEL AND OPTIONS)
- MODEL:**
- 13307 W/ 12 RIGID GOOSENECK SPOUT
 - 13293 W/ 6" RIGID GOOSENECK SPOUT

- OPTIONS OR MODIFICATIONS:**
- SUPPLY LINES (12", 24" OR 36") CIRCLE LENGTH
 - ELBOWS
 - VANDAL RESISTANT KIT
 - HANDLES (CROSS OR WRIST) CIRCLE STYLE
 - OTHER _____



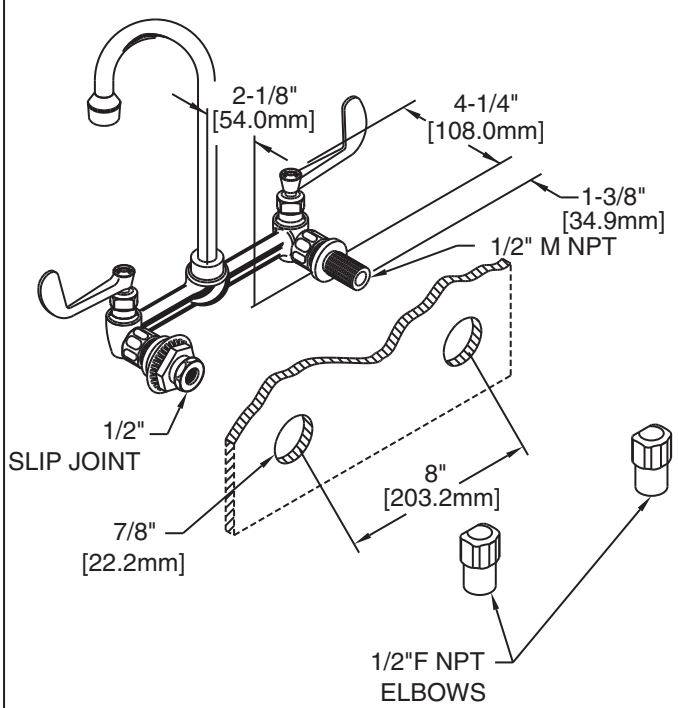
MODEL	DIM "A"	DIM "B"	DIM "C"
13307	8-1/4" [209.6mm]	12-1/4" [311.2mm]	5-1/2" [139.7mm]
13293	4-1/2" [114.3mm]	8-1/8" [206.4mm]	3-1/2" [88.90mm]

- FEATURES:**
- * 8" C/C BACKSPLASH FAUCET
 - * SWIVELLING SEAT DISKS
 - * HOT SIDE STEM - RIGHT HAND
 - * COLD SIDE STEM - LEFT HAND
 - * STAINLESS STEEL SEATS
 - * STAINLESS STEEL SEAT SCREWS
 - * STAINLESS STEEL HANDLE SCREWS

- SYSTEM LIMITS**
- * TEMP: 40°F MIN. TO 140°F MAX.
 - * PRESSURE 200 PSI MAX. STATIC
 - * 2.20 GPM AT 80 PSI

SHIPPING WEIGHT
* 5.0 LBS

ROUGH-IN:



ANSI/A112.18.1M, ANSI/NSF 61.9

FISHER MANUFACTURING COMPANY
1900 SOUTH "O" STREET, TULARE, CALIFORNIA 93274
MAILING ADDRESS: P.O. BOX 60, TULARE, CALIFORNIA 93275
PHONE: (800) 421-6162 FAX: (800) 832-8238
MADE IN U. S. A.