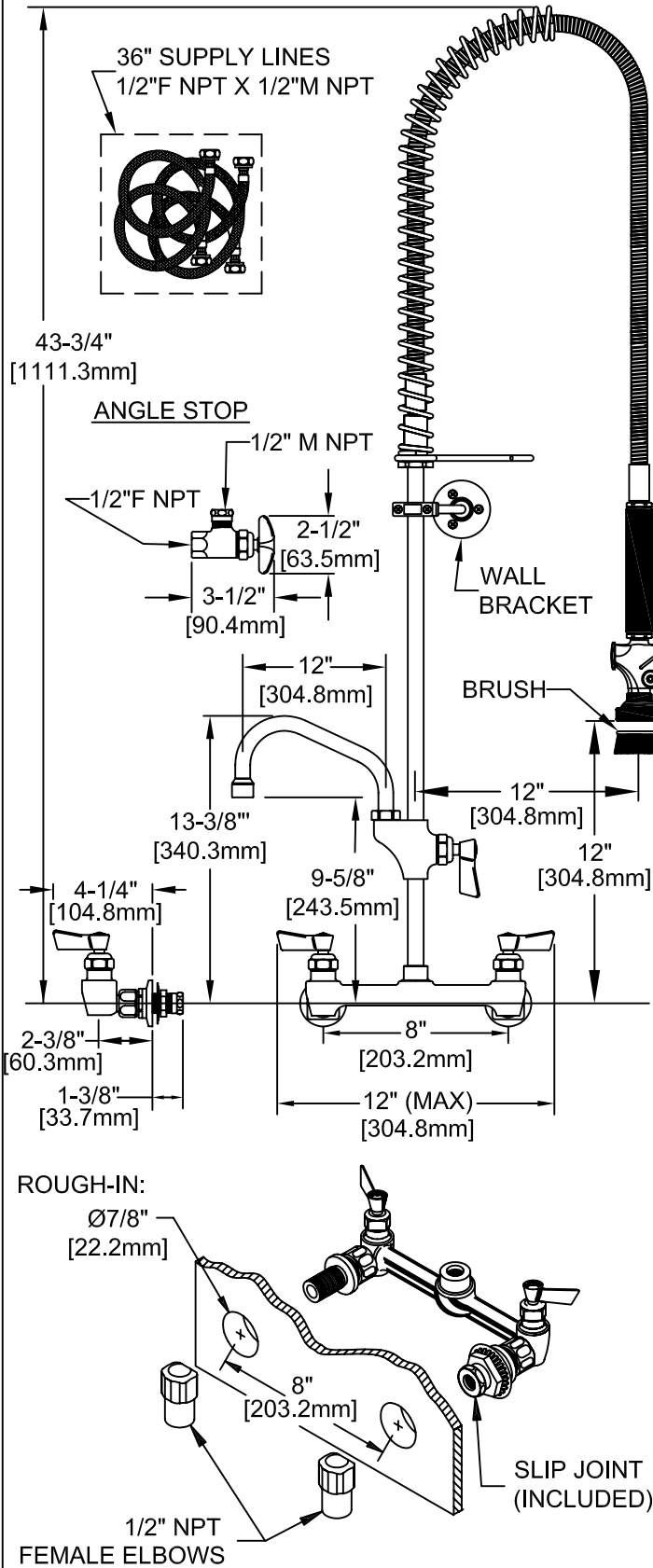


APPLICATION:	PRODUCT NAME: 8" C/C BACKSPLASH PRE-RINSE SPRING STYLE WITH ADD-ON FAUCET, 12" SPOUT
JOB NAME:	MODEL: □ 93211 WITH SUPPLY LINES, ELBOWS, ANGLE STOPS, WALL BRACKET & BRUSH
QUANTITY:	ITEM NO.:



- FEATURES:**
- MAIN CONTROL VALVE**
- * 8" C/C BACKSPLASH
 - * INTERNAL SPRING LOADED CHECK VALVES
 - * SWIVELING SEAT DISKS
 - * HOT SIDE STEM - RIGHT HAND CHECK
 - * COLD SIDE STEM - LEFT HAND CHECK
 - * STAINLESS STEEL SEATS
 - * STAINLESS STEEL SEAT SCREWS
 - * STAINLESS STEEL HANDLE SCREWS
- ADD-ON CONTROL VALVE**
- * 12" SWING SPOUT
 - * STEM - RIGHT HAND SWIVEL
 - * HOT INDEX BUTTON
 - * SWIVELING SEAT DISKS
 - * STAINLESS STEEL SEATS
 - * STAINLESS STEEL SEAT SCREWS
 - * STAINLESS STEEL HANDLE SCREWS
- HOSE**
- * 36" LENGTH
 - * STAINLESS STEEL END FITTINGS
 - * STAINLESS STEEL EXTERNAL JACKET
 - * 3-PLY FIBER REINFORCED INTERNAL RUBBER HOSE
- ULTRA SPRAY VALVE**
- * 1.6 GPM @ 80 PSI ENERGY EFFICIENT NOZZLE
 - * BRONZE HANDLE - NOT PLASTIC - MEANS FULL "ON"
 - * FITS ALL BRANDS
- WALL BRACKET**
- * ADJUSTS FROM 2" TO 12"
- ANGLE STOPS**
- * STEM - RIGHT HAND
 - * SWIVELING SEAT DISKS
 - * CROSS HANDLE TYPE
 - * HOT AND COLD INDEX BUTTONS
 - * STAINLESS STEEL SEATS
 - * STAINLESS STEEL SEAT SCREWS
 - * STAINLESS STEEL HANDLE SCREWS
- SYSTEM LIMITS**
- * TEMP: 40°F MIN. TO 140°F MAX. STATIC
 - * PRESSURE 200 PSI MAX. STATIC
- SHIPPING WEIGHT**
- * 21.0 LBS

ANSI/A112.18.1M, ANSI/NSF 61.9



FISHER MANUFACTURING COMPANY
 TOLL FREE: 800-421-6162 - FAX: 800-832-8238
 information@fisher-mfg.com - www.fisher-mfg.com