

APPLICATION:

PRODUCT NAME:
**8" C/C BACKSPLASH PRE-RINSE SPRING
 STYLE WITH ADD-ON FAUCET, 16" SPOUT**

JOB NAME:

MODEL:

QUANTITY:

ITEM NO.:

□ 93297 WITH SUPPLY LINES, ELBOWS, ANGLE
 STOPS, WALL BRACKET & BRUSH

FEATURES:

- MAIN CONTROL VALVE**
- * 8" C/C BACKSPLASH
 - * INTERNAL SPRING LOADED CHECK VALVES
 - * SWIVELING SEAT DISKS
 - * HOT SIDE STEM - RIGHT HAND CHECK
 - * COLD SIDE STEM - LEFT HAND CHECK
 - * STAINLESS STEEL SEATS
 - * STAINLESS STEEL SEAT SCREWS
 - * STAINLESS STEEL HANDLE SCREWS

- ADD-ON CONTROL VALVE**
- * 16" SWING SPOUT
 - * STEM - RIGHT HAND SWIVEL
 - * HOT INDEX BUTTON
 - * SWIVELING SEAT DISKS
 - * STAINLESS STEEL SEATS
 - * STAINLESS STEEL SEAT SCREWS
 - * STAINLESS STEEL HANDLE SCREWS

- HOSE**
- * 36" LENGTH
 - * STAINLESS STEEL END FITTINGS
 - * STAINLESS STEEL EXTERNAL JACKET
 - * 3-PLY FIBER REINFORCED INTERNAL RUBBER HOSE

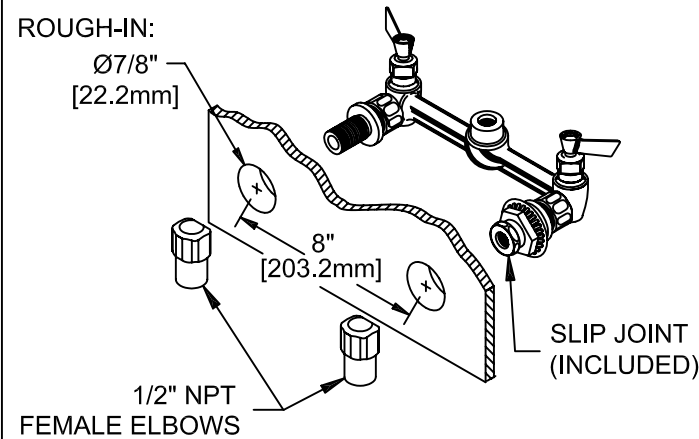
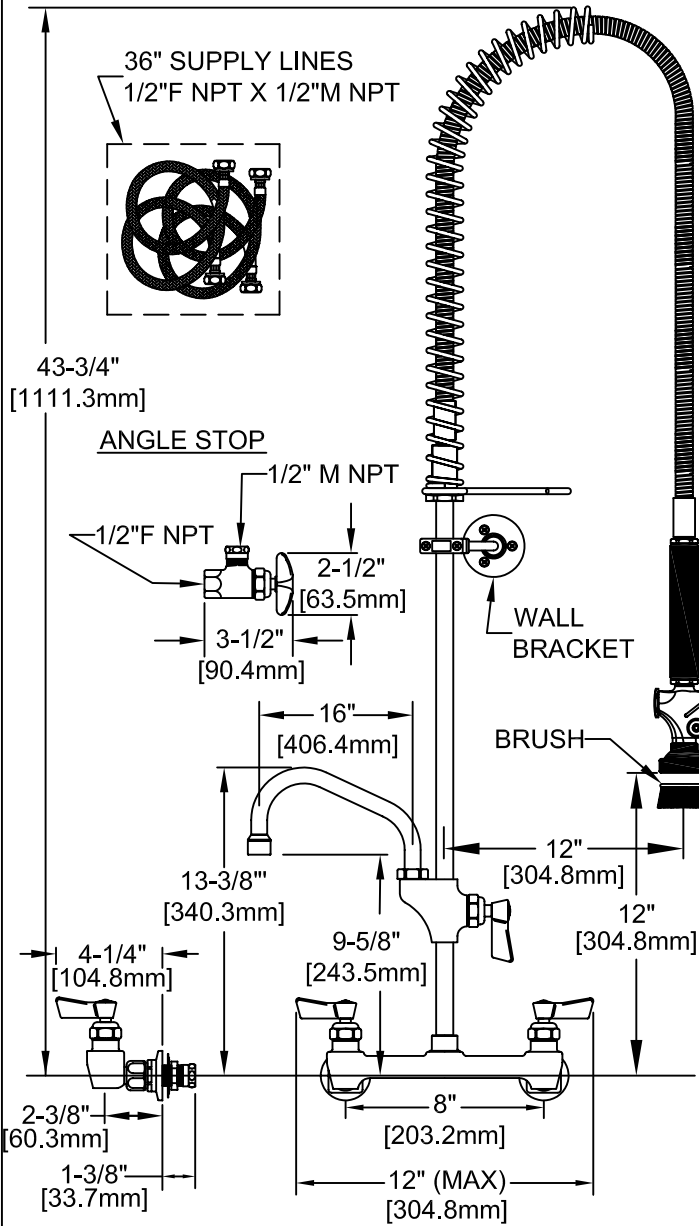
- ULTRA SPRAY VALVE**
- * 1.6 GPM @ 80 PSI ENERGY EFFICIENT NOZZLE
 - * BRONZE HANDLE - NOT PLASTIC - MEANS FULL "ON"
 - * FITS ALL BRANDS

- WALL BRACKET**
- * ADJUSTS FROM 2" TO 12"

- ANGLE STOPS**
- * STEM - RIGHT HAND
 - * SWIVELING SEAT DISKS
 - * CROSS HANDLE TYPE
 - * HOT AND COLD INDEX BUTTONS
 - * STAINLESS STEEL SEATS
 - * STAINLESS STEEL SEAT SCREWS
 - * STAINLESS STEEL HANDLE SCREWS

- SYSTEM LIMITS**
- * TEMP: 40°F MIN. TO 140°F MAX. STATIC
 - * PRESSURE 200 PSI MAX. STATIC

- SHIPPING WEIGHT**
- * 20.0 LBS



ANSI/A112.18.1M, ANSI/NSF 61.9

FISHER

FISHER MANUFACTURING COMPANY
 TOLL FREE: 800-421-6162 - FAX: 800-832-8238
 information@fisher-mfg.com - www.fisher-mfg.com