

APPLICATION:

PRODUCT NAME:
8" C/C BACKSPLASH FAUCET

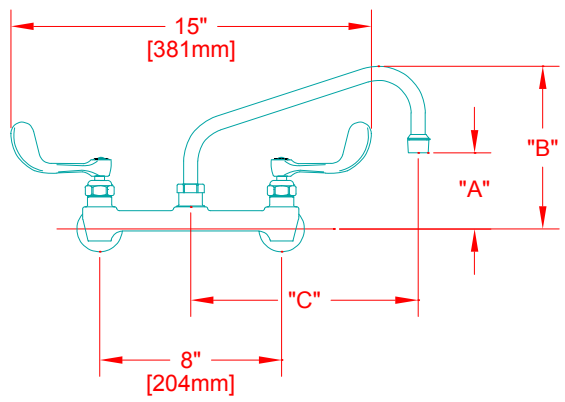
JOB NAME:

SPECIAL CONFIGURATION
CHECK BASE MODEL AND OPTIONS

QUANTITY:

ITEM NO.

MODEL:
 45306 W/ 6" SWING SPOUT
 95990 W/ 8" SWING SPOUT
 91111 W/ 10" SWING SPOUT
 94579 W/ 12" SWING SPOUT
 98787 W/ 14" SWING SPOUT
 45322 W/ 16" SWING SPOUT



OPTIONS OR MODIFICATIONS:
 SUPPLY LINES (24" OR 36") CIRCLE LENGTH
 DJ SUB-ASSY (7-1/4" OR 13") CIRCLE LENGTH
 ELBOWS
 VANDAL RESISTANT KIT
 HANDLES (CROSS OR WRIST) CIRCLE STYLE
 OTHER _____

MODEL	DIM "A"	DIM "B"	DIM "C"
45306	2-1/4" [57mm]	5-7/8" [149mm]	6" [152mm]
95990	2-1/2" [64mm]	6-3/8" [162mm]	8" [204mm]
91111	3-1/8" [79mm]	6-7/8" [175mm]	10" [254mm]
94579	3-3/4" [95mm]	7-3/8" [187mm]	12" [305mm]
98787	4-3/8" [111mm]	8-1/4" [210mm]	14" [356mm]
45322	5" [127mm]	8-7/8" [225mm]	16" [406mm]

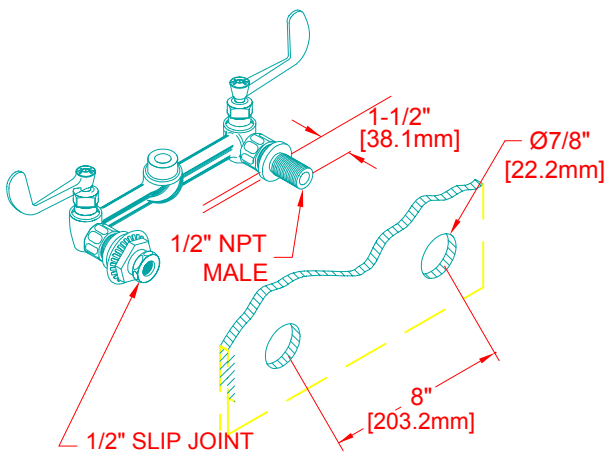
FEATURES

CONTROL VALVE
 * 8" C/C BACKSPLASH MOUNT
 * SWIVELLING SEAT DISKS
 * HOT SIDE STEM - RIGHT HAND
 * COLD SIDE STEM - LEFT HAND
 * STAINLESS STEEL SEATS
 * STAINLESS STEEL SEAT SCREWS
 * STAINLESS STEEL HANDLE SCREWS
 * 1/2" SLIP JOINT

SYSTEM LIMITS
 * TEMP: 40°F MIN. TO 140°F MAX.
 * PRESSURE: 200 PSI MAX. STATIC
 * 2.20 GPM AT 80 PSI

SHIPPING WEIGHT
 * 5.0 LBS

ROUGH-IN:



FISHER
 FISHER MANUFACTURING COMPANY
 TOLL FREE: 800-421-6162 - FAX: 800-832-8238
 information@fisher-mfg.com - www.fisher-mfg.com

APPLICATION:

PRODUCT NAME:

8" C/C BACKSPLASH FAUCET

JOB NAME:

SPECIAL CONFIGURATION
 CHECK BASE MODEL AND OPTIONS

QUANTITY:

ITEM NO.

MODEL:

- 13234 W/ 6" SWING SPOUT
- 13242 W/ 8" SWING SPOUT
- 13250 W/ 10" SWING SPOUT
- 13269 W/ 12" SWING SPOUT
- 13277 W/ 14" SWING SPOUT
- 13218 W/ 16" SWING SPOUT

OPTIONS OR MODIFICATIONS:

- SUPPLY LINES (24" OR 36") CIRCLE LENGTH
- DJ SUB-ASSY (7-1/4" OR 13") CIRCLE LENGTH
- ELBOWS
- VANDAL RESISTANT KIT
- HANDLES (CROSS OR WRIST) CIRCLE STYLE
- OTHER _____

FEATURES

CONTROL VALVE

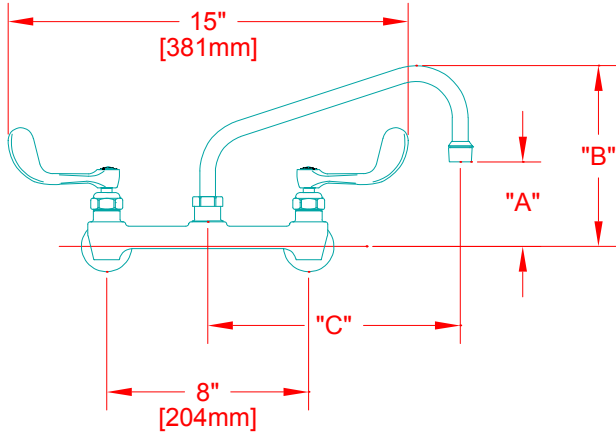
- * 8" C/C BACKSPLASH MOUNT
- * SWIVELLING SEAT DISKS
- * HOT SIDE STEM - RIGHT HAND
- * COLD SIDE STEM - LEFT HAND
- * STAINLESS STEEL SEATS
- * STAINLESS STEEL SEAT SCREWS
- * STAINLESS STEEL HANDLE SCREWS
- * 1/2" SLIP JOINT

SYSTEM LIMITS

- * TEMP: 40°F MIN. TO 140°F MAX.
- * PRESSURE: 200 PSI MAX. STATIC
- * 2.20 GPM AT 80 PSI

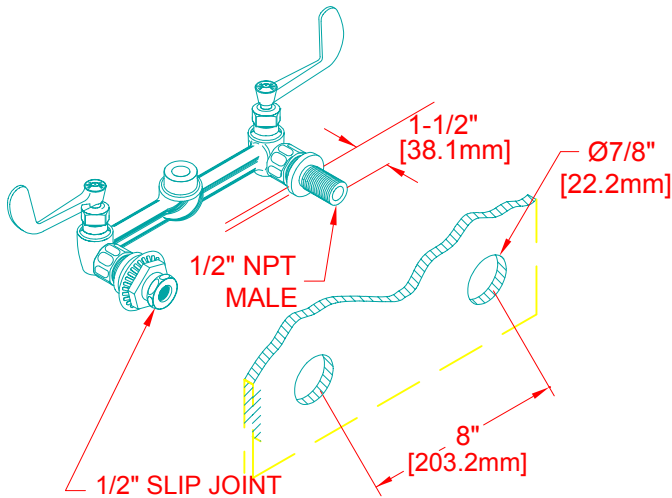
SHIPPING WEIGHT

- * 5.0 LBS



MODEL	DIM "A"	DIM "B"	DIM "C"
45306	2-1/4" [57mm]	5-7/8" [149mm]	6" [152mm]
95990	2-1/2" [64mm]	6-3/8" [162mm]	8" [204mm]
91111	3-1/8" [79mm]	6-7/8" [175mm]	10" [254mm]
94579	3-3/4" [95mm]	7-3/8" [187mm]	12" [305mm]
98787	4-3/8" [111mm]	8-1/4" [210mm]	14" [356mm]
45322	5" [127mm]	8-7/8" [225mm]	16" [406mm]

ROUGH-IN:



ANSI/A112.18.1M

FISHER

FISHER MANUFACTURING COMPANY

TOLL FREE: 800-421-6162 - FAX: 800-832-8238

information@fisher-mfg.com - www.fisher-mfg.com

SPEC. 13234 REV. D