

APPLICATION:

JOB NAME:

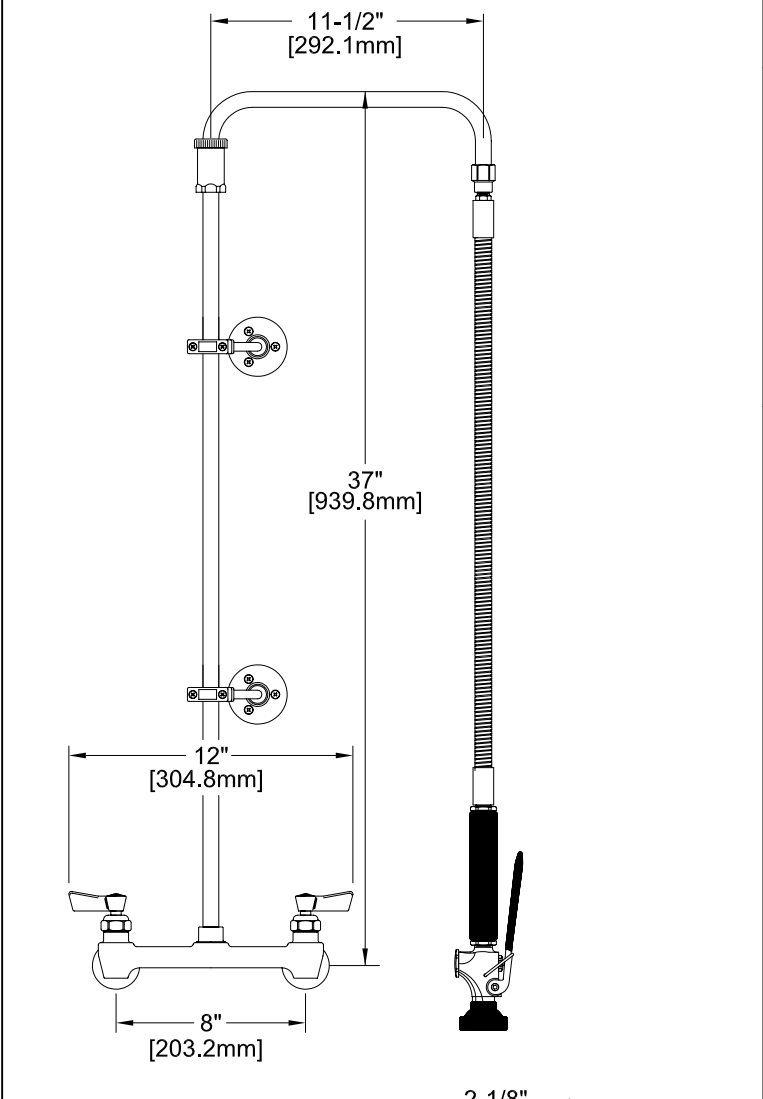
PRODUCT NAME:  
 8" C/C BACKSPLASH SWIVEL  
 STYLE PRERINSE UNIT

■ 97551 SPECIAL CONFIGURATION  
 CHECK BASE MODEL AND OPTIONS

QUANTITY:

ITEM NO.

MODEL:  
 ■ 13439 ULTRA SPRAY VALVE W/ WALL BRACKET  
 □ 13404 ULTRA SPRAY VALVE, NO WALL BRACKET



OPTIONS OR MODIFICATIONS:  
 □ SUPPLY LINES (24" OR 36") CIRCLE LENGTH  
 □ ADD-ON FAUCET (6", 8", 10", 12", 14", 16") CIRCLE  
 □ IN-LINE DUAL CHECK VALVE  
 □ BRUSH  
 ■ ELBOWS  
 □ VANDAL RESISTANT KIT  
 □ HANDLES (CROSS OR WRIST) CIRCLE STYLE  
 ■ OTHER 2916-25 1/2" HOSE

FEATURES:

**CONTROL VALVE**  
 \* 8" C/C BACKSPLASH  
 \* INTERNAL SPRING LOADED CHECK VALVES  
 \* SWIVELLING SEAT DISKS  
 \* HOT SIDE STEM - RIGHT HAND  
 \* COLD SIDE STEM - LEFT HAND  
 \* STAINLESS STEEL SEATS  
 \* STAINLESS STEEL SEAT SCREWS  
 \* STAINLESS STEEL HANDLE SCREWS

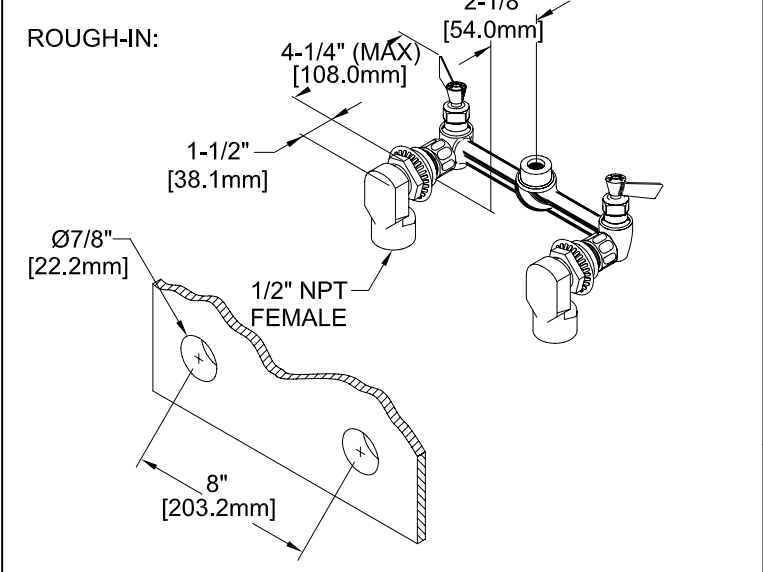
**HOSE**  
 \* 25-1/2" LENGTH  
 \* STAINLESS STEEL END FITTINGS  
 \* STAINLESS STEEL EXTERNAL JACKET  
 \* 3-PLY FIVER REINFORCFED INTERNAL RUBBER HOSE  
 \* REPAIRABLE IN FIELD WITH SIMPLE TOOLS


**ULTRA SPRAY VALVE**  
 \* LOWEST ENERGY USER - 1.15 GPM @ 60 PSI  
 \* CLEANS FASTER - TEST PROVEN  
 \* ENGINEERED TO LAST - NO 'O' RINGS TO LEAK  
 \* INTERCHANGEABLE - FITS ALL BRANDS

**WALL BRACKET**  
 \* ADJUSTS FROM 2" TO 12"

**SYSTEM LIMITS**  
 \* TEMP: 40°F MIN. TO 140°F MAX.  
 \* PRESSURE 200 PSI MAX. STATIC

**SHIPPING WEIGHT**  
 \* 14.0 LBS



EPAct 2005 Compliant  ANSI/A112.18.1M

**FISHER**  
 FISHER MANUFACTURING COMPANY  
 TOLL FREE: 800-421-6162 - FAX: 800-832-8238  
 information@fisher-mfg.com - www.fisher-mfg.com