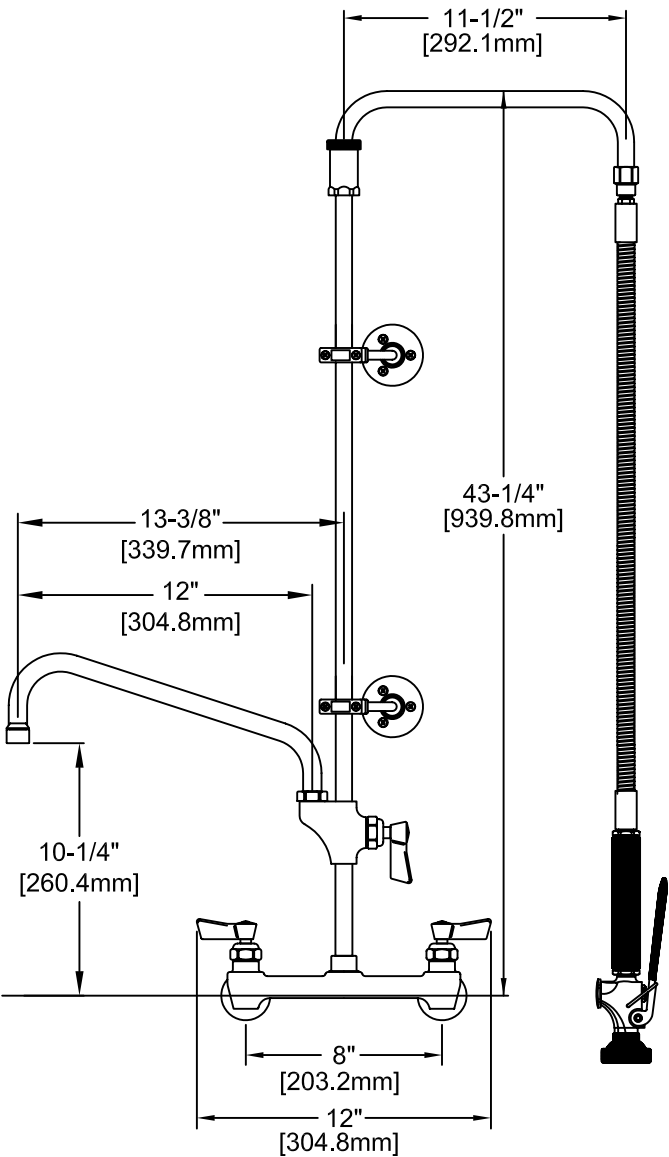


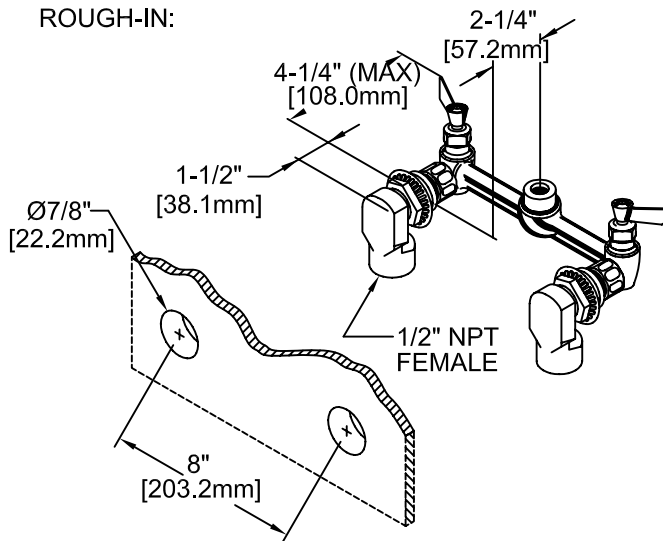
JOB NAME:

QUANTITY:

ITEM NO.:



ROUGH-IN:



**PRODUCT NAME:
8" C/C BACKSPLASH SWIVEL STYLE
PRERINSE UNIT**

■ 97578 SPECIAL CONFIGURATION
(CHECK BASE MODEL AND OPTIONS)

MODEL:

- 13439 ULTRA SPRAY VALVE W/WALL BRACKET
- 13404 ULTRA SPRAY VALVE NO WALL BRACKET

OPTIONS OR MODIFICATIONS:

- SUPPLY LINES (24" OR 36") CIRCLE LENGTH
- ADD-ON FAUCET (6",8",10",12",14",16") CIRCLE LENGTH
- IN-LINE DUAL CHECK VALVE
- PIPE HOOK
- BRUSH
- ELBOWS
- VANDAL RESISTANT KIT
- HANDLES (CROSS OR WRIST) CIRCLE STYLE
- OTHER 27" HOSE (12149)

FEATURES:

- CONTROL VALVE
- * 8" C/C BACKSPLASH
- * INTERNAL SPRING LOADED CHECK VALVES
- * SWIVELLING SEAT DISKS
- * HOT SIDE STEM - RIGHT HAND
- * COLD SIDE STEM - LEFT HAND
- * STAINLESS STEEL SEATS
- * STAINLESS STEEL SEAT SCREWS
- * STAINLESS STEEL HANDLE SCREWS

ADD-ON FAUCET

- * 2.26 GPM AT 80 PSI

HOSE

- * 27" LENGTH
- * STAINLESS STEEL END FITTINGS
- * STAINLESS STEEL EXTERNAL JACKET
- * 3-PLY FIVER REINFORCED INTERNAL RUBBER HOSE
- * REPAIRABLE IN FIELD WITH SIMPLE TOOLS

ULTRA SPRAY VALVE

- * 1.6 GPM @ 80 PSI ENERGY EFFICIENT NOZZLE
- * BRONZE HANDLE - NOT PLASTIC - MEANS FULL "ON"
- * FITS ALL BRANDS

WALL BRACKET

- * ADJUSTS FROM 2" TO 12"

SYSTEM LIMITS

- * TEMP: 40°F MIN. TO 140°F MAX.
- * PRESSURE 200PSI MAX. STATIC

SHIPPING WEIGHT

- * 17.0 LBS

ANSI/A112.18.1M

FISHER MANUFACTURING COMPANY
1900 SOUTH "O" STREET, TULARE, CALIFORNIA 93274
MAILING ADDRESS: P.O. BOX 60, TULARE, CALIFORNIA 93275
PHONE: (800) 421-6162 FAX: (800) 832-8238
MADE IN U. S. A.