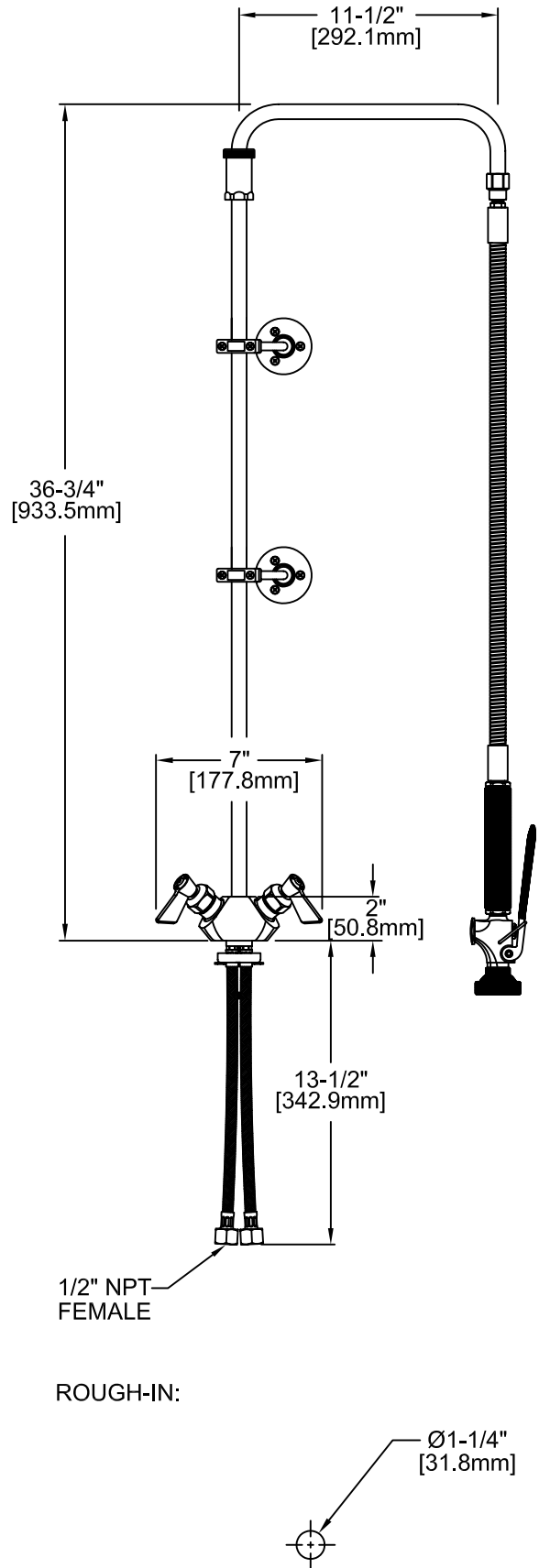


JOB NAME:

QUANTITY:

ITEM NO.:



PRODUCT NAME:
SDDC SWIVEL STYLE PRERINSE UNIT

■ 97896 SPECIAL CONFIGURATION
(CHECK BASE MODEL AND OPTIONS)

MODEL:

- 2111-WB ULT. SPRAY VALVE W/ WALL BRACKET
- 2111 ULT. SPRAY VALVE, NO WALL BRACKET

OPTIONS OR MODIFICATIONS:

- SUPPLY LINES (24" OR 36") CIRCLE LGTH
- ADD-ON FAUCET (6",8",10",12",14",16") CIRCLE LGTH
- IN-LINE DUAL CHECK VALVE
- PIPE HOOK
- BRUSH
- VANDAL RESISTANT KIT
- HANDLES (CROSS OR WRIST) CIRCLE STYLE
- OTHER EXTRA 2902-12, 2916-25 1/2" HOSE

FEATURES:

CONTROL VALVE

- * SINGLE DECK, DUAL CONTROL
- * INTERNAL SPRING LOADED CHECK VALVES
- * HOT SIDE STEM - RIGHT HAND
- * COLD SIDE STEM - LEFT HAND
- * SWIVELLING SEAT DISKS
- * STAINLESS STEEL SEATS
- * STAINLESS STEEL SEAT SCREWS
- * STAINLESS STEEL HANDLE SCREWS

HOSE

- * 25-1/2" LENGTH
- * STAINLESS STEEL END FITTINGS
- * STAINLESS STEEL EXTERNAL JACKET
- * 3 PLY FIBER REINFORCED INTERNAL RUBBER HOSE
- * REPAIRABLE IN FIELD WITH SIMPLE TOOLS

ULTRA SPRAY VALVE

- * 1.6 GPM @ 80 PSI ENERGY EFFICIENT NOZZLE
- * BRONZE HANDLE - NOT PLASTIC - MEANS FULL "ON"
- * FITS ALL BRANDS

WALL BRACKET

- * ADJUSTS FROM 2" TO 12"

SYSTEM LIMITS

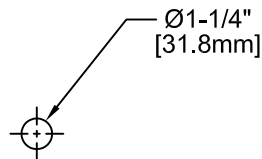
- * TEMP: 40°F MIN. TO 140°F MAX.
- * PRESSURE 200 PSI MAX. STATIC

SHIPPING WEIGHT

- * 11.5 LBS

1/2" NPT FEMALE

ROUGH-IN:



ANSI/A112.18.1M

FISHER MANUFACTURING COMPANY
1900 SOUTH "O" STREET, TULARE, CALIFORNIA 93274
MAILING ADDRESS: P.O. BOX 60, TULARE, CALIFORNIA 93275
PHONE: (800) 421-6162 FAX: (800) 832-8238
MADE IN U. S. A.