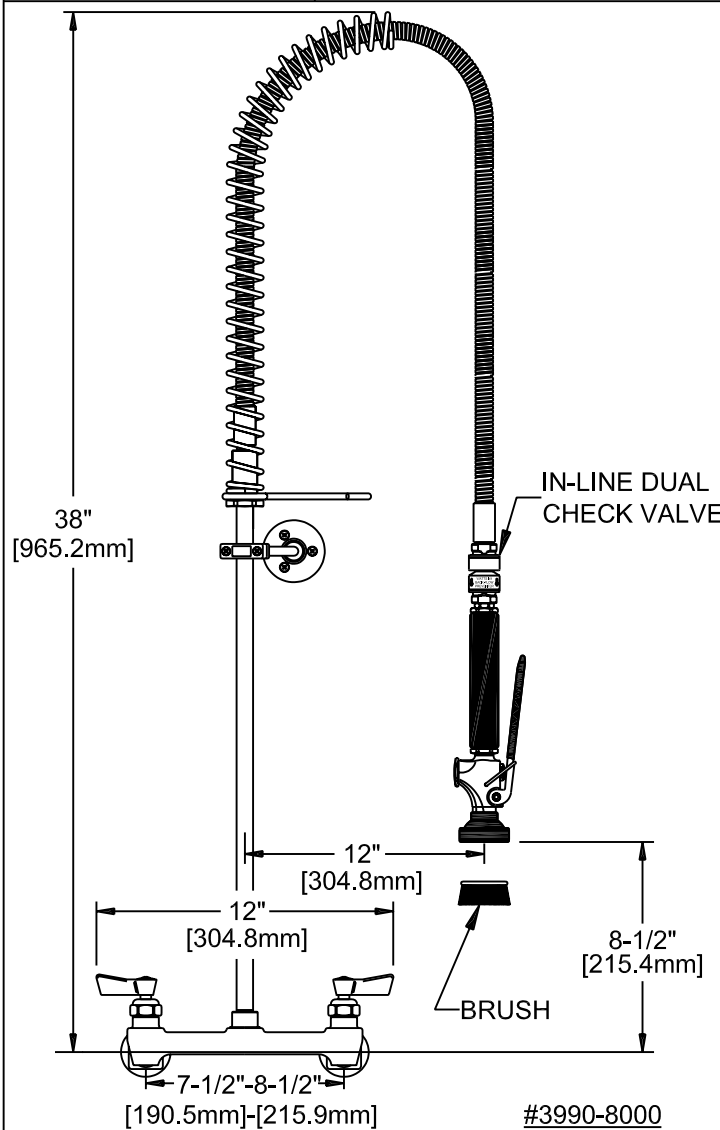
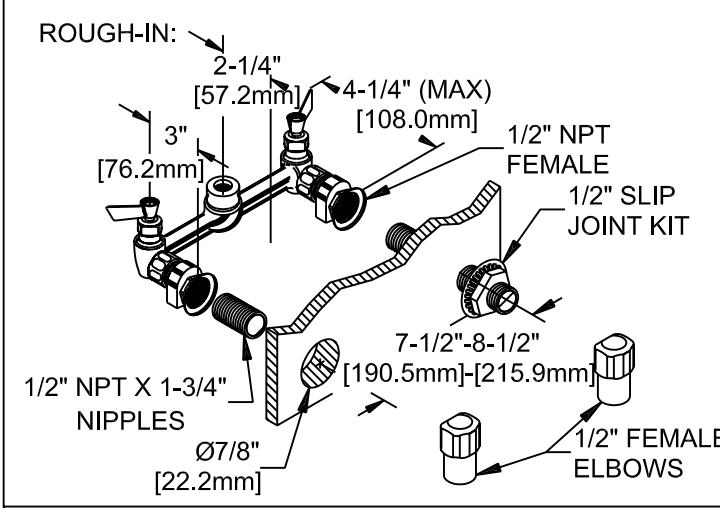


APPLICATION:  
 JOB NAME:  
 QUANTITY:      ITEM NO.:

PRODUCT NAME:  
**PRE-RINSE SPRING STYLE WALL MOUNT**  
 99384 SPECIAL CONFIGURATION  
 (CHECK BASE MODEL AND OPTIONS)  
 MODEL:  
 2210-WB ULTRA SV WITH WALL BRACKET  
 2210 ULTRA SV, NO WALL BRACKET



1/2" NPT INLET AND OUTLET  
 MOUNT 7'-6" ABOVE FINISHED FLOOR



- OPTIONS OR MODIFICATIONS:
- SUPPLY LINES (24" OR 36") CIRCLE LENGTH
  - ADD-ON FAUCET (6",8",10",12",14",16") CIRCLE LGTH
  - IN-LINE DUAL CHECK VALVE
  - BRUSH
  - NIPPLES
  - ELBOWS
  - VANDAL RESISTANT KIT
  - HANDLES (CROSS OR WRIST) CIRCLE STYLE
  - OTHER 3990-8000 - VACUUM BREAKER

- FEATURES:
- CONTROL VALVE**
- \* ECCENTRICS ADJUST FROM 7-1/2" TO 8-1/2"
  - \* INTERNAL SPRING LOADED CHECK VALVES
  - \* SWIVELLING SEAT DISKS
  - \* HOT SIDE STEM - RIGHT HAND
  - \* COLD SIDE STEM - LEFT HAND
  - \* STAINLESS STEEL SEATS
  - \* STAINLESS STEEL SEAT SCREWS
  - \* STAINLESS STEEL HANDLE SCREWS

- HOSE**
- \* 36" LENGTH
  - \* STAINLESS STEEL END FITTINGS
  - \* STAINLESS STEEL EXTERNAL JACKET
  - \* 3-PLY FIBER REINFORCED INTERNL RUBBER HOSE
  - \* REPAIRABLE IN FIELD WITH SIMPLE TOOLS

- ULTRA SPRAY VALVE**
- \* 1.6 GPM @ 80 PSI ENERGY EFFICIENT NOZZLE
  - \* BRONZE HANDLE - NOT PLASTIC - MEANS FULL "ON"
  - \* FITS ALL BRANDS

- WALL BRACKET**
- \* ADJUSTS FROM 2" TO 12"

- SYSTEM LIMITS**
- \* TEMP: 40°F MIN. TO 140°F MAX. STATIC
  - \* PRESSURE 200 PSI MAX. STATIC
  - \* SHIPPING WEIGHT: 12.0 LBS

ANSI/A112.18.1M

**FISHER**

FISHER MANUFACTURING COMPANY  
 TOLL FREE: 800-421-6162 - FAX: 800-832-8238  
 information@fisher-mfg.com - www.fisher-mfg.com