

APPLICATION:

PRODUCT NAME:  
**PRE-RINSE 8" C/C BACKSPASH MOUNT  
 3/4" FAUCET WITH 14" ADD-ON FAUCET**

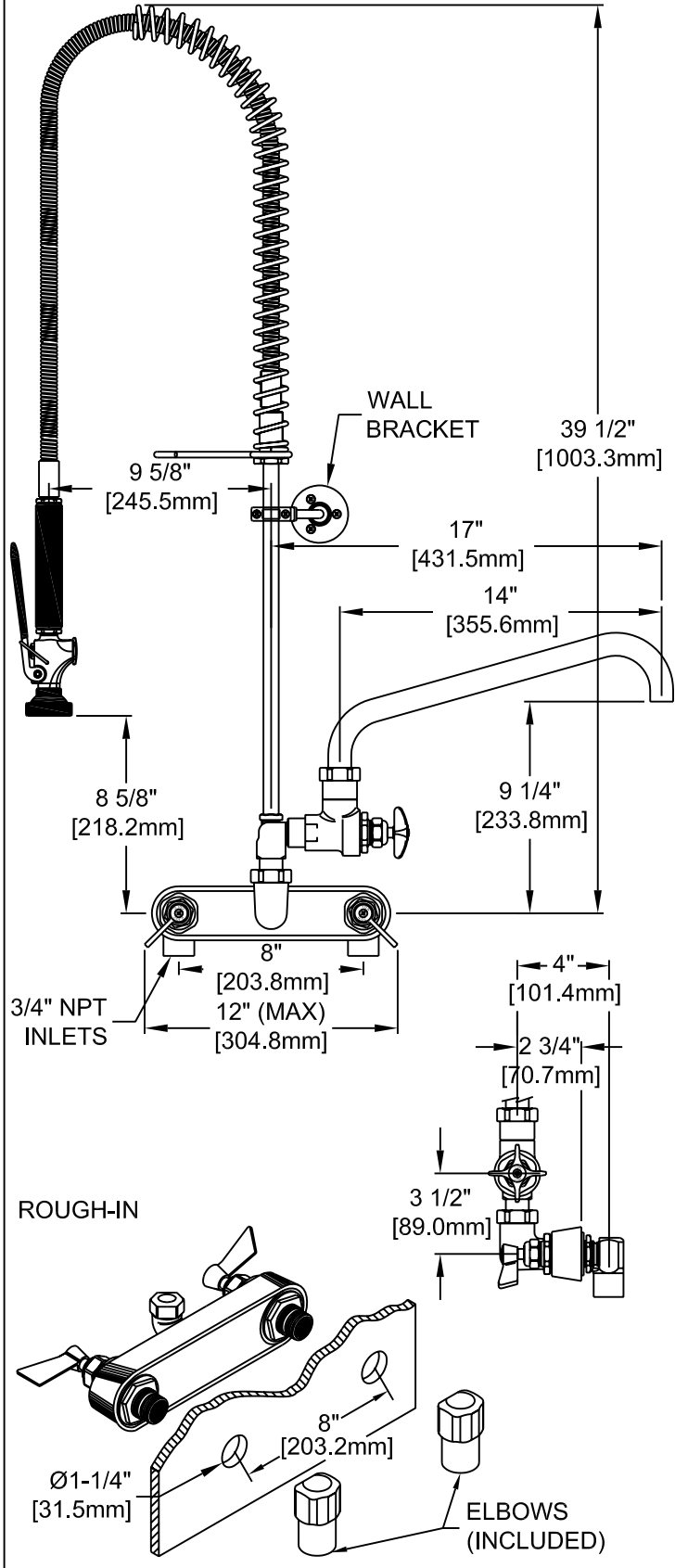
JOB NAME:

MODEL:

QUANTITY:

ITEM NO.:

□ 99449 WITH WALL BRACKET



FEATURES:

- 3/4" MAIN CONTROL VALVE
- \* 8" C/C BACKSPASH FAUCET
- \* 3/4" NPT INLETS
- \* SWIVELLING SEAT DISKS
- \* HOT SIDE STEM - LEFT HAND
- \* COLD SIDE STEM - RIGHT HAND
- \* STAINLESS STEEL SEATS
- \* STAINLESS STEEL SEAT SCREWS
- \* STAINLESS STEEL HANDLE SCREWS
- \* CLOSE ELBOWS

ADD-ON FAUCET

- \* STEM - RIGHT HAND SWIVEL
- \* COLD INDEX BUTTON
- \* FULL 3/4" SEAT OPENING
- \* SWIVELING SEAT DISKS
- \* STAINLESS STEEL SEATS
- \* STAINLESS STEEL SEAT SCREWS
- \* STAINLESS STEEL HANDLE SCREWS
- \* 14" SPOUT WITH 1" DIAMETER OUTLET
- \* FLOW RATE: 37.0 GPM AT 80 PSI

HOSE

- \* 36" LENGTH
- \* STAINLESS STEEL END FITTINGS
- \* STAINLESS STEEL EXTERNAL JACKET
- \* 3-PLY FIBER REINFORCED INTERNAL RUBBER HOSE

ULTRA SPRAY VALVE

- \* 1.6 GPM @ 80 PSI ENERGY EFFICIENT NOZZLE
- \* BRONZE HANDLE - NOT PLASTIC - MEANS FULL "ON"
- \* FITS ALL BRANDS

WALL BRACKET

- \* ADJUSTS FROM 2" TO 12"

SYSTEM LIMITS

- \* TEMP: 40°F MIN. TO 140°F MAX.
- \* PRESSURE 200 PSI MAX. STATIC

SHIPPING WEIGHT

- \* 18.0 LBS

