

APPLICATION:

**PRODUCT NAME:**  
**PRE-RINSE SPRING STYLE**  
**8" C/C BACKSPASH MOUNT**

JOB NAME:

- 99708 SPECIAL CONFIGURATION
- MODEL: (CHECK BASE MODEL AND OPTIONS)
- 13390 ULT SPRAY VALVE w/WALL BRACKET
- 13366 ULT SPRAY VALVE, NO WALL BRACKET

QUANTITY:

ITEM NO.:

**OPTIONS OR MODIFICATIONS:**

- SUPPLY LINES (24" OR 36") CIRCLE LENGTH
- ADD-ON FAUCET (6",8",10",12",14",16") CIRCLE LGTH
- IN-LINE DUAL CHECK VALVE
- BRUSH
- ELBOWS
- VANDAL RESISTANT KIT
- HANDLES (CROSS OR WRIST) CIRCLE STYLE
- OTHER WALL HOOK

**FEATURES:**

- CONTROL VALVE**
- \* 8" C/C BACKSPASH MOUNT
  - \* INTERNAL SPRING LOADED CHECK VALVES
  - \* SWIVELING SEAT DISKS
  - \* HOT SIDE STEM - RIGHT HAND
  - \* COLD SIDE STEM - LEFT HAND
  - \* STAINLESS STEEL SEATS
  - \* STAINLESS STEEL SEAT SCREWS
  - \* STAINLESS STEEL HANDLE SCREWS
  - \* 1/2" SLIP JOINT KIT

**HOSE**

- \* 36" LENGTH
- \* STAINLESS STEEL END FITTINGS
- \* STAINLESS STEEL EXTERNAL JACKET
- \* 3-PLY FIBER REINFORCED INTERNL RUBBER HOSE

**IN-LINE VACUUM BREAKER**

- \* ATMOSPHERIC VENT
- \* DOUBLE CHECK DESIGN

**ULTRA SPRAY VALVE**

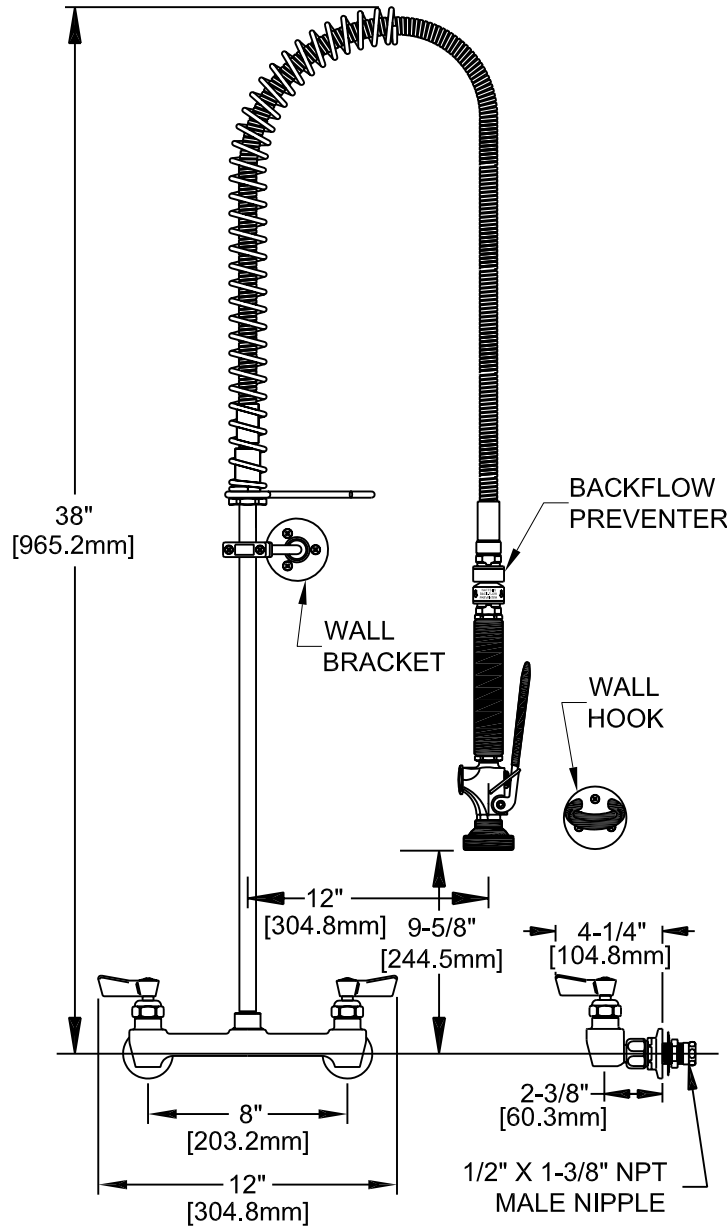
- \* 1.6 GPM @ 80 PSI ENERGY EFFICIENT NOZZLE
- \* BRONZE HANDLE - NOT PLASTIC - MEANS FULL "ON"
- \* FITS ALL BRANDS

**WALL BRACKET**

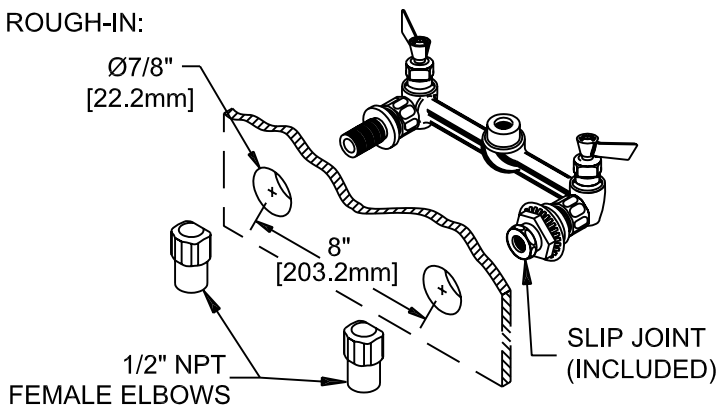
- \* ADJUSTS FROM 2" TO 12"

**SYSTEM LIMITS**

- \* 2.65 GPM AT 80 PSI
- \* TEMP: 40°F MIN. TO 140°F MAX.
- \* PRESSURE: 200 PSI MAX. STATIC
- \* SHIPPING WEIGHT: 15 LBS



**ROUGH-IN:**



ANSI/A112.18.1M

**FISHER**

FISHER MANUFACTURING COMPANY  
 TOLL FREE: 800-421-6162 - FAX: 800-832-8238  
 information@fisher-mfg.com - www.fisher-mfg.com