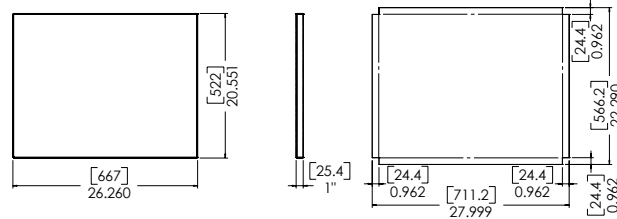
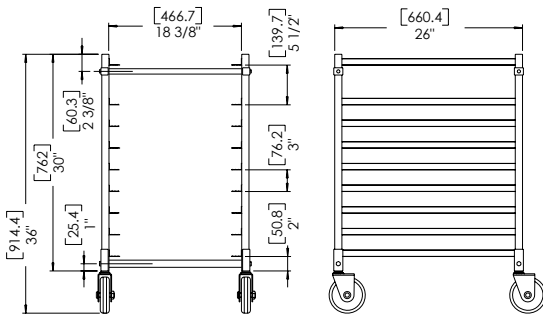


K/D ALUMINUM MACHINE STAND & SHEET PAN RACK



- **Construction:** Heavy duty, end-loading welded rack. Made from type 6063-T5 ultra-strong aluminum. 14 gauge aluminum top.
- **Efficient Storage:** Dual purpose rack maximizes valuable kitchen space. 14 gauge aluminum top functions as a machine stand, and the 9 pan capacity allows you to store product underneath.
- **Flexibility and Selection:** Holds 9 full sized sheet pans. Also holds half sized pans.
- **Ease of Movement:** 5" (12.7 cm) non-marking polyurethane casters- 2 swivel & 2 swivel with brakes.
- **Ease of Assembly:** Minimal parts for fast and easy assembly.
- **Knocked Down Shipping:** Saves freight costs because each unit is shipped knocked down. All parts are packed in one secure carton.



Top view

Item No.	Description	Size	Approx Pkd. Wt.	Slide Spacing	Pack
FAKDMSR9	K/D end-load machine stand & rack	20 ⁹ / ₁₆ " x 26 ¹ / ₄ " x 36" h (52.2 x 66.7 x 91.4 cm)	35 lbs.	3" (7.6 cm)	1