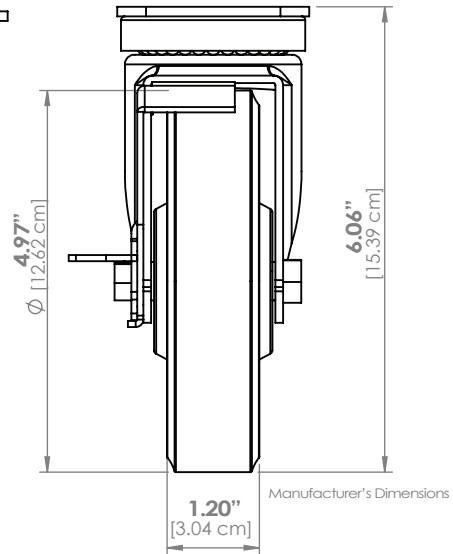
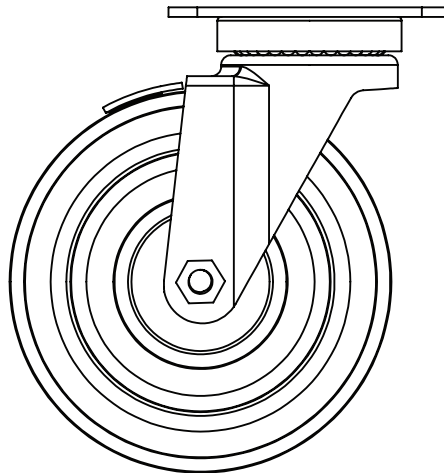
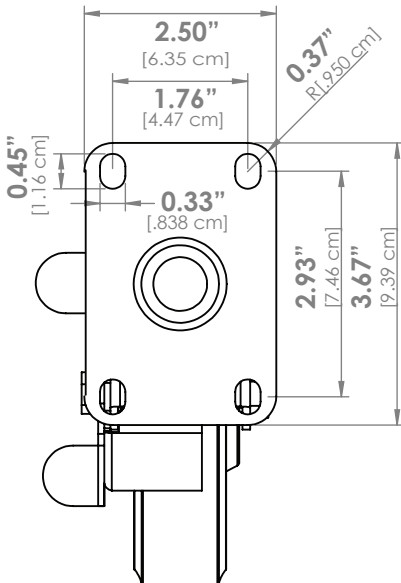




5" UNIVERSAL POLYURETHANE CASTERS WITH RECTANGULAR PLATE FOR EQUIPMENT [FPCST2X35]

- **Design:** 5" (12.7 cm) diameter, 1 1/4" (3.2 cm) face, heavy-duty grease-resistant, non-marking polyurethane wheel casters. 4" stainless steel mounting plate with multiple holes to fit most foodservice equipment. Temperature range: 14° F to 212° F (-10° C to 100° C).
- **Load Rating:** Each caster has a load rating of 300 lbs. (136 kg).



Item #	Description	Pack
FPCST2X35*	Set of 4 each 5" (12.7 cm) plate casters with brakes - 2 1/8" X 3 1/8" (6.0 X 9.2 cm) rectangular plates 4 sets	
FPCST2X35E	Individual 5" (12.7 cm) plate caster with brake - 2 1/8" X 3 1/8" (6.0 X 9.2 cm) rectangular plate	4

* Shipped in full color trilingual merchandising carton.