

Symphony Plus™ ice and water dispenser

110 FB series freestanding with Chewblet® ice machine



Features

90 lb (40.9 kg) ice storage capacity

Removable air-or water-cooled ice machine with up to 425 lb (193.0 kg) daily ice production

- soft, chewable, compressed nugget ice is preferred over cubes¹ and is ideal for patient care

New - Quiet Night™ sleep mode turns off ice machine when idle

Designed with sanitation in mind

New - automatic self-flushing of ice machine removes impurities

New - drain cup provides internal air gap for added protection of food zone components from drain line contaminants

- Agion® silver-based antimicrobial provides protection of key ice and water contact components²

- one-hand lever or SensorSAFE™ infrared ice dispense

Dependable design, easy to service and clean

New - cleaning and sanitizing of entire machine takes only 1 hour

New - LED control board provides at-a-glance machine status

- panels are easily removed for accessibility to all components

- ice machine parts are common across all Symphony Plus dispensers

- stainless steel evaporator and auger deliver long life

Environmentally responsible

- meets Consortium for Energy Efficiency Tier 2 specifications
- R404a refrigerant has zero ozone depletion potential
- ice-only dispensers are ENERGY STAR® certified
- continuous ice making process uses less electricity and water

Durable, attractive dispenser

- frame and exterior cabinet are stainless steel with accent trim
- poly drain pan, grille and dispenser lid are corrosion-resistant

New - secured top lid

Easy installation and industry's best warranty

- comes fully assembled and installs with three easy connections – electric, water and drain
- warranty – 3 years parts and labor, 5 years compressor parts

Accessories

Chilled water option (item# 01063205)

SafeCLEAN™ environmentally responsible ice machine cleaner (item# 00132001)

Nu-Calgon® IMS-II sanitizer, 16 oz bottle (item# 00979674)

Additional filters (refer to form# 6380, 9905, 6070)

Additional Symphony Plus accessories (refer to form# 6710)

Removable ice machine for easy service



Ice and water dispensers, 115V/60 Hz

Ice storage capacity	Dispense	Ice machine cooling	Item number
90 lb (40.9 kg)	Lever	air	110FB425A-L
		water	110FB425W-L
	SensorSAFE	air	110FB425A-S
		water	110FB425W-S

Ice-only available, add -I
Example: 110FB425A-LI

Ice production		
Temperatures air/water	70/50 F (21/10 C)	90/70 F (32/21 C)
Air-cooled	425 lb (193.0 kg)	325 lb (147.6 kg)
Water-cooled	486 lb (220.6 kg)	408 lb (185.2 kg)
Energy consumption per 100 lb (45.4 kg) ice	N/A	6.3 kWh air-cooled 4.3 kWh water-cooled
Condenser water consumption	N/A	0.5 gpm (1.9 Lpm) at 70 F (21 C) water
Water consumption	12.0 gal (45.4 L) of potable water per 100 lb (45.4 kg) of ice	

Job

Item

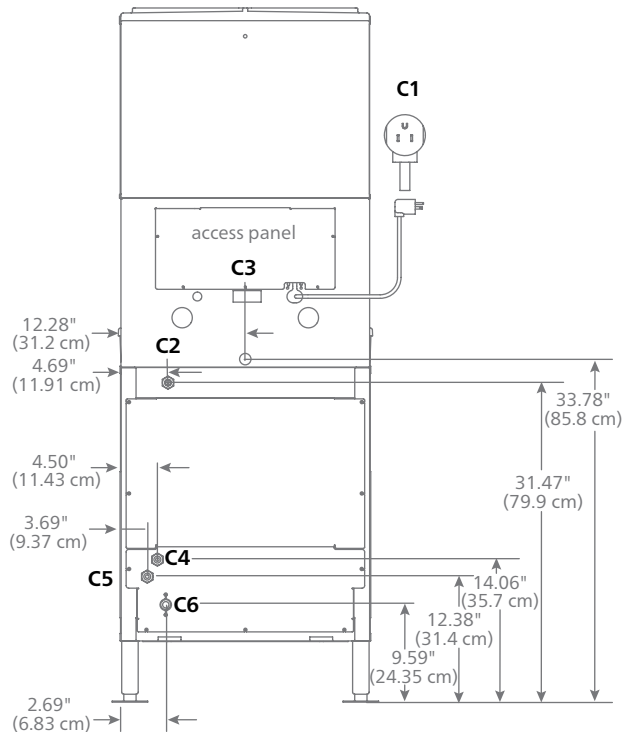
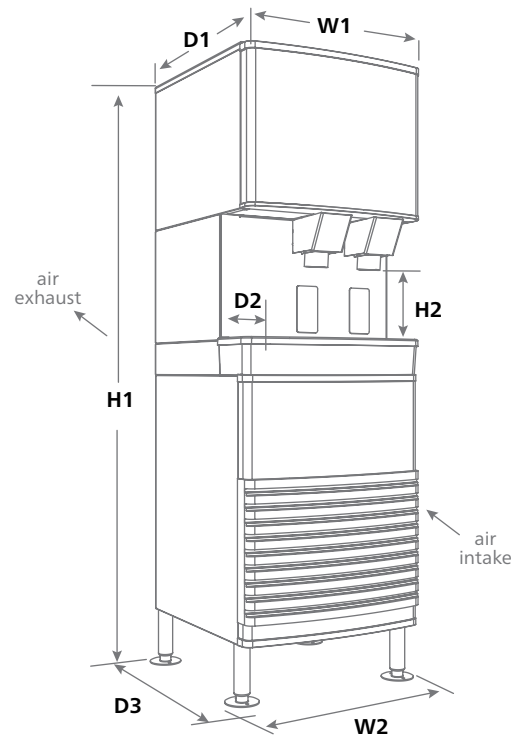
Specification

Ice storage capacity	90 lb (40.9 kg)
W1 Width, top	25.00" (63.5 cm)
W2 Width, bottom	26.25" (66.7 cm)
D1 Depth, top	28.25" (71.8 cm)
D2 Depth, drain pan	7.00" (17.8 cm)
D3 Depth, bottom	29.44" (74.8 cm)
H1 Height	68.12" (173.0 cm)
H2 Dispense height clearance	7.75" (19.68 cm)
Ventilation clearance	air-cooled models only – 4.00" (10.16 cm) rear
Service clearance	12.00" (30.5 cm) top
C1 115 V/60/1 electrical	11 amps, 0.8 kW 7' (2.1 m) cord, NEMA 5-15 90° hospital-grade plug
C2 Potable water inlet, ice machine and dispenser	3/8" FPT
C3 Drain, dispenser	3/4" MPT
Water-cooled ice machine connections	
C4 condenser inlet	3/8" FPT
C5 condenser drain	3/8" FPT
C6 Ice machine drain	3/4" MPT
Air temperature	50 - 100 F (10 - 38 C)
Water temperature	45 - 90 F (7 - 32 C)
Water pressure	10 - 70 psi (69 - 483 kpa)
Heat rejection	air-cooled models – 5000 BTU/hr, water-cooled models – 1400 BTU/hr to air, 3600 BTU/hr to water
Water flow requirement for water-cooled models	0.25 gpm at 50 F 0.5 gpm at 70 F 1.25 gpm at 90 F
Approximate ship weight	290 lb (131.5 kg)

NOTE: For indoor use only

SHORT FORM SPECIFICATION: (Choose one) ___ Ice and water or ___ ice-only dispenser to be Follett® automatic load in freestanding configuration, with 90 lb (40.9 kg) of storage, water station and (choose one) ___ air- or ___ water-cooled ice machine in base. Dispenser frame and cabinet to be stainless steel with plastic trim. Environmentally responsible R404a ice machine to be mounted in base and to be removable as one unit for cleaning and maintenance. Ice machine to produce approximately 425 lb (193.0 kg) per day of Chewblet compressed nugget ice at air temp. of 70 F (21 C), water temp. of 50 F (10 C). Ice machine to be equipped with automatic self-flushing and Quiet Night sleep mode. Dispenser to have automatic bin level control to start and stop ice machine and separate circuitry to allow dispensing to continue with ice machine removed. Dispenser to be equipped with 6.00" (15.24 cm) adjustable legs, flanged feet and lightweight plastic top that allows full access to the ice storage area for manual loading of back-up ice. Storage area to be insulated with non-CFC, high density, foamed-in-place polyurethane. 7' (2.1 m) cord and NEMA 5-15 90° hospital-grade plug provided. NSF and ETL listed.

Dimensional drawing



- 1 Independent third party studies. Contact Follett for details.
- 2 Disclaimer: Antimicrobial protection is limited to the treated components and does not treat water or ice.

Agion is a registered trademark of Sciesent LLC.

ENERGY STAR and the ENERGY STAR mark are registered US marks.

Calgon is a licensed tradename distributed by Nu-Calgon, in the United States.

Symphony Plus, SensorSAFE, SafeCLEAN and Quiet Night are trademarks of Follett Corporation.

Chewblet and Follett are registered trademarks of Follett Corporation, registered in the US.

Follett reserves the right to change specifications at any time without obligation. Certifications may vary depending on country of origin.

110 FB series freestanding