



Symphony™ ice and water dispenser with Chewblet® ice machine

25 & 50 HI series wall mount

Features

- 25 or 50 lb (11.3 or 22.7 kg) ice storage capacity
- Removable air-cooled ice machine with up to 400 lb (181.4 kg) daily production of popular Chewblet ice
 - modular ice machine slides out from behind lower front panel
 - soft, chewable, compressed nugget ice is preferred over cubes¹ and is ideal for patient care
 - environmentally responsible R404a refrigerant with zero ozone depletion potential
 - water and energy efficient
 - stainless steel evaporator and auger
 - quiet production without noisy harvest cycles

Durable, attractive dispenser

- stainless steel exterior with accent trim
- smooth contours for aesthetically appealing appearance
- corrosion-resistant poly dispenser lid

Designed with sanitation in mind

- Agion® silver-based antimicrobial product protection of key ice and water contact components²
- SensorSAFE™ infrared ice dispense reduces the chance of cross-contamination
- SensorSAFE not recommended for use with clear containers or for applications in direct sunlight

Installation

- comes fully assembled
- three easy connections – electric, water and drain

Warranty

- 3 years parts and labor, 5 years compressor parts

Ice and water dispensers				
Ice storage capacity	Dispense	Ice machine cooling	Voltage V/Hz	Item number
25 lb (11.3 kg)	SensorSAFE	air	115/60	25HI400A-S
50 lb (22.7 kg)	SensorSAFE	air	115/60	50HI400A-S

Ice-only available, add -SI or -LI
Example: 25HI400A-SI



Accessories

- Water filter kit (item# 00130229)
- High capacity water filter kit (item# 00978957)
- SafeCLEAN™ environmentally responsible ice machine cleaner (item# 00132001)
- Nu-Calgon® IMS-II sanitizer, 16 oz bottle (item# 00979674)
- Drain pan for countertop conversion³ – 25HI series (item# 00188839), 50HI series (item# 00188821). Contact factory for details.

Job

Item

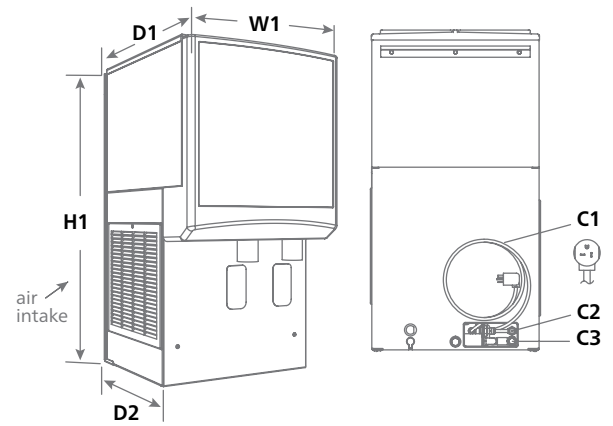
Specification

Ice storage capacity	25 Series – 25 lb (11.3 kg), 50 Series – 50 lb (23.7 kg)
W1 Width	21.50" (54.6 cm)
D1 Depth with upper cover	24.50" (62.2 cm)
D2 Depth	17.00" (43.2 cm)
H1 Height	25 Series – 36.50" (92.7 cm), 50 Series – 40.50" (102.9 cm)
Ventilation clearance	3.00" (7.62 cm) all sides
Service clearance	12.00" (30.5 cm) top, 6.00" (15.24 cm) left side
C1 115 V/60/1 electrical	13 amps, max. fuse 20 amps. 7' (2.1 m) cord, NEMA 5-20 90° hospital-grade plug.
C2 Water inlet	3/8" FPT
C3 Drain	3/4" FPT
Utility connection location	back or bottom
K1 Minimum span – wall bracing required in most applications	16.00" (40.6 cm) on center NOTE: Wall mount bracket standard
K2 Maximum height from sink	18.00" (45.7 cm)
K3 Minimum sink depth	30.00" (76.2 cm)
K4 Minimum sink width	21.00" (53.3 cm) centered on dispenser, 14.50" (36.8 cm) centered on chutes
Air temperature	50 - 100 F (10 - 38 C) indoor use only
Water temperature	40 - 90 F (4 - 32 C)
Water pressure	10 - 70 psi (69 - 483 kpa)
Ice production at 70 F (21 C) ambient air, 50 F (10 C) inlet water	395 lb (179.2 kg)
Ice production at 90 F (32 C) ambient air, 70 F (21 C) inlet water	300 lb (136.1 kg)
Energy consumption 90 F (32 C) air, 70 F (21 C) water	5.7 kWh, per 100 lb (45.4 kg) ice
Heat rejection	5000 BTU/hr, to air, 3600 BTU/hr to water
Water consumption	12.6 gal (47.7 L) of potable water per 100 lb (45.4 kg) of ice
Approximate ship weight	255 lb (115.7 kg)

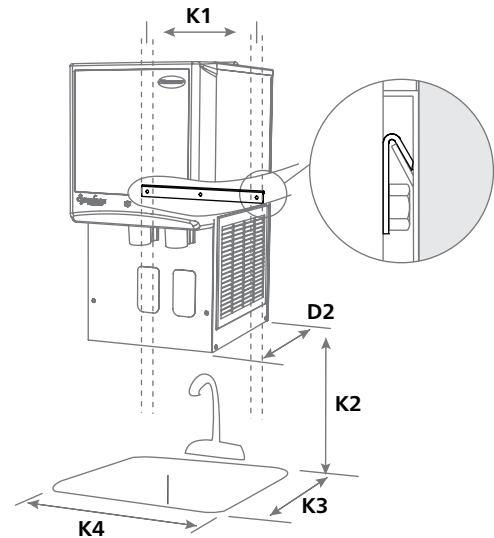
NOTE: For indoor use only

SHORT FORM SPECIFICATION: (Choose one) ___ Ice and water or ___ ice-only dispenser to be Follett® automatic load in wall mount configuration, with ___ 25 lb (11.3 kg) or ___ 50 lb (22.7 kg) of storage. Environmentally responsible R404a ice machine to be air-cooled and to be removable for cleaning and maintenance. Dispenser frame and cabinet to be stainless steel with plastic trim. Ice machine to produce approximately 400 lb (181.4 kg) of Chewblet compressed nugget ice at air temp. of 70 F (21 C), water temp. of 50 F (10 C). Ice machine to be equipped with printed circuit board and diagnostics to allow simplified servicing. Dispenser to have automatic bin level control to start and stop ice machine and lightweight plastic top that allows full access to the ice storage area for easy cleaning and manual loading of back-up ice. Storage area to be insulated with non-CFC, high density, foamed-in-place polyurethane. 7' (2.1 m) cord and NEMA 5-20 90° hospital-grade plug provided. Dispenser to be NSF and ETL listed.

Dimensional drawing



Wall mount detail



- 1 Independent third party studies. Contact Follett for details.
 - 2 Disclaimer: Antimicrobial protection is limited to the treated components and does not treat water or ice.
 - 3 Factory installed accessories must be specified at time of order.
- Agion is a registered trademark of Sciessent LLC.
Calgon is a licensed tradename distributed by Nu-Calgon, in the United States.
Symphony, SensorSAFE and SafeCLEAN are trademarks of Follett Corporation.
Chewblet and Follett are registered trademarks of Follett Corporation, registered in the US.
Follett reserves the right to change specifications at any time without obligation. Certifications may vary depending on country of origin.

25/50 HI series wall mount