



Symphony™ ice and water dispenser with Chewblet® ice machine

12 CI series countertop



Features

Narrow, 16.12" (40.9 cm) width

12 lb (5.4 kg) ice storage capacity

Integral air-cooled ice machine with up to 400 lb (181.4 kg) daily production of popular Chewblet ice

- soft, chewable, compressed nugget ice is preferred over cubes¹ and is ideal for patient care
- environmentally responsible R404a refrigerant with zero ozone depletion potential
- water and energy efficient
- stainless steel evaporator and auger
- quiet production without noisy harvest cycles
- slide-out electrical box with diagnostic circuit board

Durable, attractive dispenser

- stainless steel exterior with accent trim
- smooth contours for aesthetically appealing appearance
- corrosion-resistant poly drain pan and dispenser lid

Designed with sanitation in mind

- Agion® silver-based antimicrobial product protection of key ice and water contact components²
- one-hand lever or SensorSAFE™ infrared ice dispense reduces the chance of cross-contamination
- SensorSAFE not recommended for use with clear containers or for applications in direct sunlight

Installation

- comes fully assembled
- three easy connections – electric, water and drain

Warranty

- 3 years parts and labor, 5 years compressor parts

SensorSAFE infrared dispense (optional)

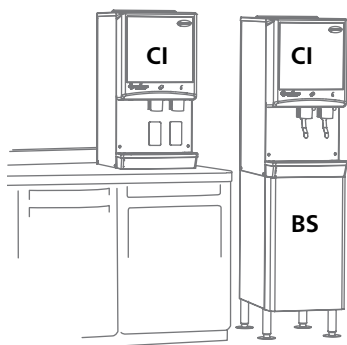


| Ice and water dispensers | | | | |
|--------------------------|----------|---------------------|--------------|--------------------|
| Ice storage capacity | Dispense | Ice machine cooling | Voltage V/Hz | Item number |
| | | | 220/60 | C12CI400A-L |
| | | | 230/50 | E12CI400A-L |
| | | | 220/60 | C12CI400A-S |
| | | | 230/50 | E12CI400A-S |

Ice-only available, add -SI or -LI
Example: 12CI400A-LI

Accessories

- BS** – Base stand (item# AF12CABINET)
- Water filter kit (item# 00130229)
- High capacity water filter kit (item# 00978957)
- Carbonless water filter kit (item# 01050442)
- 4.00" (10.16 cm) leg kit (item# AF10LBLEGS)
- SafeCLEAN™ environmentally responsible ice machine cleaner (item# 00132001)
- Nu-Calgon® IMS-II sanitizer, 16 oz bottle (item# 00979674)



Job _____

Item _____

Follett Europe Polska Sp. z o.o.
Mokry Dwór 26C 83-021 Wiślina, Poland
+48 (58) 785-6140 | Fax: +48 (58) 785-6159
folletteurope.com

801 Church Lane | Easton, PA 18040, USA
1.610.252.7301 | Fax: +1.610.250.0696 | follettice.com

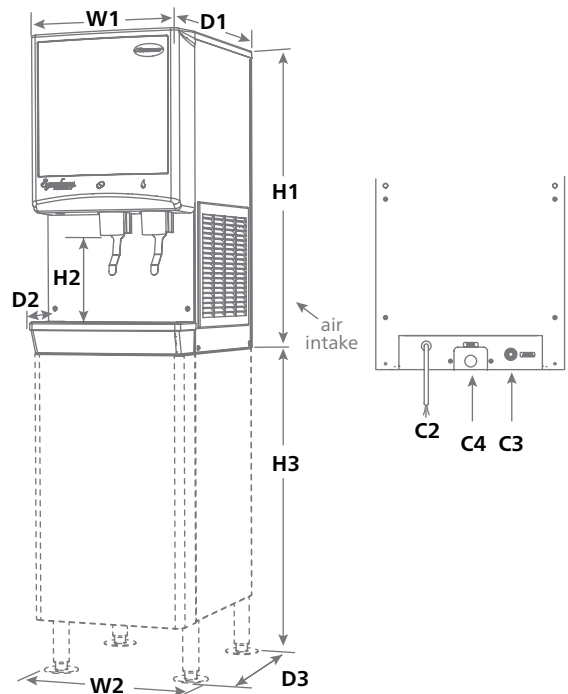
FOLLETT[®]
Innovative solutions, inspired by ice

Specification

| | |
|--|--|
| Ice storage capacity | 12 lb (5.4 kg) |
| W1 Width | 16.12" (40.9 cm) |
| W2 Width, base stand accessory | 17.5" (44.4 cm) |
| D1 Depth, dispenser | 23.50" (59.7 cm) |
| D2 Depth, drain pan | 5.50" (13.97 cm) |
| D3 Depth, base stand accessory | 22.00" (55.9 cm) |
| H1 Height, dispenser | 32.50" (82.6 cm) |
| H2 Dispense height clearance | 9.38" (23.83 cm) |
| H3 Height, base stand accessory | 33.00" (83.8 cm) |
| Ventilation clearance | 6.00" (15.24 cm) top and right side |
| Service clearance | 12.00" (30.5 cm) top |
| C2 220 V/60/1 ("C" models) / 230 V/50/1 ("E" models) electrical | 6.5 amps. 8.5' (2.6 m) cord only. |
| C3 Water inlet | 3/8" FPT (230 V/50 model includes kit to connect to BSP water fittings) |
| C4 Drain | 3/4" FPT |
| Utility connection location | through back or bottom |
| Air temperature | 50 - 100 F (10 - 38 C) |
| Water temperature | 40 - 90 F (4 - 32 C) |
| Water pressure | 10 - 70 psi (69 - 483 kpa) |
| Ice production at 70 F (21 C) ambient air, 50 F (10 C) inlet water | 417 lb (189.1 kg) |
| Ice production at 90 F (32 C) ambient air, 70 F (21 C) inlet water | 280 lb (127.0 kg) |
| Energy consumption 90 F (32 C) air, 70 F (21 C) water | 5.7 kWh per 100 lb (45.4 kg) ice |
| Heat rejection | 5000 BTU/hr |
| Water consumption | 12.6 gal (47.7 L) of potable water per 100 lb (45.4 kg) of ice |
| Approximate ship weight | 199 lb (90.2 kg) |
| Approximate ship weight, base stand accessory | 80 lb (36 kg) |
| NOTE: For indoor use only | |

SHORT FORM SPECIFICATION: (Choose one) ___ Ice and water or ___ ice-only dispenser to be Follett® automatic load in countertop configuration, with 12 lb (5.4 kg) of storage and separate ice and water chutes. Dispenser cabinet to be of stainless steel. Environmentally responsible R404a air-cooled ice machine to have 24 hour production capacity of approximately 400 lb (181.4 kg) of Chewblet compressed nugget ice at water temp. of 70 F (21 C); air temp. of 90 F (32 C). Ice machine to be equipped with printed circuit board and diagnostics to allow simplified servicing. Dispenser to have automatic bin level control to start and stop ice machine. Storage area to be insulated with non-CFC, high density, foamed-in-place polyurethane. 8.5' (2.6 m) cord only provided. 220 V and 230 V dispensers NSF listed. 230 V dispensers CE listed.

Dimensional drawing



Note: See dispenser detail sheet, form# 2075, for counter cutouts.

1 Independent third party studies. Contact Follett for details.

2 Disclaimer: Antimicrobial protection is limited to the treated components and does not treat water or ice.

Agion is a registered trademark of Sciessent LLC.

Calgon is a licensed tradename distributed by Nu-Calgon, in the United States.

Symphony, SensorSAFE and SafeCLEAN are trademarks of Follett Corporation.

Chewblet and Follett are registered trademarks of Follett Corporation, registered in the US.

Follett reserves the right to change specifications at any time without obligation. Certifications may vary depending on country of origin.

12 CI series countertop

Form #2060 INT 09/14
© 2013 Follett Corporation



Follett Europe Polska Sp. z o.o.
Mokry Dwór 26C 83-021 Wiślina, Poland
+48 (58) 785-6140 | Fax: +48 (58) 785-6159
folletteurope.com

801 Church Lane | Easton, PA 18040, USA
1.610.252.7301 | Fax: +1.610.250.0696 | follette.com

FOLLETT
Innovative solutions, inspired by ice