



# Symphony™ ice and water dispenser with Chewblet® ice machine

12 HI series wall mount



## Features

Narrow, 16.00" (40.6 cm) width

12 lb (5.4 kg) ice storage capacity

Integral air-cooled ice machine with up to 400 lb (181.4 kg) daily production of popular Chewblet ice

- soft, chewable, compressed nugget ice is preferred over cubes<sup>1</sup> and is ideal for patient care
- environmentally responsible R404a refrigerant with zero ozone depletion potential
- water and energy efficient
- stainless steel evaporator and auger
- quiet production without noisy harvest cycles
- slide-out electrical box with diagnostic circuit board

## Durable, attractive dispenser

- stainless steel exterior with accent trim
- smooth contours for aesthetically appealing appearance
- corrosion-resistant poly dispenser lid

## Designed with sanitation in mind

- Agion® silver-based antimicrobial product protection of key ice and water contact components<sup>2</sup>
- SensorSAFE™ infrared ice dispense reduces the chance of cross-contamination
- SensorSAFE not recommended for use with clear containers or for applications in direct sunlight

## Installation

- comes fully assembled
- three easy connections – electric, water and drain

## Warranty

- 3 years parts and labor, 5 years compressor parts

Ice and water dispensers				
Ice storage capacity	Dispense	Ice machine cooling	Voltage V/Hz	Item number
<b>12 lb (5.4 kg)</b>	SensorSAFE	air	220/60	<b>C12HI400A-S</b>
			230/50	<b>E12HI400A-S</b>



## Accessories

- Water filter kit (item# 00130229)
- High capacity water filter kit (item# 00978957)
- Carbonless water filter kit (item# 01050442)
- SafeCLEAN™ environmentally responsible ice machine cleaner (item# 00132001)
- Nu-Calgon® IMS-II sanitizer, 16 oz bottle (item# 00979674)
- Drain pan for countertop conversion <sup>3</sup> (item# AFWHWDRPAN)

## Job

## Item

Follett Europe Polska Sp. z o.o.  
 Mokry Dwór 26C 83-021 Wiślina, Poland  
 +48 (58) 785-6140 | Fax: +48 (58) 785-6159  
 folletteurope.com

801 Church Lane | Easton, PA 18040, USA  
 1.610.252.7301 | Fax: +1.610.250.0696 | follettice.com

**FOLLETT**®  
 Innovative solutions, inspired by ice

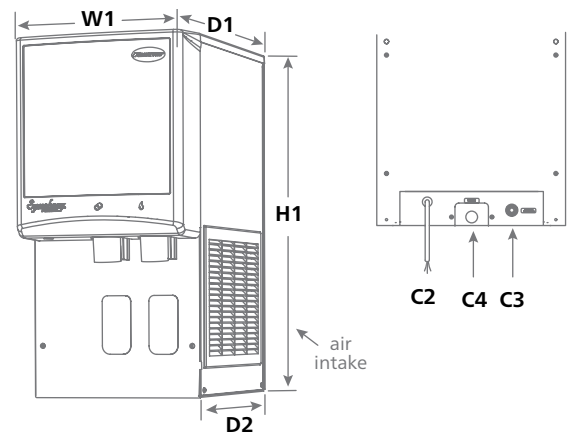
## Specification

Ice storage capacity	12 lb (5.4 kg)
<b>W1</b> Width	16.12" (40.9 cm)
<b>D1</b> Depth with upper cover	23.50" (59.7 cm)
<b>D2</b> Depth	18.50" (47.0 cm)
<b>H1</b> Height	32.50" (82.6 cm)
Ventilation clearance	6.00" (15.24 cm) top and right side
Service clearance	12.00" (30.5 cm) top
<b>C2</b> 220 V/60/1 ("C" models)/ 230 V/50/1 ("E" models) electrical	6.5 amps. 8.5' (2.6 m) cord only.
<b>C3</b> Water inlet	3/8" FPT (230 V/50 model includes kit to connect to BSP water fittings)
<b>C4</b> Drain	3/4" FPT
Utility connection location	through back
<b>K1</b> Minimum span	13.00" (33.0 cm) on center mounting for securing and will require wall bracing in most applications. NOTE: Wall mount bracket standard
<b>K2</b> Maximum height from sink	18.00" (45.7 cm)
<b>K3</b> Minimum sink depth	30.00" (76.2 cm)
<b>K4</b> Minimum sink width	16.00" (40.6 cm) centered on dispenser, 11.50" (29.2 cm) centered on chutes
Air temperature	50 - 100 F (10 - 38 C) indoor use only
Water temperature	40 - 90 F (4 - 32 C)
Water pressure	10 - 70 psi (69 - 483 kpa)
Ice production at 70 F (21 C) ambient air, 50 F (10 C) inlet water	417 lb (189.1 kg)
Ice production at 90 F (32 C) ambient air, 70 F (21 C) inlet water	280 lb (127.0 kg)
Energy consumption 90 F (32 C) air, 70 F (21 C) water	5.7 kWh per 100 lb (45.4 kg) ice
Heat rejection	5000 BTU/hr
Water consumption	12.6 gal (47.7 L) of potable water per 100 lb (45.4 kg) of ice
Approximate ship weight	199 lb (90.2 kg)

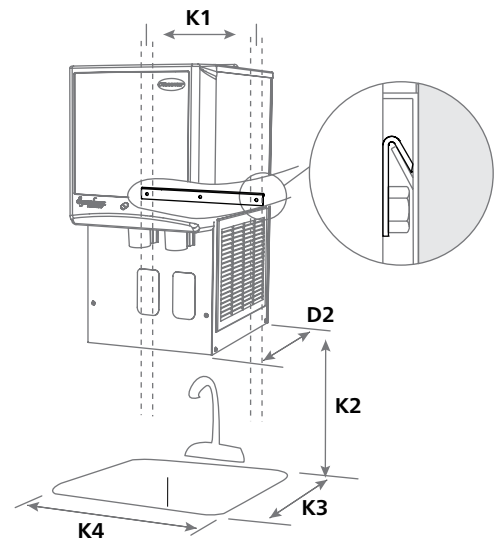
NOTE: For indoor use only

**SHORT FORM SPECIFICATION:** Ice and water dispenser to be Follett® automatic load in wall mount configuration, with 12 lb (5.4 kg) of storage and separate ice and water chutes. Dispenser cabinet to be of stainless steel. Environmentally responsible R404a air-cooled ice machine to have 24 hour production capacity of approximately 400 lb (181.4 kg) of Chewblet compressed nugget ice at water temp. of 70 F (21 C); air temp. of 90 F (32 C). Ice machine to be equipped with printed circuit board and diagnostics to allow simplified servicing. Dispenser to have automatic bin level control to start and stop ice machine. Storage area to be insulated with non-CFC, high density, foamed-in-place polyurethane. 8.5' (2.6 m) cord only provided for 220 V/230 V models). 220 V and 230 V dispensers to be NSF listed. 230 V dispensers to be CE listed.

## Dimensional drawing



## Wall mount detail



- 1 Independent third party studies. Contact Follett for details.
  - 2 Disclaimer: Antimicrobial protection is limited to the treated components and does not treat water or ice.
  - 3 Factory installed accessories must be specified at time of order. Contact factory for details.
- Agion is a registered trademark of Sciessent LLC.  
Calgon is a licensed tradename distributed by Nu-Calgon, in the United States.  
Symphony, SensorSAFE and SafeCLEAN are trademarks of Follett Corporation.  
Chewblet and Follett are registered trademarks of Follett Corporation, registered in the US.  
Follett reserves the right to change specifications at any time without obligation. Certifications may vary depending on country of origin.

## 12 HI series wall mount

Form #6115 INT 09/14  
© 2013 Follett Corporation



Follett Europe Polska Sp. z o.o.  
Mokry Dwór 26C 83-021 Wiślina, Poland  
+48 (58) 785-6140 | Fax: +48 (58) 785-6159  
folletteurope.com

801 Church Lane | Easton, PA 18040, USA  
1.610.252.7301 | Fax: +1.610.250.0696 | follette.com

**FOLLETT**  
Innovative solutions, inspired by ice