

Symphony™ ice and water dispenser with Chewblet® ice machine

25 & 50 FB series freestanding



Removable ice machine for easy service



Features

25 or 50 lb (11.3 or 22.7 kg) ice storage capacity

Removable air-or water-cooled ice machine with up to 400 lb (181.4 kg) daily production of popular Chewblet ice

- soft, chewable, compressed nugget ice is preferred over cubes¹ and is ideal for patient care
- environmentally responsible R404a refrigerant with zero ozone depletion potential
- water and energy efficient
- stainless steel evaporator and auger
- quiet production without noisy harvest cycles

Durable, attractive dispenser

- stainless steel exterior with accent trim
- smooth contours for aesthetically appealing appearance
- corrosion-resistant poly drain pan and dispenser lid

Designed with sanitation in mind

- Agion® silver-based antimicrobial product protection of key ice and water contact components²
- one-hand lever or SensorSAFE™ infrared ice dispense reduces the chance of cross-contamination
- SensorSAFE not recommended for use with clear containers or for applications in direct sunlight

Installation

- comes fully assembled
- three easy connections – electric, water and drain

Warranty

- 3 years parts and labor, 5 years compressor parts

Accessories

- Chilled water option (item# AFH20CHIL2550)
- Water filter kit (item# 00130229)
- High capacity water filter kit (item# 00978957)
- Carbonless water filter kit (item# 01050442)
- SafeCLEAN™ environmentally responsible ice machine cleaner (item# 00132001)
- Nu-Calgon® IMS-II sanitizer, 16 oz bottle (item# 00979674)
- Casters (item# AFCASTERKIT)

Ice and water dispensers				
Ice storage capacity	Dispense	Ice machine cooling	Voltage V/Hz	Item number
25 lb (11.3 kg)	lever	air	220/60	C25FB400A-L
			230/50	E25FB400A-L
	SensorSAFE	air	220/60	C25FB400W-L
			230/50	E25FB400W-L
	SensorSAFE	water	220/60	C25FB400A-S
			230/50	E25FB400A-S
50 lb (22.7 kg)	lever	air	220/60	C50FB400A-L
			230/50	E50FB400A-L
	SensorSAFE	air	220/60	C50FB400W-L
			230/50	E50FB400W-L
	SensorSAFE	water	220/60	C50FB400A-S
			230/50	E50FB400A-S

Job

Item

Follett Europe Polska Sp. z o.o.
Mokry Dwór 26C 83-021 Wiślina, Poland
+48 (58) 785-6140 | Fax: +48 (58) 785-6159
folletteurope.com

801 Church Lane | Easton, PA 18040, USA
1.610.252.7301 | Fax: +1.610.250.0696 | follette.com

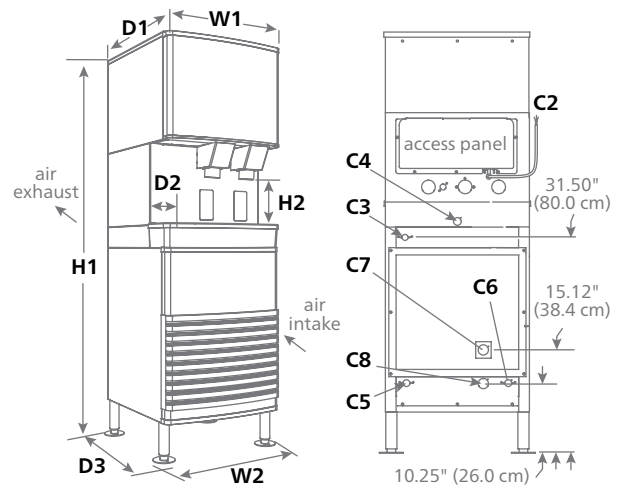
FOLLETT®
Innovative solutions, inspired by ice

Specification

Ice storage capacity	25 Series – 25 lb (11.3 kg), 50 Series – 50 lb (23.7 kg)
W1 Width	21.00" (53.3 cm)
W2 Width	22.75" (57.8 cm)
D1 Depth	23.62" (59.9 cm)
D2 Depth, drain pan	7.00" (17.8 cm)
D3 Depth, base stand accessory	24.38" (61.9 cm)
H1 Height	25 Series – 62.12" (157.8 cm), 50 Series – 66.12" (167.9 cm)
H2 Dispense height clearance	7.62" (19.4 cm)
Ventilation clearance	air-cooled models only – 4.00" (10.16 cm) rear
Service clearance	12.00" (30.5 cm) top
C2 220 V/60/1 ("C" models) / 230 V/50/1 ("E" models) electrical	6.5 amps. 7' (2.1 m) cord only.
C3 Water inlet, ice machine	3/8" FPT (230 V/50 model includes kit to connect to BSP water fittings)
C4 Drain, dispenser	3/4" FPT
Drain, ice machine	
C5 air-cooled models	3/4" MPT
C6 water-cooled models	3/4" MPT
Water-cooled model connections	
C7 condenser inlet	3/8" FPT
C8 condenser drain	3/8" FPT
Air temperature	50 - 100 F (10 - 38 C) indoor use only
Water temperature	40 - 90 F (4 - 32 C)
Water pressure	10 - 70 psi (69 - 483 kpa)
Ice production at 70 F (21 C) ambient air, 50 F (10 C) inlet water	air-cooled – 454 lb (205.9 kg), water-cooled – 447 lb (202.8 kg)
Ice production at 90 F (32 C) ambient air, 70 F (21 C) inlet water	air-cooled – 323 lb (146.5 kg), water-cooled – 371 lb (168.3 kg)
Energy consumption 90 F (32 C) air, 70 F (21 C) water	air-cooled models – 5.7 kWh, water-cooled models – 5.5 kWh per 100 lb (45.4 kg) ice
Heat rejection	air-cooled models – 5000 BTU/hr, water-cooled models – 1400 BTU/hr to air, 3600 BTU/hr to water
Water consumption	12.6 gal (47.7 L) of potable water per 100 lb (45.4 kg) of ice
Water flow requirement for water-cooled models	73 gallons/ 100 lb of ice (276 L/ 45.4 kg)
Approximate ship weight	230 lb (105 kg)
NOTE: For indoor use only	

SHORT FORM SPECIFICATION: (Choose one) ___ Ice and water or ___ ice-only dispenser to be Follett® automatic load in freestanding configuration, with ___ 25 lb (11.3 kg) or ___ 50 lb (22.7 kg) of storage, water station and (choose one) ___ air- or ___ water-cooled ice machine in base. Dispenser frame and cabinet to be stainless steel with plastic trim. Environmentally responsible R404a ice machine to be mounted in base and to be removable as one unit for cleaning and maintenance. Ice machine to produce approximately 400 lb (181.4 kg) per day of Chewblet compressed nugget ice at air temp. of 70 F (21 C), water temp. of 50 F (10 C) and to be equipped with printed circuit board with diagnostics for servicing. Dispenser to have automatic bin level control to start and stop ice machine and separate circuitry to allow dispensing to continue with ice machine removed. Dispenser to be equipped with 6.00" (15.24 cm) adjustable legs, flanged feet and lightweight plastic top that allows full access to the ice storage area for manual loading of back-up ice. Storage area to be insulated with non-CFC, high density, foamed-in-place polyurethane. 7' (2.1 m) cord provided for 220 V/230 V models. 220 V and 230 V dispensers to be NSF listed. 230 V dispensers to be CE listed.

Dimensional drawing



- 1 Independent third party studies. Contact Follett for details.
- 2 Disclaimer: Antimicrobial protection is limited to the treated components and does not treat water or ice.

Agion is a registered trademark of Sciessent LLC.

Calgon is a licensed tradename distributed by Nu-Calgon, in the United States.

Symphony, SensorSAFE and SafeCLEAN are trademarks of Follett Corporation.

Chewblet and Follett are registered trademarks of Follett Corporation, registered in the US.

Follett reserves the right to change specifications at any time without obligation. Certifications may vary depending on country of origin.

25/50 FB series freestanding