

Symphony™ ice and water dispenser with Chewblet® ice machine

110 FB series freestanding



Features

90 lb (40.8 kg) ice storage capacity

Removable air-or water-cooled ice machine with up to 400 lb (181.4 kg) daily ice production

- soft, chewable compressed nugget ice is preferred over cubes¹
- environmentally responsible R404A refrigerant with zero ozone depletion potential
- stainless steel evaporator and auger
- quiet production without noisy harvest cycles

Durable dispenser construction, upscale look

- high-quality stainless exterior with accent trim
- corrosion-resistant poly drain pan and dispenser lid
- smooth contours for aesthetically appealing appearance

Sanitary SensorSAFE™ infrared dispense

- easy one-hand operation
- eliminates container to dispenser contact to reduce the chance of cross-contamination
- not recommended for use with clear containers or for applications in direct sunlight

Agion® antimicrobial protection²

- silver-based antimicrobial treatment of key ice and water contact components

Fast installation

- comes fully assembled
- three easy connections – electric, water and drain

Warranty

- 3 years parts and labor, 5 years compressor parts

Removable ice machine for easy service



Ice and water dispensers					
Ice storage capacity	Dispense	Ice machine cooling	Voltage V/Hz	Item number	
			220/60	C110FB400A-L	
			230/50	E110FB400A-L	
			220/60	C110FB400W-L	
			230/50	E110FB400W-L	
				220/60	C110FB400A-S
				230/50	E110FB400A-S
				220/60	C110FB400W-S
				230/50	E110FB400W-S

Ice-only available, add -SI or -LI
Example: 110FB400A-LI

Accessories

Chilled water option (item# AFH2OCHIL110)

Water filter kit (item# 00130229)

High capacity water filter kit (item# 00978957)

Carbonless water filter kit (item# 01050442)

SafeCLEAN™ environmentally responsible ice machine cleaner (item# 00132001)

Nu-Calgon® IMS-II sanitizer, 16 oz bottle (item# 00979674)

Casters (item# AFCASTERKIT)

Job

Item

Follett Europe Polska Sp. z o.o.
Mokry Dwór 26C 83-021 Wiślna, Poland
+48 (58) 785-6140 | Fax: +48 (58) 785-6159
folletteurope.com

801 Church Lane | Easton, PA 18040, USA
1.610.252.7301 | Fax: +1.610.250.0696 | follettice.com

FOLLETT[®]
Innovative solutions, inspired by ice

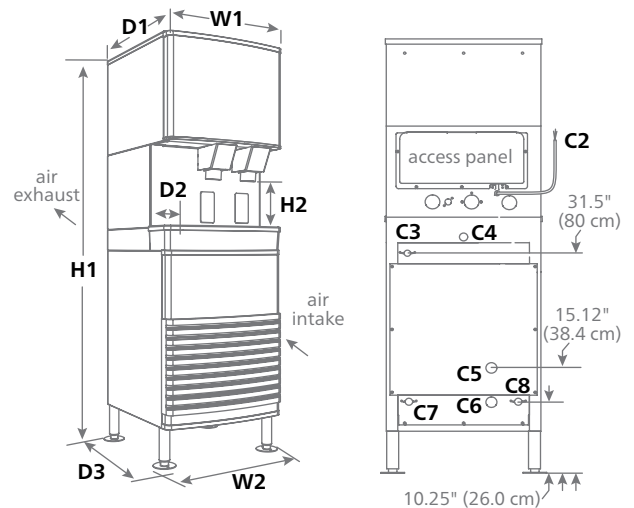
Specification

Ice storage capacity	90 lb (40.8 kg)
W1 Width	24.50" (62.2 cm)
W2 Width	26.25" (66.7 cm)
D1 Depth	28.25" (71.8 cm)
D2 Depth, drain pan	7.00" (17.8 cm)
H1 Height	68.12" (173.0 cm)
H2 Dispense height clearance	7.62" (19.35 cm)
Ventilation clearance	air-cooled models only – 4.00" (10.16 cm) rear
Service clearance	12.00" (30.5 cm) top
C2 220 V/60/1 ("C" models) / 230 V/50/1 ("E" models) electrical	6.5 amps. 7' (2.1 m) cord only.
C3 Water inlet, ice machine	3/8" FPT (230 V/50 model includes kit to connect to BSP water fittings)
C4 Drain	3/4" FPT
Ice machine water-cooled connections	
C5 condenser inlet	3/8" FPT
C6 condenser drain	3/8" FPT
Ice machine drain	
C7 air-cooled models	3/4" MPT
C8 water-cooled models	3/4" MPT
Air temperature	50 - 100 F (10 - 38 C) indoor use only
Water temperature	40 - 90 F (4 - 32 C)
Water pressure	10 - 70 psi (69 - 483 kpa)
Ice production at 70 F (21 C) ambient air 50 F (10 C) inlet water	air-cooled – 454 lb (205.9 kg), water-cooled – 447 lb (202.8 kg)
Ice production at 90 F (32 C) ambient air, 70 F (21 C) inlet water	air-cooled – 323 lb (146.5 kg), water-cooled – 371 lb (168.3 kg)
Energy consumption 90 F (32 C) air, 70 F (21 C) water	air-cooled models – 5.7 kWh, water-cooled models – 5.5 kWh per 100 lb (45.4 kg) ice
Heat rejection	air-cooled models – 5000 BTU/hr, water-cooled models – 1400 BTU/hr to air, 3600 BTU/hr to water
Water consumption	12.6 gal (47.7 L) of potable water per 100 lb (45.4 kg) of ice
Water flow requirement for water- cooled models	73 gallons/100 lb of ice (276 L/ 45.4 kg)
Approximate ship weight	290 lb (131.5 kg)

NOTE: For indoor use only

SHORT FORM SPECIFICATION: (Choose one) ___ Ice and water or ___ ice-only dispenser to be Follett® automatic load in freestanding configuration, with 90 lb (40.8 kg) of storage, water station and (choose one) ___ air- or ___ water-cooled ice machine in base. Dispenser frame and cabinet to be stainless steel with plastic trim. Environmentally responsible R404a ice machine to be mounted in base and to be removable as one unit for cleaning and maintenance. Ice machine to produce approximately 400 lb (181.4 kg) per day of Chewblet compressed nugget ice at air temp. of 70 F (21 C), water temp. of 50 F (10 C) and to be equipped with printed circuit board with diagnostics for servicing. Dispenser to have automatic bin level control to start and stop ice machine and separate circuitry to allow dispensing to continue with ice machine removed. Dispenser to be equipped with 6.00" (15.24 cm) adjustable legs, flanged feet and lightweight plastic top that allows full access to the ice storage area for manual loading of back-up ice. Storage area to be insulated with non-CFC, high density, foamed-in-place polyurethane. 7' (2.1 m) cord only provided with 220 V/230 V models. 220 V and 230 V dispensers NSF listed. 230 V dispensers CE listed.

Dimensional drawing



- 1 Independent third party studies. Contact Follett for details.
- 2 Disclaimer: Antimicrobial protection is limited to the treated components and does not treat water or ice.

Agion is a registered trademark of Sciescent LLC.

Calgon is a licensed tradename distributed by Nu-Calgon, in the United States.

Symphony, SensorSAFE and SafeCLEAN are trademarks of Follett Corporation.

Chewblet and Follett are registered trademarks of Follett Corporation, registered in the US.

Follett reserves the right to change specifications at any time without obligation. Certifications may vary depending on country of origin.

110 FB series freestanding

Form #2100 INT 09/14
© 2013 Follett Corporation



Follett Europe Polska Sp. z o.o.
Mokry Dwór 26C 83-021 Wiślina, Poland
+48 (58) 785-6140 | Fax: +48 (58) 785-6159
folletteurope.com

801 Church Lane | Easton, PA 18040, USA
1.610.252.7301 | Fax: +1.610.250.0696 | follette.com

FOLLETT
Innovative solutions, inspired by ice