



### Short form specification:

Ice machine to be a Follett® Horizon Chewblet ice machine model \_\_\_\_\_ [Insert size/series, condenser type & installation/mounting, from model number guide] self contained 700 □ self contained air-cooled □ self contained water-cooled capable of producing compressed nugget ice using an efficient, sanitary horizontal evaporator/auger system and delivering ice by a flexible wire reinforced transport tube to □ ice storage bin, □ ice and water dispenser, □ ice and beverage dispenser, □ drop-in dispenser and provided with a stainless steel frame and exterior, slide-out compressor/condenser with utility docking station, front-mounted unit status display, automatic self-flush, and semi-automatic cleaning & sanitizing system, plus all the features listed:

### Features

Horizon Chewblet ice machine with up to 675 lb (306.2 kg) daily production of customer preferred Chewblet ice

- automatically transport ice through a tube with RIDE® technology from up to 75' (22.8 m) away (10' (3 m) for Micro Chewblet ice)
- chewable, compressed nugget ice is preferred over cubes<sup>1</sup>
- Chewblet ice dispenses reliably from ice and beverage dispensers
- available with approximately 1.00" (2.54 cm) long standard Chewblet ice or optional 3/8" (0.95 cm) long Micro Chewblet ice
- environmentally responsible R404a refrigerant with zero ozone depletion potential
- water and energy efficient
- quiet production without noisy harvest cycles

### Durable, attractive ice machine

- regular bearing inspection or replacement is not required
- easy-to-read LED operating status and diagnostic display
- smooth contours for aesthetically appealing appearance

### Designed with sanitation in mind

- Agion® silver-based antimicrobial product protection of key ice and water contact components<sup>2</sup>
- aluminum-bronze evaporator has antimicrobial properties
- automatic self-flushing reduces water scale buildup
- floatless, sealed design inhibits formation of biofilms
- semi-automatic cleaning and sanitizing system

### Agency approvals



### Warranty

- 3 years parts and labor, 5 years compressor parts

Horizon self contained 700 series ice machine				
Use/ application	Install/ mount	Condenser	V/Hz/Ph	Item number
with ice storage bin	top mount	air	115/60/1	<b>HCD700ABT†</b>
			208-230/60/1	<b>HCC700ABT†</b>
			230/50/1	<b>HCE700ABT</b>
		water	115/60/1	<b>HCD700WBT</b>
			208-230/60/1	<b>HCC700WBT</b>
			230/50/1	<b>HCE700WBT</b>
	RIDE	air	115/60/1	<b>HCD700ABS†</b>
			208-230/60/1	<b>HCC700ABS†</b>
			230/50/1	<b>HCE700ABS</b>
		water	115/60/1	<b>HCD700WBS</b>
			208-230/60/1	<b>HCC700WBS</b>
			230/50/1	<b>HCE700WBS</b>
with Follett Vision™ dispenser	RIDE	air	115/60/1	<b>HCD700AVS†</b>
			208-230/60/1	<b>HCC700AVS†</b>
			230/50/1	<b>HCE700AVS</b>
	water	115/60/1	<b>HCD700WVS</b>	
		208-230/60/1	<b>HCC700WVS</b>	
		230/50/1	<b>HCE700WVS</b>	
with ice and beverage dispenser (by others)	top mount	air	115/60/1	<b>HCD700AHT*†</b>
			208-230/60/1	<b>HCC700AHT*†</b>
			230/50/1	<b>HCE700AHT*</b>
		water	115/60/1	<b>HCD700WHT*</b>
			208-230/60/1	<b>HCC700WHT*</b>
			230/50/1	<b>HCE700WHT*</b>
	RIDE	air	115/60/1	<b>HCD700AHS†</b>
			208-230/60/1	<b>HCC700AHS†</b>
			230/50/1	<b>HCE700AHS</b>
		water	115/60/1	<b>HCD700WHS</b>
			208-230/60/1	<b>HCC700WHS</b>
			230/50/1	<b>HCE700WHS</b>
with drop-in dispenser (by others)	RIDE	air	115/60/1	<b>HCD700AJS†</b>
			208-230/60/1	<b>HCC700AJS†</b>
			230/50/1	<b>HCE700AJS</b>
	water	115/60/1	<b>HCD700WJS</b>	
		208-230/60/1	<b>HCC700WJS</b>	
		230/50/1	<b>HCE700WJS</b>	

† ENERGY STAR® qualified

\* Requires Harmony™ top kit (see page 4)

NOTE: For Micro Chewblet ice, replace second character (C) with an M e.g. HMD700ABT

Job

Item

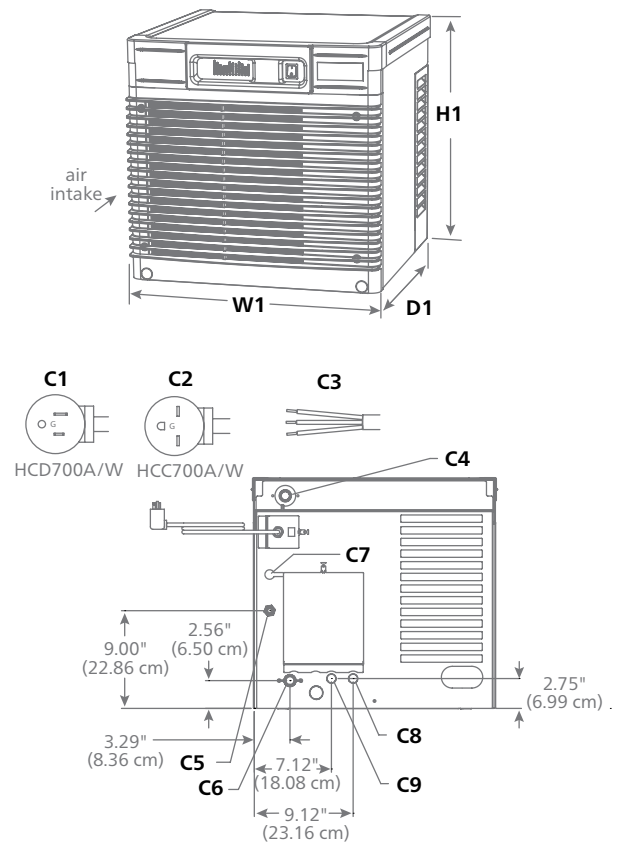
## Accessories

- Harmony conversion top kit for ice and beverage dispensers (listed on page 4)
- Water filter kit (item# 00978957 – see form# 9905 for details)
- Wall mount bracket (item# 00997098 – see form# 3311 for details)
- Ice machine stand, height-adjustable (item# 00997080)
- Timer to control one or two Horizon ice machines (item# 00967265 – see form# 3311 for details)
- Longer ice transport tube (10'3 m is standard) – Specify length:  
 \_\_\_\_ ft/m in 5'1.5 m increments

## Specification

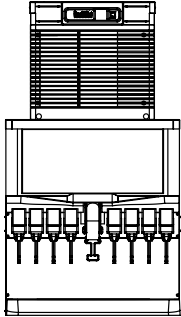
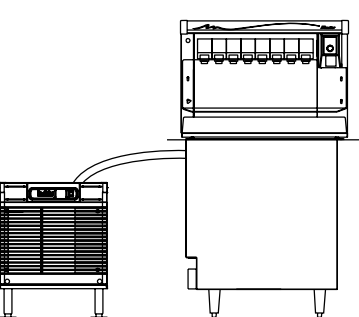
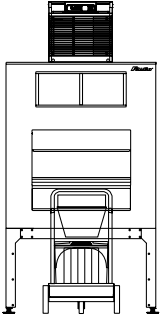
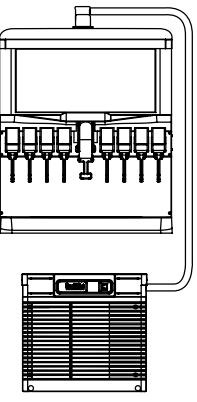
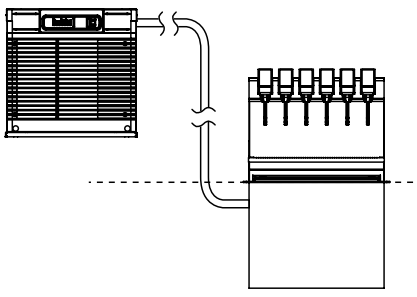
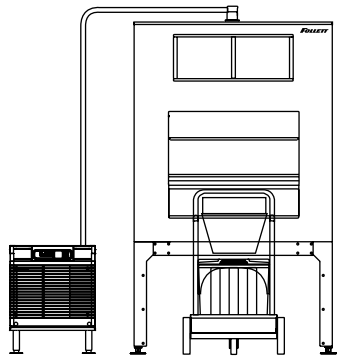
<b>W1</b> Width	22.62" (57.4 cm) Fits on 22.00" wide dispensers
<b>D1</b> Depth	24.25" (61.6 cm)
<b>H1</b> Height	21.12" (53.6 cm)
Ventilation clearance air-cooled models only	Top mount – 1.00" (2.54 cm), RIDE – See page 5-6 for details
<b>C1</b> Electrical 115 V/60/1 – HCD700 models	6.5 amps, requires dedicated 15 amp circuit, 6.5' (2 m) cord, NEMA 5-15 plug.
<b>C2</b> Electrical 208-230 V/60/1 – HCC700 models	7.0 amps, requires dedicated 15 amp circuit, 6.5' (2 m) cord, NEMA 6-15 plug.
<b>C3</b> Electrical 230 V/50/1 – HCE700 models	7.0 amps, requires dedicated 15 amp circuit, 6.5' (2 m) cord only. Separate circuits required for each ice machine.
<b>C4</b> Ice transport tube	See page 7 for details
<b>C5</b> Water inlet	3/8" OD push-in water inlet
<b>C6</b> Drain	3/4" MPT - vented T required
<b>C7</b> Ice bin signal cord	for Vision applications only
Water-cooled ice machine connections	<b>C8</b> – 1/4" FPT condenser inlet, <b>C9</b> – 1/4" FPT condenser outlet
Air temperature	50 -100 F (10 - 38 C)
Water temperature	45 - 90 F (7 - 32 C)
Potable water pressure	10 - 70 psi (69 - 483 kPa)
Condenser water pressure	30 - 150 psi (207-1034 kPa)
Ice production	See ice production charts on page 8
Energy consumption 90 F (32 C) air, 70 F (21 C) water	air-cooled models – 5.2 kWh, water-cooled models – 3.9 kWh per 100 lb (45.4 kg) ice
Heat rejection - HCC & HCD models	air-cooled models – 8,850 BTU/hr, water-cooled models – 10,150 BTU/ hr to water
Heat rejection - HCE models	air-cooled models – 6,200 BTU/hr, water-cooled models – 7,110 BTU/ hr to water
Water consumption	12 gal (45.4 L) of potable water per 100 lb (45.4 kg) of ice (per AHRI test standards) 12.5 gal (47.3 L) including periodic flushing
Water flow requirement for water-cooled models	140 gallons/100 lb of ice (530 L/45.4 kg), 0.5 gallons per minute
Approximate ship weight	190 lb (86.2 kg)
NOTE: For indoor use only	

## Dimensional drawing



# 1 – Locating the ice machine

Horizon self-contained Chewblet ice machines allow top-mounting or mounting in a base cabinet, on a wall or on a floor stand up to 75' (22.9 m) from the dispenser or ice bin with RIDE technology (10' (3.0 m) for Micro Chewblet ice). In-cabinet mounting (RIDE applications) require special attention to service access, unit ventilation and ice tube runs (see pages 4-7).

<p><b>Top mounting – ice &amp; beverage dispensers (by others)</b></p>	<p><b>RIDE model – Follett low-profile Vision™ ice &amp; beverage dispensers</b></p>	<p><b>Top mount on Follett ice storage bins</b></p>
		
<p><b>Important specifier notes:</b></p> <ol style="list-style-type: none"> <li>1. Dispenser must be compatible with nugget ice. See page 4 for compatible ice and beverage dispenser models and top kit numbers.</li> <li>2. Verify ceiling or soffit height to ensure sufficient top clearance.</li> </ol>	<p><b>Important specifier notes:</b></p> <ol style="list-style-type: none"> <li>1. See pages 4-6 for critical clearance and venting requirements.</li> <li>2. Ice transport tube shipped with Vision ice and beverage dispenser (Vision applications only).</li> </ol>	<p><b>Important specifier notes:</b></p> <ol style="list-style-type: none"> <li>1. See form# B300 for bin sizing.</li> <li>2. Verify ceiling or soffit height to ensure top clearance.</li> <li>3. Locate floor sink or grate and drains in front of storage bin.</li> <li>4. Do not position bin drain lines to block Ice•Device™ bin cart.</li> </ol>
<p><b>RIDE model – ice &amp; beverage dispensers (by others)</b></p>	<p><b>RIDE model – drop-in beverage dispensers (by others)</b></p>	<p><b>RIDE model – Follett ice storage bins</b></p>
		
<p><b>Important specifier notes:</b></p> <ol style="list-style-type: none"> <li>1. Dispenser must be compatible with nugget ice. Compatible dispensers include those on page 4 as well as Servend MD150/175/200/250, SV175/200/250, MDH-402 and Coca-Cola Freestyle.</li> </ol>	<p><b>Important specifier notes:</b></p> <ol style="list-style-type: none"> <li>1. Compatible with the following dispensers: Cornelius 1522, 1722, 2323 and Lancer 2200, 2300, 23300.</li> <li>2. Requires 12.00" (30.5 cm) of access space for installation on transport tube side.</li> </ol>	<p><b>Important specifier notes:</b></p> <ol style="list-style-type: none"> <li>1. See form# B300 for bin sizing.</li> <li>2. Locate floor sink or grate and drains in front of storage bin.</li> <li>3. Do not position bin drain lines to block Ice•Device bin cart.</li> </ol>

## 1 – Locating the ice machine (continued)

Top mounting – compatible ice & beverage dispensers*					
Manufacturer	Model Number	Width in (cm)	Depth† in (cm)	Height** in (cm)	Harmony top kit – specify "F" for front facing, or "B" for backward facing units
Lancer dispensers	4500-22N	22.00 (55.9)	30.50 (77.5)	36.66 (93.1)	HTL22SC-7F
	4500-30N / Chewable ice dispenser	30.00 (76.2)	30.50 (77.5)	36.66 (93.1)	HTL30SC-7F
	FS-22N	22.00 (55.9)	30.50 (77.5)	41.28 (104.8)	HTL22SC-7F
	FS-30N	30.00 (76.2)	30.50 (77.5)	41.28 (104.8)	HTL30SC-7F
	FS-44N#	44.75 (114)	30.38 (77.2)	42.72 (108.5)	HTL22SC-7F#
Cornelius dispensers	DB/ED/DF 150 series	22.00 (55.9)	30.75 (78.1)	35.63 (90.5)	HTC22SC-7F
	DB/ED/DF 175 series	24.50 (62.2)	30.00 (76.2)	35.63 (90.5)	HTC24SC-7F
	DB/ED/DF 200 series	30.00 (76.2)	30.95 (78.6)	35.63 (90.5)	HTC30SC-7F
	DB/ED/DF 250 series	30.00 (76.2)	30.95 (78.6)	39.63 (100.7)	HTC30SC-7F
	DB/ED/DF 300 series	44.38 (112.7)	30.00 (76.2)	39.63 (100.7)	HTC44SC-7 (F or B)
	FlavorFusion / Overload	30.00 (76.2)	33.00 (83.8)	41.00 (104.1)	HTC30SC-7F-FF
	IDC215	30.00 (76.2)	29.88 (75.9)	36.69 (93.2)	HTC30SC-7F-IDC
	IDC255	30.00 (76.2)	33.13 (84.2)	39.75 (101.0)	HTC30SC-7F-IDC
Servend dispensers	MDH-302	42.75 (108.6)	30.50 (77.5)	35.16 (89.3)	HTS44SC-7 (F or B)

\*All approved dispensers can be filled with a RIDE model Horizon ice machine without a top kit.

† Requires minimum 1.00" (2.54 cm) clearance between back of dispenser and wall.

\*\* Net height after installation of top kit (excluding height of ice machine).

# FS-44N consists of 2 separate 22.00" (55.9 cm) dispensers. A top kit is needed for each Horizon ice machine ordered.

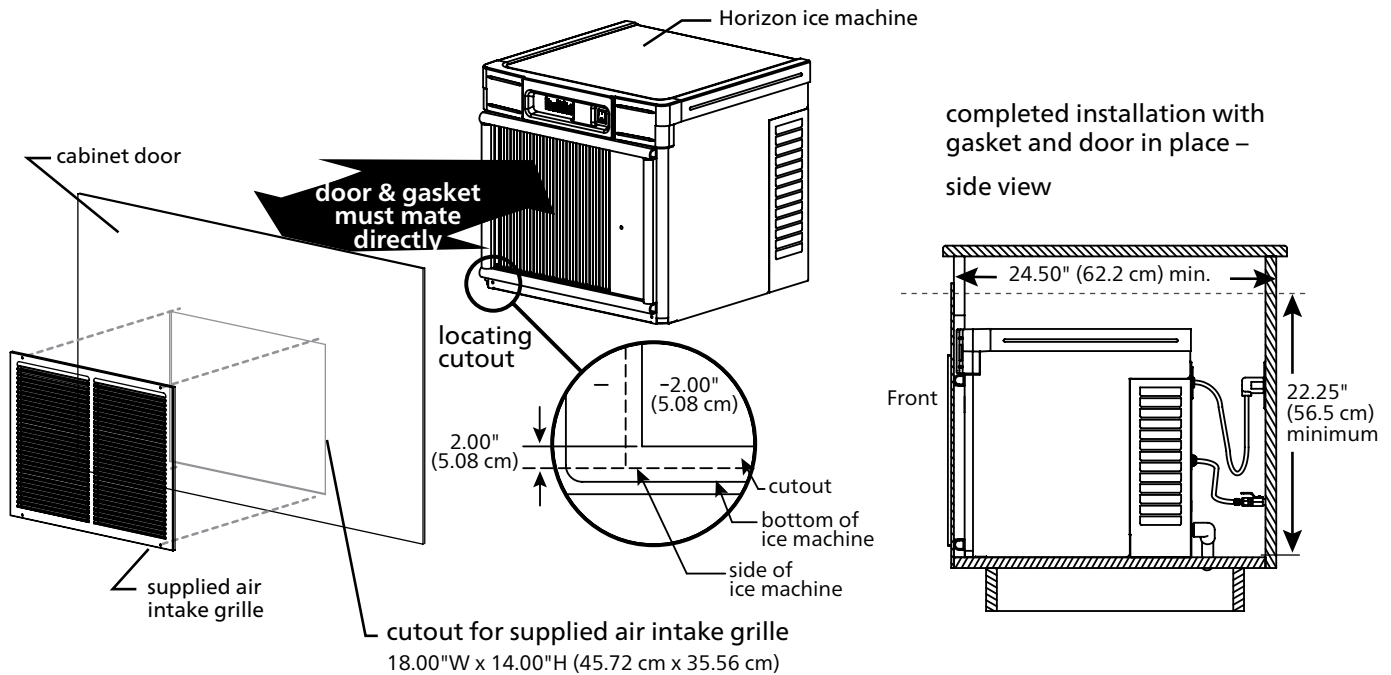
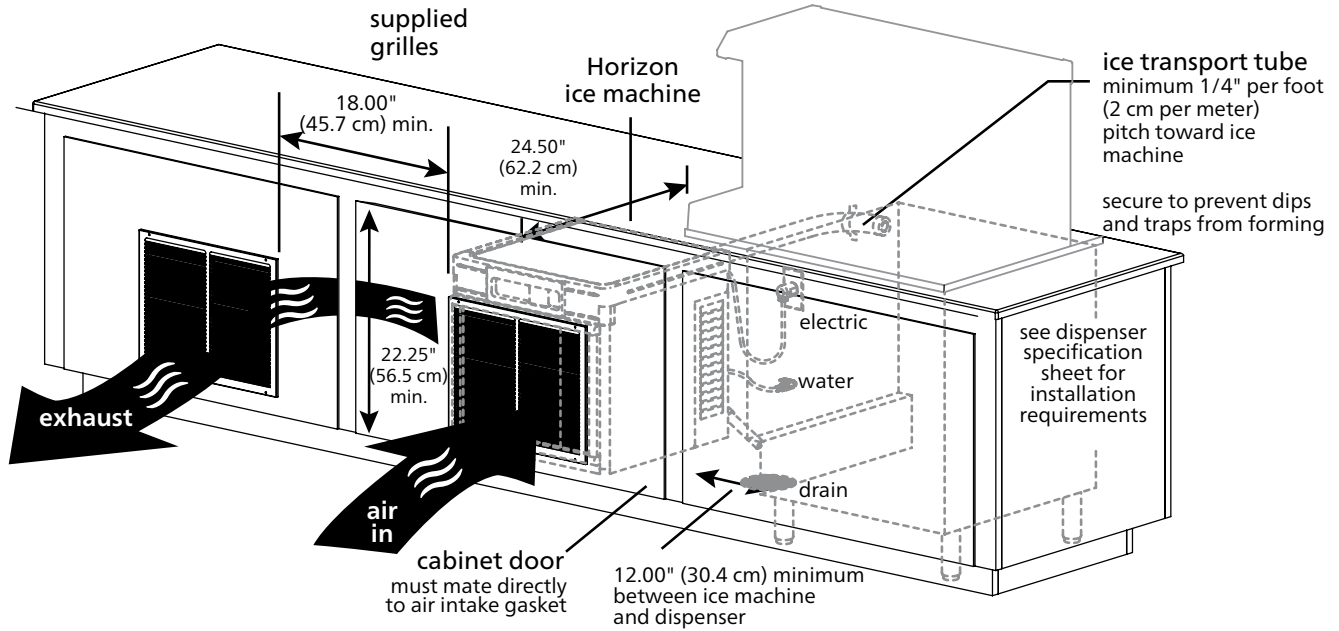
## 2 – Undercounter/in-cabinet mounting

Cabinet details	
<p><b>Important specifier notes</b></p> <ol style="list-style-type: none"> <li>1. Cabinet door opening must meet minimum size requirements shown and be free of obstructions to allow ice machine to slide out (no lip or utilities to block removal).</li> <li>2. Cabinet base must be capable of supporting ice machine and allow ice machine to rest flat on cabinet bottom.</li> <li>3. No counter supports, electric or plumbing can run in front of the ice machine.</li> </ol>	

### 3 – Undercounter/in-cabinet mounting and ventilation

#### Using Follett supplied grilles

Horizon ice machines can be installed undercounter/in-cabinet to fill bins or dispensers using RIDE technology. Care must be taken to ensure proper cabinet venting to avoid recirculation of hot air. Improper venting can cause ice machine outages.



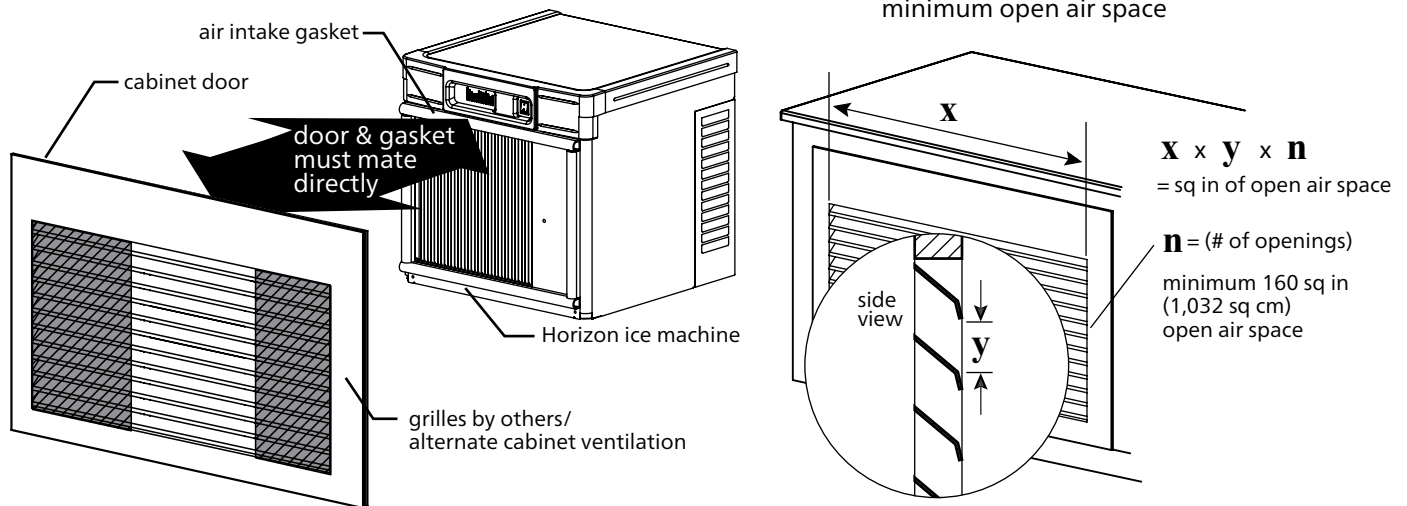
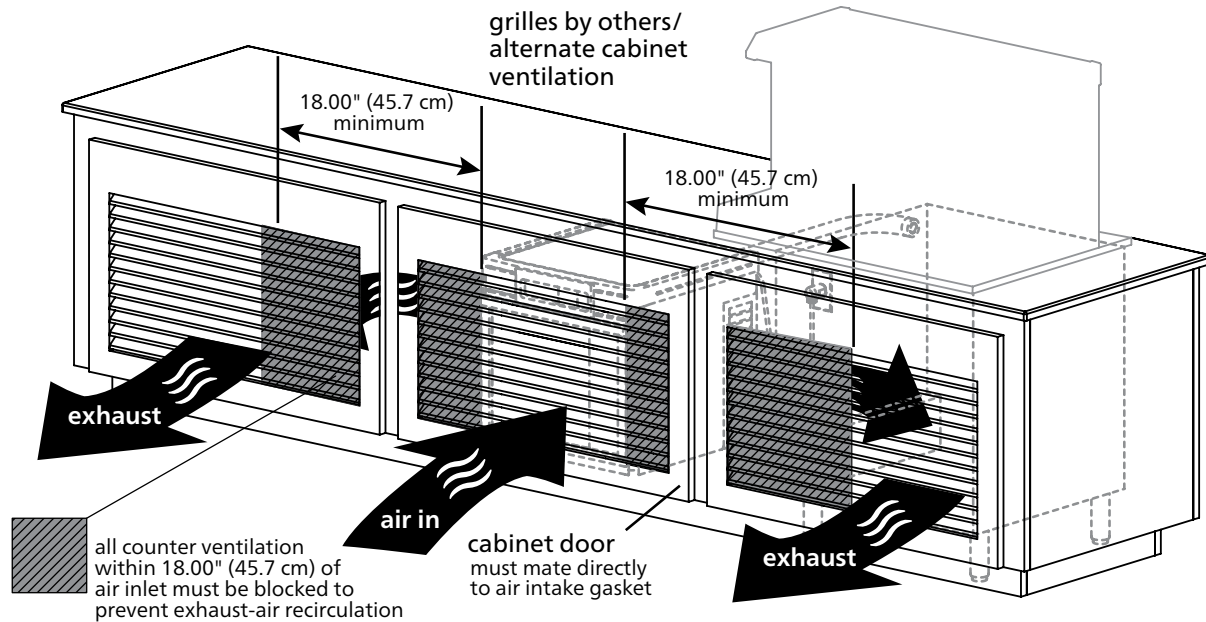
#### Important specifier notes for using Follett supplied grilles:

1. The supplied exhaust grille must be located at least 18.00" (45.7 cm) from the supplied air intake grille (exhaust air must not recirculate with intake air).
2. Cabinet interior must be open to allow for unrestricted exhaust air flow.
3. Ice transport tube needs minimum 1/4" per foot (2 cm per meter) pitch toward ice machine and should be secured to prevent dips and traps from forming.
4. Cabinet door must mate directly to air intake gasket.
5. Cabinet interior must provide a minimum clear space of 24.50" deep (62.2 cm) by 22.25" high (56.5 cm).
6. Cutout for supplied grilles must meet minimum size requirements shown above.
7. Utilities should be conveniently located as shown.

### 3 – Undercounter/in-cabinet mounting and ventilation (continued)

#### Using grilles by others/alternate cabinet ventilation

Cabinets with ventilation or louvers other than those provided require special consideration to provide proper ventilation. Recirculation of hot air will reduce ice machine performance and can cause ice machine outages.



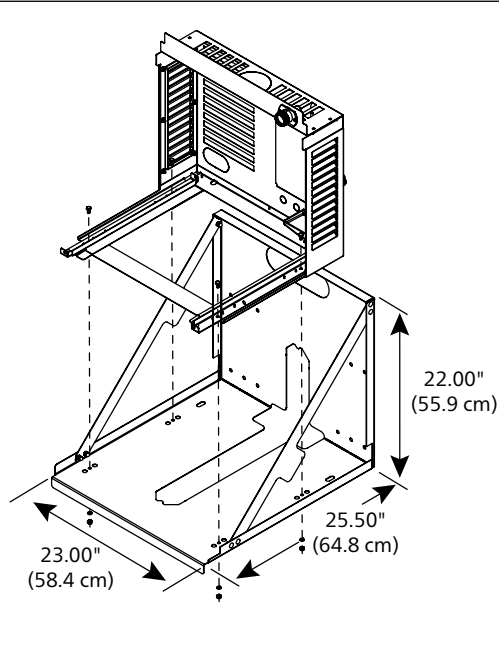
#### Important specifier notes for using grilles supplied by others/alternate cabinet ventilation:

1. Exhaust must be at least 18.00" (45.7 cm) from air intake (exhaust air must not recirculate with intake air).
2. Cabinet interior must be open to allow for unrestricted exhaust air flow.
3. Ice transport tube needs minimum 1/4" per foot (2 cm per meter) pitch toward ice machine and should be secured to prevent dips and traps from forming.
4. Ducting must be provided if cabinet door does not mate directly to air intake gasket.
5. Cabinet interior must provide a minimum clear space of 24.50" deep (62.2 cm) by 22.25" high (56.5 cm).
6. Grilles by others must meet minimum requirements for open air space shown above.
7. Utilities should be conveniently located as shown.

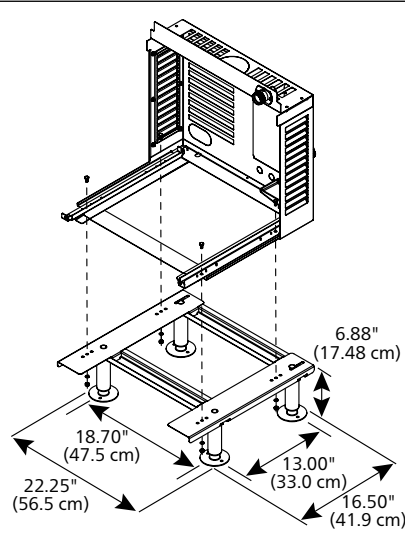


## 4 – Horizon ice machine mounting accessories

### Optional wall mount bracket



### Optional machine stand

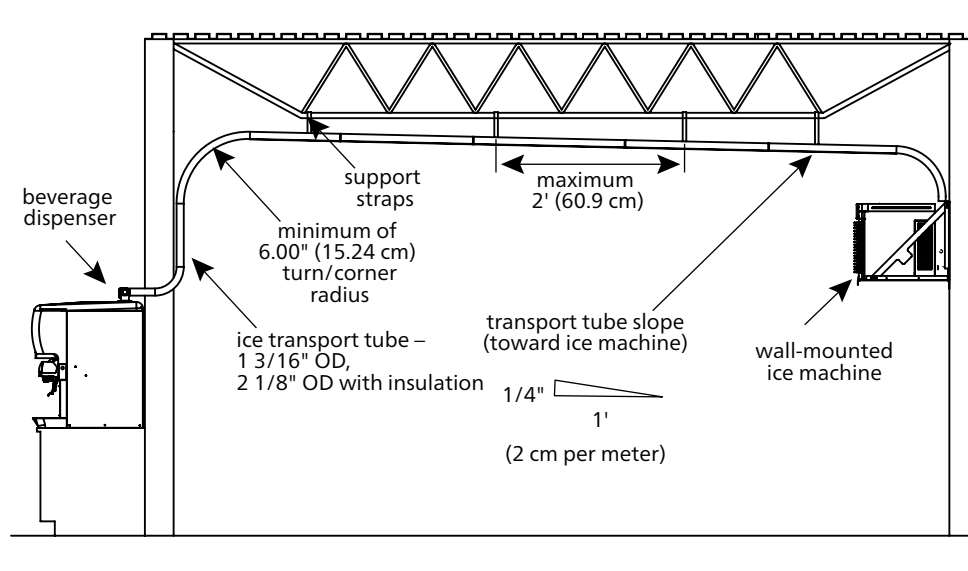


### Important specifier notes:

1. For secure wall mounting, specify optional wall mount bracket.
2. Wall and fasteners must support the weight of the ice machine, bracket, supply water and ice. Use of a backing board may be required with hollow wall construction.
3. Machine stand mounting adds 6.88" (17.48 cm) to height of ice machine.
4. No dips in tube routing allowed.
5. Ice transport tube needs minimum 1/4" per foot (2 cm per meter) pitch toward ice machine and should be secured to prevent dips and traps from forming.

## 5 – Horizon ice tube runs - specifier guidelines

### Long tube runs for RIDE remote ice delivery equipment



### Important specifier notes:

1. 75' (22.8 m) maximum ice transport tube run (10' (3.04 m) for Micro Chewblet ice).
2. Tubing routing bends must have a 6.00" (15.24 cm) radius or larger.
3. If not supported from underneath, secure insulated ice transport tube at least every 2' (60.9 cm) to prevent dips or traps.
4. Relative humidity levels above 80% in areas where the ice machine or ice transport tube are located may produce excessive condensation that will cause water damage.
5. Contact factory for recommendations on running tubing through a decorative soffit or chase.

## Ice production – Horizon 700 series, air-cooled 60 Hz

Inlet water temperature F (C)	Ambient air temperature F (C)					lb/kg production in 24 hr
	60 (16)	70 (21)	80 (27)	90 (32)	100 (38)	
50 F (10 C)	740 (336)	675 (306)	644 (292)	586 (266)	565 (256)	
60 F (16 C)	714 (324)	673 (305)	618 (280)	559 (254)	529 (240)	
70 F (21 C)	651 (295)	643 (292)	589 (267)	525 (238)	512 (232)	
80 F (27 C)	649 (294)	609 (276)	561 (254)	506 (230)	478 (217)	
90 F (32 C)	600 (272)	583 (264)	519 (235)	499 (226)	441 (200)	

## Ice production – Horizon 700 series, water-cooled 60 Hz

Inlet water temperature F (C)	Condenser water temperature F (C)				lb/kg production in 24 hr
	60 (16)	70 (21)	80 (27)	90 (32)	
50 F (10 C)	672 (305)	665 (302)	660 (299)	656 (298)	
60 F (16 C)	600 (272)	597 (271)	584 (265)	582 (264)	
70 F (21 C)	544 (247)	541 (245)	539 (244)	535 (243)	
80 F (27 C)	521 (236)	515 (234)	506 (230)	504 (229)	
90 F (32 C)	506 (230)	504 (229)	501 (227)	500 (227)	

## Ice production – Horizon 700 series, air-cooled 50 Hz

Inlet water temperature F (C)	Ambient air temperature F (C)					lb/kg production in 24 hr
	60 (16)	70 (21)	80 (27)	90 (32)	100 (38)	
50 F (10 C)	651 (295)	600 (272)	571 (259)	518 (235)	460 (209)	
60 F (16 C)	620 (281)	574 (260)	531 (241)	492 (223)	443 (201)	
70 F (21 C)	572 (260)	538 (244)	506 (229)	479 (217)	416 (189)	
80 F (27 C)	569 (258)	519 (235)	493 (224)	452 (205)	415 (188)	
90 F (32 C)	537 (244)	504 (229)	471 (214)	430 (195)	389 (177)	

## Ice production – Horizon 700 series, water-cooled 50 Hz

Inlet water temperature F (C)	Condenser water air temperature F (C)				lb/kg production in 24 hr
	60 (16)	70 (21)	80 (27)	90 (32)	
50 F (10 C)	608 (276)	600 (272)	592 (269)	583 (265)	
60 F (16 C)	578 (262)	571 (259)	567 (257)	548 (249)	
70 F (21 C)	556 (251)	540 (245)	537 (244)	528 (239)	
80 F (27 C)	530 (241)	521 (236)	514 (233)	489 (222)	
90 F (32 C)	515 (233)	512 (232)	508 (230)	484 (219)	



ENERGY STAR and the ENERGY STAR mark are registered US marks.

Agion is a registered trademark of Sciessent LLC.

1 Independent third party studies. Contact Follett for details.

2 Disclaimer: Antimicrobial protection is limited to the treated components and does not treat water or ice.

Horizon, Vision, Ice•Device and Harmony are trademarks of Follett Corporation.

Chevrolet, Follett and RIDE are registered trademarks of Follett Corporation, registered in the US.

Follett reserves the right to change specifications at any time without obligation. Certifications may vary depending on country of origin.

## Self-contained 700 series ice machine