

Horizon™ Chewblet® ice machine

1000 series or 1400 series
 air-cooled or water-cooled
(See model number guide)



U.S. Patents
7,263,844, 7,469,548
and 7,469,552

HCC1400WBS shown

Short form specification

Ice machine to be a Follett® Horizon Chewblet ice machine model _____ [Insert size/series, condenser type & installation/mounting, from model number guide] capable of producing compressed nugget ice using an efficient, sanitary horizontal evaporator/auger system and delivering ice by a flexible wire reinforced, transport tube to ice storage bin, ice and water dispenser, ice and beverage dispenser, drop-in dispenser or Ice Manager™ diverter valve system and provided with a stainless steel frame and exterior, slide-out compressor/condenser with utility docking station, front-mounted unit status display, automatic self-flush, and semi-automatic cleaning & sanitizing system, plus all the features listed below and mounting/performance-enhancing accessories checked:

Horizon performance features

- Produces popular Chewblet nugget ice and 3/8" (9.5 mm) length Micro Chewblet ice (see Ice production tables on page 8):
- 1000 series - up to 1100 pounds (499 kg) in 24 hours or
- 1400 series - up to 1476 pounds (669 kg) in 24 hours
- Optional RIDE™ remote ice delivery equipment transports ice through a flexible tube up to 75 ft (22.9 m) from bin/dispenser (10' (3 m) for Micro Chewblet ice)
- Horizontal evaporator maximizes heat transfer & ice production
- Uses less water than cube ice machines
- Rejects less heat than a typical cube ice machine
- Quiet operation without noisy batch harvest cycles

Unique Chewblet ice advantages

- Consumer-preferred chewable ice for beverages
- More reliable dispensing compared to nugget or pellet ice
- Higher liquid displacement than cube ice
- Standard Chewblet ice – approximately 1" (25.4 mm) length, Micro Chewblet ice approximately 3/8" (9.5 mm) length

Key Horizon design features

- Compact design offers in-cabinet/undercounter, floor stand, wall bracket, on-fountain dispenser, or on-bin mounting
- Standard slide-out docking-station design allows removal of compressor/condenser without disconnecting utilities
- Unique auger design reduces loads on gearmotor & bearings
- Easy-to-read LED operating status & diagnostic display
- 10 ft (3 m) flexible ice transport tube and insulation standard with RIDE models

Sanitation & safety features

- Aluminum-bronze evaporator has antimicrobial properties
- Automatic self-flushing reduces water scale buildup
- Floatless, sealed design inhibits formation of biofilms
- Semi-automatic cleaning & sanitizing system

Agency approvals   

Product warranty

- 3 years, parts & labor
- 5 years parts on compressor

Available accessories

- Harmony™ conversion top kit for ice and beverage dispensers (listed on page 3)
- Water filter kit (Item# 00130286 - see form# 9905 for dimensions)
 - ___ ea. extra primary water filter cartridge
 - ___ ea. extra pre-filter cartridge
- Wall mount bracket (see accessory form# 3311)
- Ice machine stand, height-adjustable (see accessory form# 3311)
- Timer to control one or two Horizon ice machines (see accessory form# 3311)
- Longer ice transport tube, specify length: ___ ft/m in 5 ft/1.5 m increments (10 ft/3 m is standard)

Model number guide

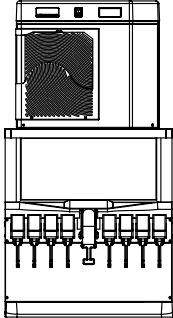
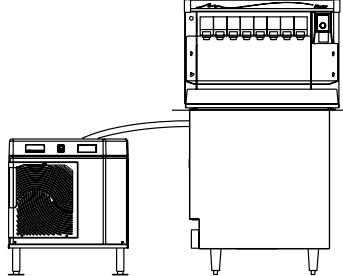
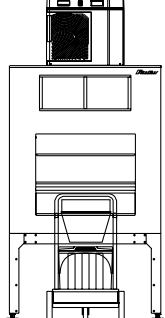
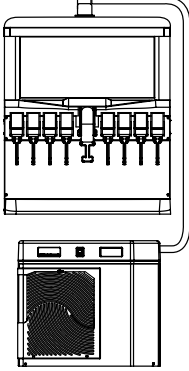
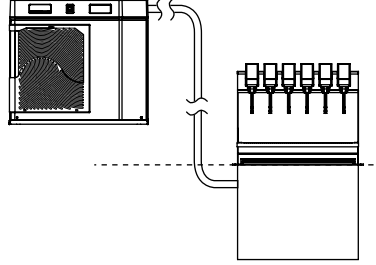
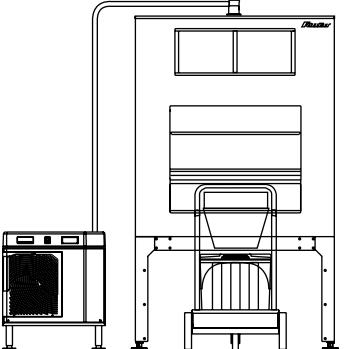
Use/ application	Condenser type	Installation/mounting	
		top mounted	RIDE
with ice storage bins	air-cooled	HCC1000ABT HCC1400ABT	HCC1000ABS HCC1400ABS
	water-cooled	HCC1000WBT HCC1400WBT	HCC1000WBS HCC1400WBS
with Follett Vision™ line dispensers	air-cooled		HCC1000AVS HCC1400AVS
	water-cooled		HCC1000WVS HCC1400WVS
with ice/ beverage dispensers (by others)	air-cooled	HCC1000AHT* HCC1400AHT*	HCC1000AHS HCC1400AHS
	water-cooled	HCC1000WHT* HCC1400WHT*	HCC1000WHS HCC1400WHS
for drop-in dispensers	air-cooled		HCC1000AJS HCC1400AJS
	water-cooled		HCC1000WJS HCC1400WJS
with Ice Manager diverter valve system	air-cooled		HCC1000AMS HCC1400AMS
	water-cooled		HCC1000WMS HCC1400WMS

* Requires Harmony top kit (see page 3 for part number)

Note: For Micro Chewblet ice, replace second character (C) with an M
e.g. HMC1000ABT

1 Locating the ice machine

Horizon self-contained Chewblet ice machines allow top-mounting or mounting in a base cabinet, on a wall or on a floor stand up to 75 ft (22.9 m) from the dispenser or ice bin with RIDE technology (10' (3 m) for Micro Chewblet ice). In-cabinet mounting (RIDE applications) require special attention to service access, unit ventilation and **ice tube runs** (see page 3-5).

Top mounting – ice & beverage dispensers (by others)	RIDE model – Follett low-profile Vision ice & beverage dispensers	Top mount on Follett ice storage bins
		
<p>Important specifier notes:</p> <ol style="list-style-type: none"> 1. Dispenser must be compatible with nugget ice. See page 3 for compatible ice & beverage dispenser models and top kit numbers. 2. Verify ceiling or soffit height to ensure sufficient top clearance. 	<p>Important specifier notes:</p> <ol style="list-style-type: none"> 1. See page 3-5 for critical clearance & venting requirements. 	<p>Important specifier notes:</p> <ol style="list-style-type: none"> 1. See form# B300 for bin sizing. 2. Verify ceiling or soffit height to ensure top clearance. 3. Locate floor sink or grate & drains in front of storage bin. 4. Do not position bin drain lines to block Ice•Devlce™ bin cart.
RIDE model – ice & beverage dispensers (by others)	RIDE model – drop-in beverage dispensers (by others)	RIDE model – Follett ice storage bins
		
<p>Important specifier notes:</p> <ol style="list-style-type: none"> 1. Dispenser must be compatible with nugget ice. Compatible dispensers include Cornelius DB/ID/DF150/175, Lancer 4500-22N, FS-16N, FS-22N & FS-44N, Servend MD150/175/200/250, SV175/200/250, MDH-402 and Coca-Cola Freestyle as well as dispensers listed on page 3. 	<p>Important specifier notes:</p> <ol style="list-style-type: none"> 1. See form# 3425 for qualified applications. 	<p>Important specifier notes:</p> <ol style="list-style-type: none"> 1. See form# B300 for bin sizing. 2. Locate floor sink or grate & drains in front of storage bin. 3. Do not position bin drain lines to block Ice•Devlce bin cart.

1 Locating the ice machine (continued)

Top mounting – compatible ice & beverage dispensers*

Manufacturer	Model Number	Width in (cm)	Depth in (cm)	Height** in (cm)	Harmony top kit – specify “F” for front facing, or “B” for backward facing units	
					1000 series	1400 series
Lancer dispensers	4500-30N / Chewable ice dispenser	30.0 (76)	30.5 (78)	36.50 (93)	HTL30SC-10F	HTL30SC-14F
	FS-30N	30.0 (76)	30.5 (78)	42.13 (107)	HTL30SC-10F	HTL30SC-14F
Cornelius dispensers	DB/ED/DF 200 series	30.0 (76)	30.0 (76)	34.38 (87)	HTC30SC-10F	HTC30SC-14F
	DB/ED/DF 250 series	30.0 (76)	30.0 (76)	38.38 (98)	HTC30SC-10F	HTC30SC-14F
	DB/ED/DF 300 series	44.0 (119)	30.0 (76)	34.00 (86)	HTC44SC-10 (F or B)	HTC44SC-14 (F or B)
	FlavorFusion / Overload	30.0 (76)	30.7 (78)	39.38 (100)	HTC30SC-10F-FF	HTC30SC-14F-FF
	IDC215	30.0 (76)	30.7 (78)	39.38 (100)	HTC30SC-10F-IDC	HTC30SC-14F-IDC
	IDC255	30.0 (76)	30.7 (78)	36.38 (92)	HTC30SC-10F-IDC	HTC30SC-14F-IDC
Servend dispensers	MDH-302	42.8 (109)	31.0 (79)	32.38 (82)	HTS44SC-10 (F or B)†	HTS44SC-14 (F or B)†

*All approved dispensers can be filled with a RIDE model Horizon ice machine without a top kit.

† Requires minimum 0.5" (12.7 mm) clearance between back of dispenser and wall.

** Net height after installation of top kit (excluding height of ice machine).

F-44N consists of 2 separate 22" (55.9 cm) dispensers. A top kit is needed for each Horizon ice machine ordered.

2 Undercounter/in-cabinet mounting

Cabinet details

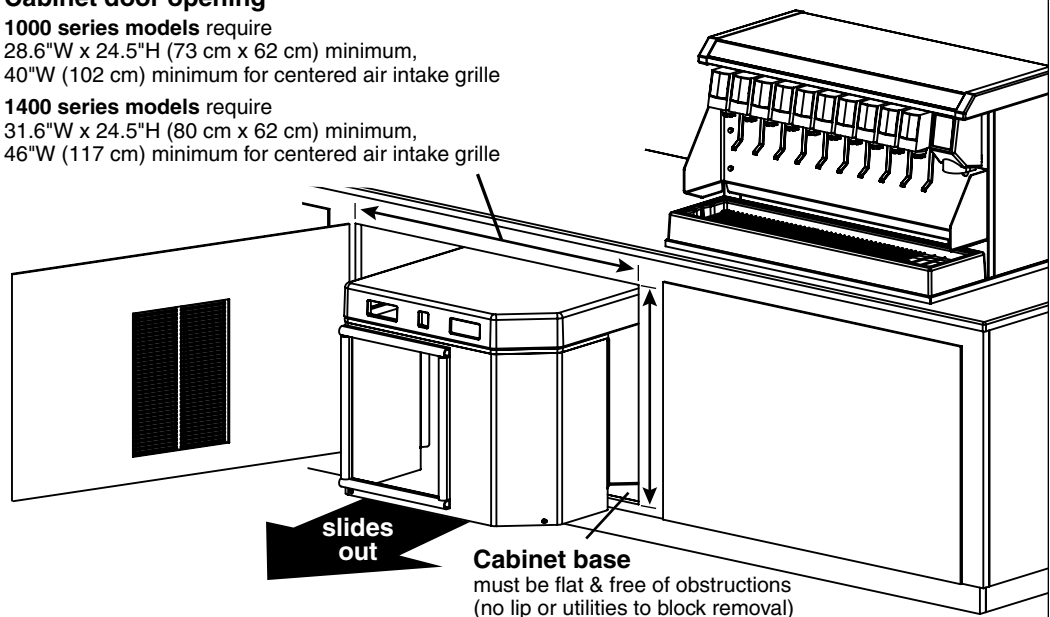
Important specifier notes

1. Cabinet door opening must meet minimum size requirements shown and be free of obstructions to allow ice machine to slide out (no lip or utilities to block removal).
2. Cabinet base must be capable of supporting ice machine and allow ice machine to rest flat on cabinet bottom.
3. No counter supports, electric or plumbing can run in front of the ice machine.

Cabinet door opening

1000 series models require
28.6"W x 24.5"H (73 cm x 62 cm) minimum,
40"W (102 cm) minimum for centered air intake grille

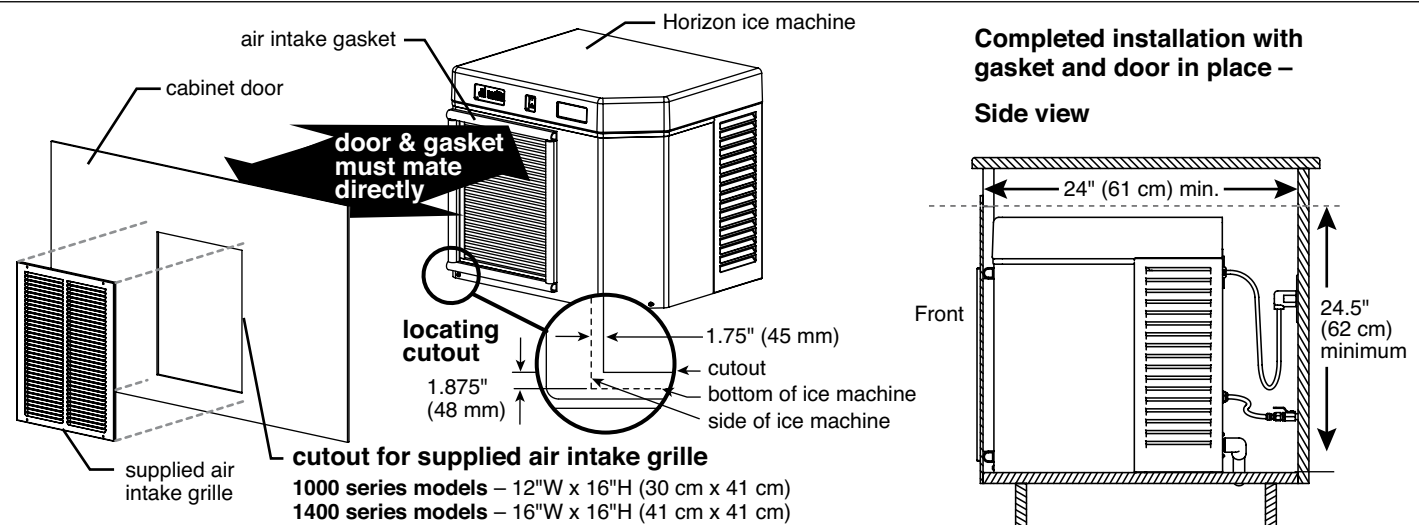
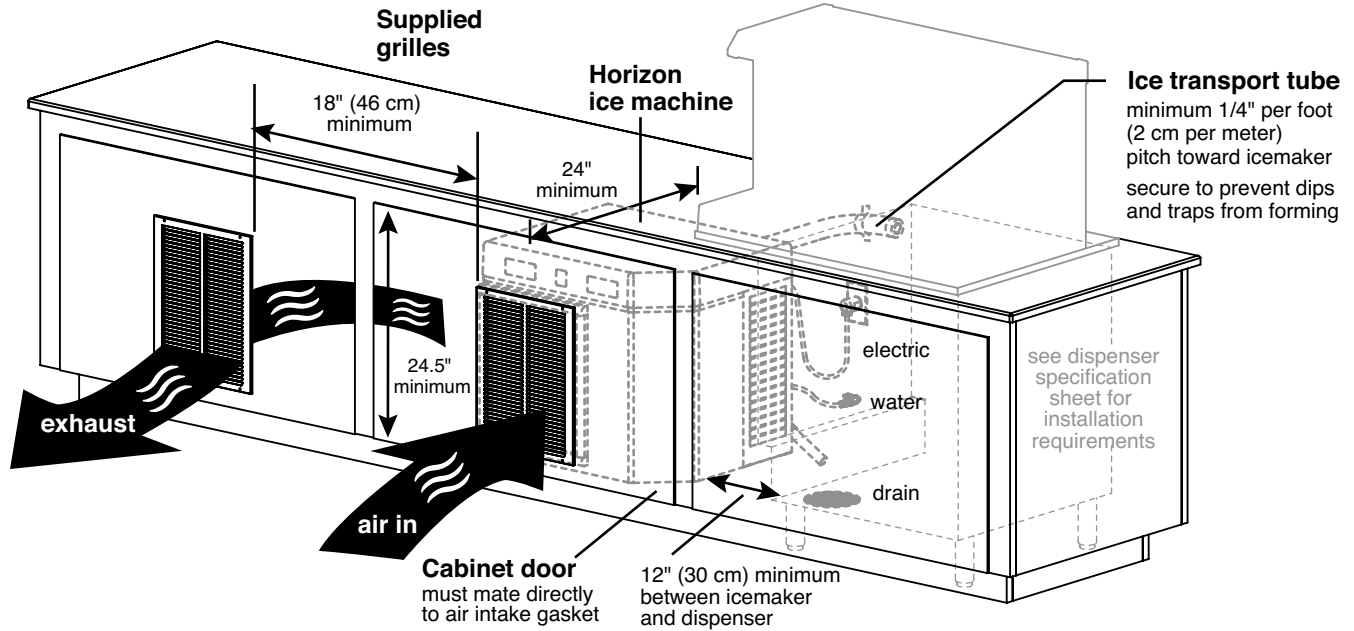
1400 series models require
31.6"W x 24.5"H (80 cm x 62 cm) minimum,
46"W (117 cm) minimum for centered air intake grille



3 Undercounter/in-cabinet mounting & ventilation

Using Follett supplied grilles

Horizon ice machines can be installed undercounter/in-cabinet to fill bins or dispensers using RIDE technology. **Care must be taken to ensure proper cabinet venting** to avoid recirculation of hot air. Improper venting can cause ice machine outages.



Important specifier notes:

1. The supplied exhaust grille must be located at least 18" (46 cm) from the supplied air intake grille (exhaust air must not recirculate with intake air).
2. Cabinet interior must be open to allow for unrestricted exhaust air flow.
3. Ice transport tube needs minimum 1/4" per foot (2 cm per meter) pitch toward ice machine and should be secured to prevent dips and traps from forming.

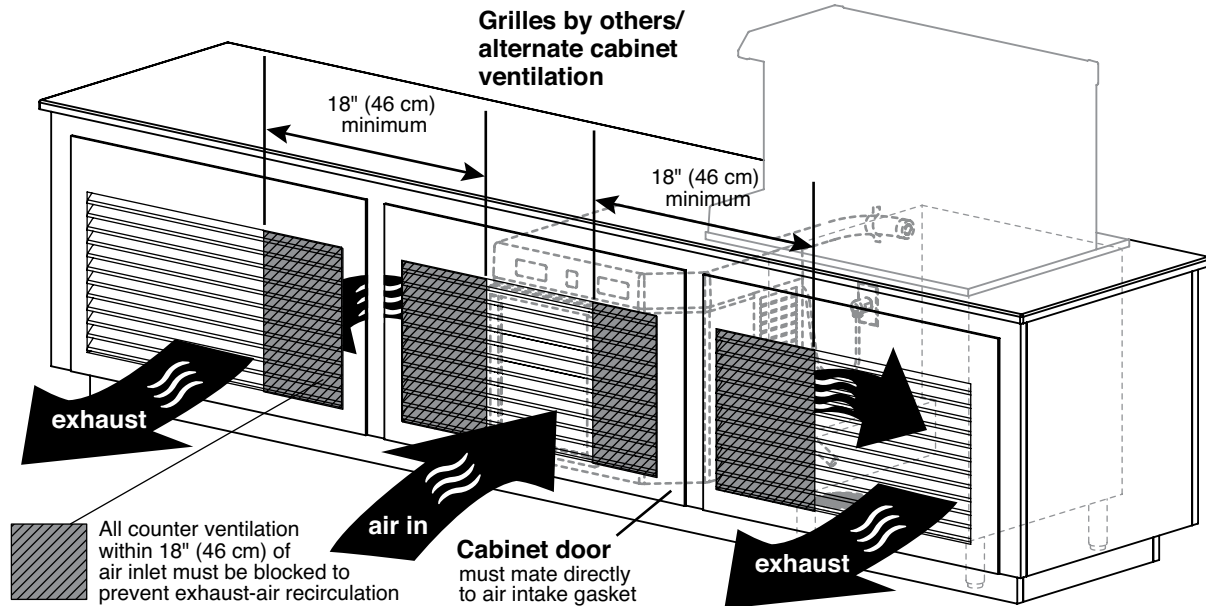
Important specifier notes (continued):

4. Cabinet door must mate directly to air intake gasket.
5. Cabinet interior must provide a minimum clear space of 24" deep (61 cm) by 24.5" high (62 cm).
6. Cutout for supplied grilles must meet minimum size requirements shown above.
7. Utilities should be conveniently located as shown.

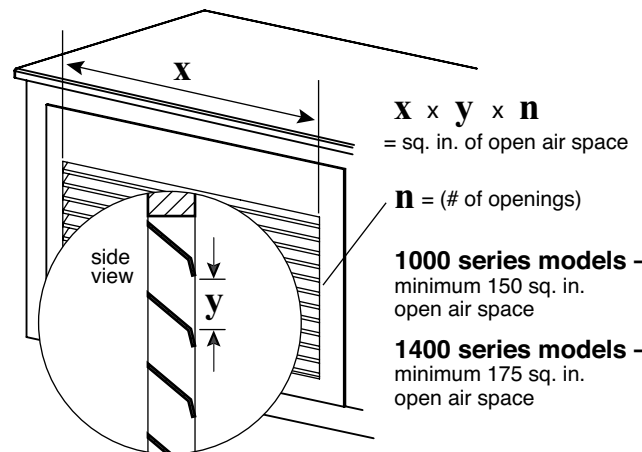
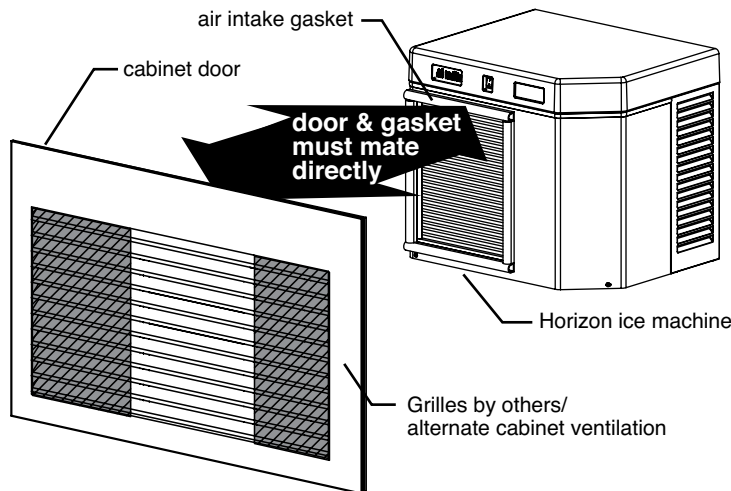
3 Undercounter/in-cabinet mounting & ventilation (continued)

Using grilles by others/alternate cabinet ventilation

Cabinets with ventilation or louvers other than those provided **require special consideration to provide proper ventilation.** Recirculation of hot air will reduce ice machine performance and can cause ice machine outages.



Minimum open air space



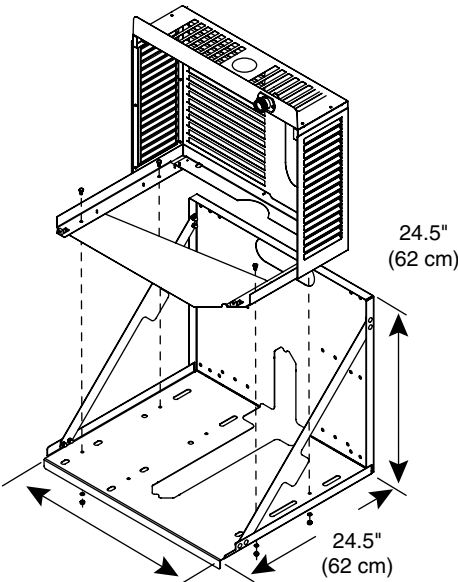
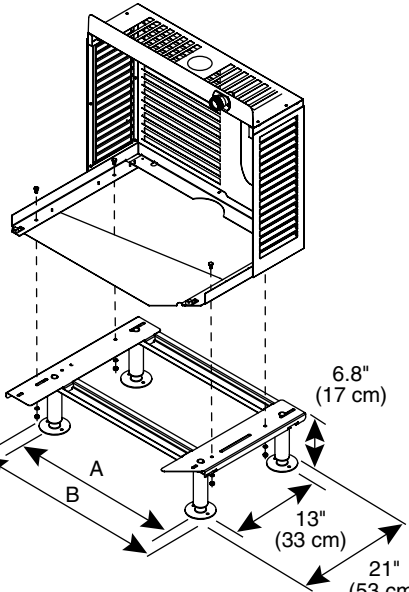
Important specifier notes:

1. Exhaust must be at least 18" (46 cm) from air intake (exhaust air must not recirculate with intake air).
2. Cabinet interior must be open to allow for unrestricted exhaust air flow.
3. Ice transport tube needs minimum 1/4" per foot (2 cm per meter) pitch toward ice machine and should be secured to prevent dips and traps from forming.

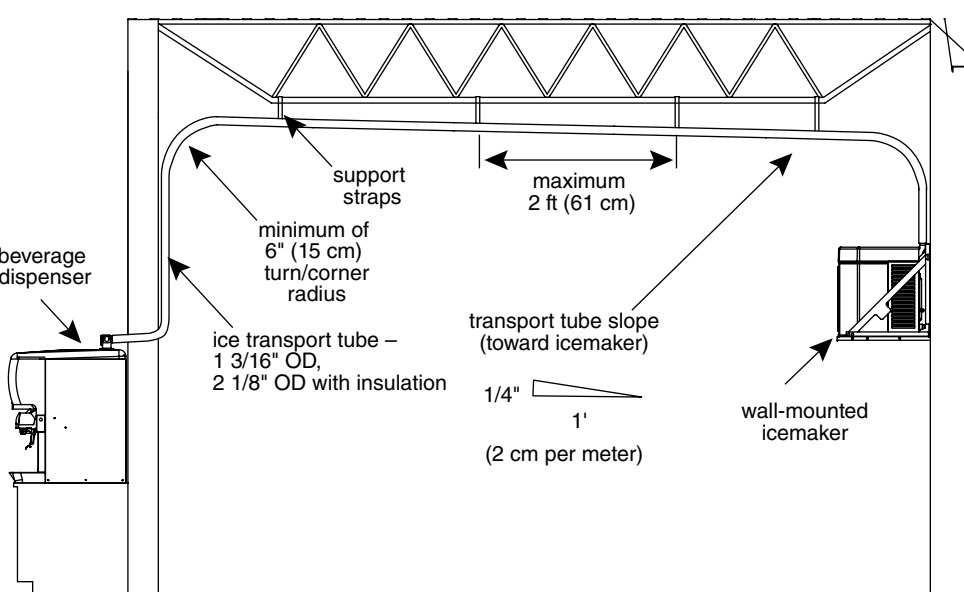
Important specifier notes (continued):

4. Ducting must be provided if cabinet door does not mate directly to air intake gasket.
5. Cabinet interior must provide a minimum clear space of 24" deep (61 cm) by 24.5" high (62 cm).
6. Grilles by others must meet minimum requirements for open air space shown above.
7. Utilities should be conveniently located as shown.

4 Horizon ice machine mounting accessories

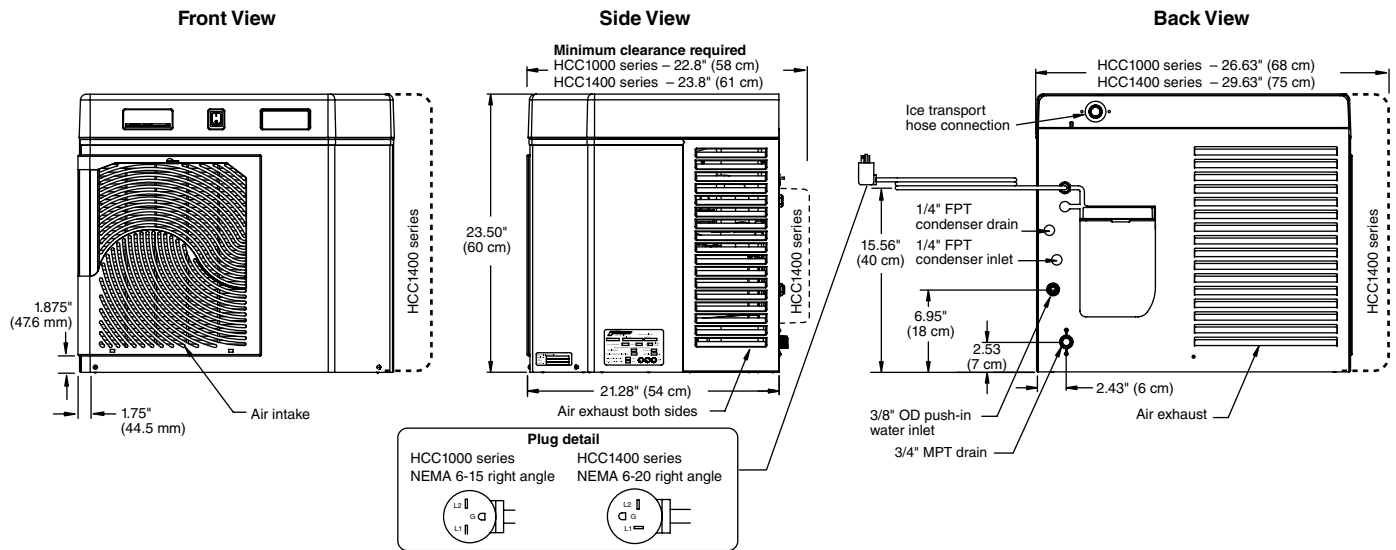
Optional wall mount bracket	Optional machine stand	Important specifier notes:
 <p>24.5" (62 cm)</p> <p>24.5" (62 cm)</p> <p>1000 models – 28.4" (72 cm) 1400 models – 31.4" (80 cm)</p>	 <p>6.8" (17 cm)</p> <p>13" (33 cm)</p> <p>21" (53 cm)</p> <p>1000 models – A - 23.25" (59 cm), B - 26.8" (68 cm) 1400 models – A - 26.25" (67 cm), B - 29.75" (76 cm)</p>	<p>Important specifier notes:</p> <ol style="list-style-type: none"> 1. For secure wall mounting, specify optional wall mount bracket. 2. Wall and fasteners must support the weight of the ice machine, bracket, supply water and ice. Use of a backing board may be required with hollow wall construction. 3. Machine stand mounting adds 6.8" (17 cm) to height of ice machine. 4. No dips in tube routing allowed. 5. Ice transport tube needs minimum 1/4" per foot (2 cm per meter) pitch toward ice machine and should be secured to prevent dips and traps from forming.

5 Horizon ice tube runs - specifier guidelines

Long tube runs for RIDE remote ice delivery equipment		Important specifier notes:
 <p>beverage dispenser</p> <p>support straps</p> <p>minimum of 6" (15 cm) turn/corner radius</p> <p>ice transport tube – 1 3/16" OD, 2 1/8" OD with insulation</p> <p>transport tube slope (toward icemaker) 1/4" 1' (2 cm per meter)</p> <p>maximum 2 ft (61 cm)</p> <p>wall-mounted icemaker</p>	<p>Important specifier notes:</p> <ol style="list-style-type: none"> 1. 75 ft (23 m) maximum ice transport tube run (10' (3 m) for Micro Chewblet ice). 2. Tubing routing bends must have a 6" (15 cm) radius or larger. 3. If not supported from underneath, secure insulated ice transport tube at least every 2 ft (61 cm) to prevent dips or traps. 4. Relative humidity levels above 80% in areas where the ice machine or ice transport tube are located may produce excessive condensation that will cause water damage. 5. Contact factory for recommendations on running tubing through a decorative soffit or chase. 	

Horizon Chewblet ice machine

□ 1000 series or □ 1400 series
□ air-cooled or □ water-cooled
Utility requirements/unit specifications



Utility requirements/unit specifications

Models	HCC1000 series	HCC1400 series
Shipping weight	260 lbs (118 kg)	290 lbs (132 kg)
Standard electrical		
Voltage	208-230	208-230
Phase	1-phase	1-phase
Hertz	60 cycles	60 cycles
Amps	11 (max.)	12 (max.)
Circuit	15 Amps	20 Amps
Cord	7 ft (2 m)	7 ft (2 m)
Plug	NEMA 6-15	NEMA 6-20
Water flow for water-cooled units		
Incoming water F (C)	Water flow: gallons (Liters) per 100 lbs (46 kg) of ice	
50 (10)	65 (246)	72 (273)
60 (16)	87 (329)	98 (371)
70 (21)	108 (409)	129 (489)
	Water flow: gpm (lpm)	
50 (10)	0.50 (1.89)	0.79 (2.99)
60 (16)	0.62 (2.36)	1.01 (3.82)
70 (21)	0.70 (2.66)	1.25 (4.74)

Energy & water consumption

Models	HCC1000 series	HCC1400 series
Electricity per 100 lbs (46 kg) of ice*		
Air-cooled	5.1 kWh	5.1 kWh
Water-cooled	4.2 kWh	3.8 kWh
Water per 100 lbs (46 kg) of ice		
Gallons/liters	13.6 (52)	13.2 (50)

* 90 F (32 C) air temp & 70 F (21 C) water temp

Heat rejection

Models	HCC1000 series	HCC1400 series
Air-cooled models BTU/hr (Kcal/hr)	11,300 (2,848)	16,000 (3,226)
Water-cooled models BTU/hr (Kcal/hr)	12,800 (4,032)	16,400 (4,133)

Unit operating limits

All models	Minimum	Maximum
Air temperature	50 F (10 C)	100 F (38 C)
Water temperature	45 F (7 C)	90 F (32 C)
Potable water	10 psi (69 kpa)	70 psi (483 kpa)
Condenser water pressure		150 psi (1035 kpa)

Important specification/installation notes:

- 10 ft (3 m) of ice transport tube and insulation are provided with RIDE models only. Longer tubes available as an accessory, at extra cost.
- In RIDE applications, ice enters through top of ice storage bin or countertop ice and beverage dispenser. For side entry, contact factory.
- Separate ice machine and condenser drain lines required for water-cooled models.
- Drains should be hard piped and insulated. Maintain at least a 1/4" per foot (2 cm per meter) slope away from ice machine.
- Follett recommends installation of an in-line water filtration system. See available accessories on page 1.

Ice production – 1000 series, air-cooled

Inlet water temperature	Ambient air temperature F (C)					24 hour ice production lbs/kg
	60 (16)	70 (21)	80 (27)	90 (32)	100 (38)	
50 F (10 C)	1135 (515)	1100 (499)	962 (437)	828 (376)	786 (357)	
60 F (16 C)	1070 (486)	1000 (454)	916 (416)	816 (371)	728 (331)	
70 F (21 C)	1015 (461)	938 (426)	871 (395)	794 (361)	686 (312)	
80 F (27 C)	967 (439)	902 (410)	826 (375)	755 (343)	654 (297)	
90 F (32 C)	924 (420)	859 (390)	782 (355)	698 (317)	610 (277)	

Ice production – 1000 series, water-cooled

Inlet water temperature	Condenser water temperature F (C)					24 hour ice production lbs/kg
	60 (16)	70 (21)	80 (27)	90 (32)	100 (38)	
50 F (10 C)	1071 (486)	1035 (470)	975 (443)	885 (402)	762 (346)	
60 F (16 C)	1025 (465)	979 (444)	912 (414)	826 (375)	723 (328)	
70 F (21 C)	971 (441)	932 (423)	870 (395)	786 (357)	683 (310)	
80 F (27 C)	912 (414)	888 (403)	839 (381)	759 (345)	642 (292)	
90 F (32 C)	849 (386)	842 (382)	814 (370)	745 (338)	603 (274)	

Ice production – 1400 series, air-cooled

Inlet water temperature	Ambient air temperature F (C)					24 hour ice production lbs/kg
	60 (16)	70 (21)	80 (27)	90 (32)	100 (38)	
50 F (10 C)	1536 (697)	1452 (659)	1321 (599)	1217 (552)	1117 (507)	
60 F (16 C)	1446 (656)	1361 (617)	1258 (570)	1176 (533)	1075 (488)	
70 F (21 C)	1370 (621)	1281 (581)	1194 (541)	1122 (509)	1027 (466)	
80 F (27 C)	1304 (591)	1212 (550)	1130 (513)	1089 (494)	976 (443)	
90 F (32 C)	1246 (565)	1152 (523)	1067 (484)	991 (449)	922 (418)	

Ice production – 1400 series, water-cooled

Inlet water temperature	Condenser water temperature F (C)					24 hour ice production lbs/kg
	60 (16)	70 (21)	80 (27)	90 (32)	100 (38)	
50 F (10 C)	1528 (693)	1476 (669)	1423 (646)	1371 (662)	1318 (598)	
60 F (16 C)	1481 (672)	1429 (648)	1376 (624)	1324 (600)	1271 (576)	
70 F (21 C)	1450 (658)	1398 (634)	1345 (610)	1293 (586)	1240 (562)	
80 F (27 C)	1403 (637)	1351 (613)	1298 (589)	1246 (565)	1193 (541)	
90 F (32 C)	1356 (615)	1304 (591)	1251 (568)	1199 (544)	1146 (520)	



Harmony, Horizon, Ice•Device, Ice Manager, RIDE and Vision are trademarks of Follett Corporation. Chewblet and Follett are registered trademarks of Follett Corporation, registered in the US. Follett reserves the right to change specifications at any time without obligation. Certifications may vary depending on country of origin.