

## remote air-cooled condensing 700 series Chewblet® ice machine



### Features

Horizon Chewblet ice machine with up to 675 lb (306.2 kg) daily production of popular Chewblet ice

- automatically transport ice through a tube with RIDE® technology from up to 75' (22.8 m) away (10' (3 m) for Micro Chewblet ice)
- chewable, compressed nugget ice is preferred over cubes<sup>1</sup>
- Chewblet ice dispenses reliably from ice and beverage dispensers
- available with approximately 1.00" (2.54 cm) long standard Chewblet ice or optional 3/8" (0.95 cm) long Micro Chewblet ice
- environmentally responsible R404a refrigerant with zero ozone depletion potential
- water and energy efficient
- quiet production without noisy harvest cycles

### Durable, attractive ice machine

- regular bearing inspection or replacement is not required
- easy-to-read LED operating status and diagnostic display
- smooth contours for aesthetically appealing appearance

### Designed with sanitation in mind

- Agion® silver-based antimicrobial product protection of key ice and water contact components<sup>2</sup>
- aluminum-bronze evaporator has antimicrobial properties
- automatic self-flushing reduces water scale buildup
- floatless, sealed design inhibits formation of biofilms
- semi-automatic cleaning and sanitizing system

### Agency approvals



### Warranty

- 3 years parts and labor, 5 years compressor parts

### Short form specification:

Ice machine to be a Follett® Horizon Chewblet ice machine model \_\_\_\_\_ [Insert size/series, condenser type & installation/mounting, from model number guide] remote 700 □ without remote condensing unit (for connection with rack system) □ with remote air-cooled condensing unit capable of producing compressed nugget ice using an efficient, sanitary horizontal evaporator/auger system and delivering ice by a flexible wire reinforced transport tube to □ ice storage bin, □ ice and water dispenser, □ ice and beverage dispenser, □ drop-in dispenser and provided with a stainless steel frame and exterior, slide-out evaporator with utility docking station, front-mounted unit status display, automatic self-flush, and semi-automatic cleaning & sanitizing system, plus all the features listed:

Horizon remote 700 series ice machine			
Use/application	Install/mount	Condenser	Item number
with ice storage bin	top mount	with	HCD700RBT
		without	HCD700NBT
	RIDE	with	HCD700RBS
		without	HCD700NBS
with Follett Vision™ dispenser	RIDE	with	HCD700RVS
		without	HCD700NVS
with ice and beverage dispenser (by others)	top mount	with	HCD700RHT*
		without	HCD700NHT*
	RIDE	with	HCD700RHS
		without	HCD700NHS
with drop-in dispenser (by others)	RIDE	with	HCD700RJS
		without	HCD700NJS

\* Requires Harmony™ top kit (see page 5)  
NOTE: For Micro Chewblet ice, replace second character (C) with an M e.g. HMD700RBT

### Accessories

- Harmony conversion top kit for ice and beverage dispensers (listed on page 5)
- Water filter kit (item# 00978957 – see form# 9905 for details)
- Wall mount bracket (item# 00997098 – see form# 3311 for details)
- Ice machine stand, height-adjustable (item# 00997080 – see form# 3311 for details)
- Timer to control one or two Horizon ice machines (item# 00967265 – see form# 3311 for details)
- Longer ice transport tube (10'/3 m is standard) – Specify length: \_\_\_\_\_ ft/m in 5'/1.5 m increments
- 35' (10.7m) refrigeration lines (item# 00193227 – not precharged)

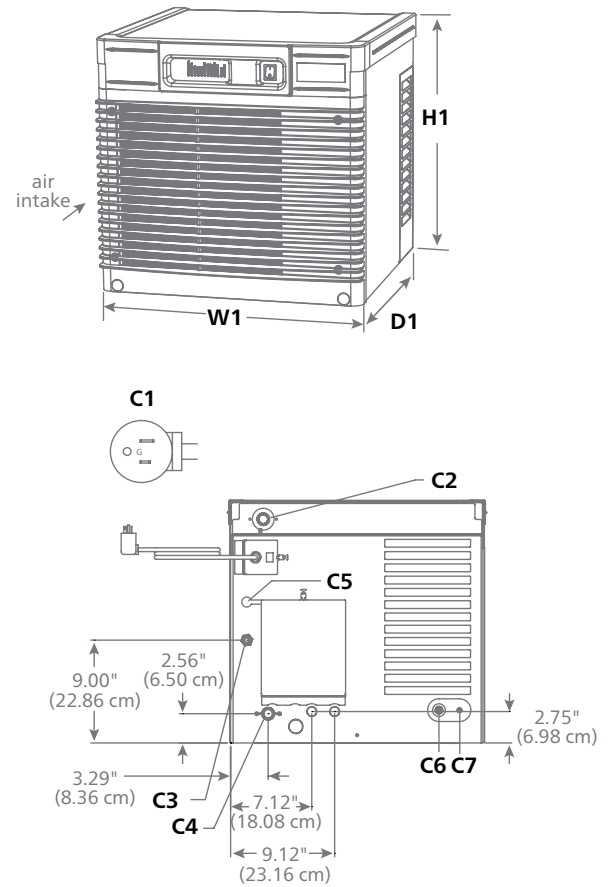
Job \_\_\_\_\_

Item \_\_\_\_\_

## Evaporator specification

<b>W1</b> Width	22.62" (57.4 cm) Fits 22.00" wide dispensers
<b>D1</b> Depth	24.25" (61.6 cm)
<b>H1</b> Height	21.12" (53.6 cm)
<b>C1</b> Electrical	1.2 amps, requires dedicated 15 amp circuit, 6.5' (2 m) cord, NEMA 5-15 plug.
<b>C2</b> Ice transport tube	See page 6 for details
<b>C3</b> Water inlet	3/8" OD push-in water inlet
<b>C4</b> Drain	3/4" MPT - vented T required
<b>C5</b> Ice bin signal cord	for Vision applications only
<b>C6</b> Suction line	5/8"
<b>C7</b> Liquid line	3/8"
Water temperature	45 - 90 F (7 - 32 C)
Potable water pressure	10 - 70 psi (69 - 483 kpa)
Ice production	See ice production charts on page 8
Energy consumption	air-cooled models – 5.2 kWh, 90 F (32 C) air, 70 F (21 C) water
Water consumption	12 gal (45.4 L) of potable water per 100 lb (45.4 kg) of ice (per AHRI test standards) 12.5 gal (47.3 L) including periodic flushing
Approximate ship weight	125 lb (57 kg)
NOTE: For indoor use only	

## Evaporator dimensional drawing



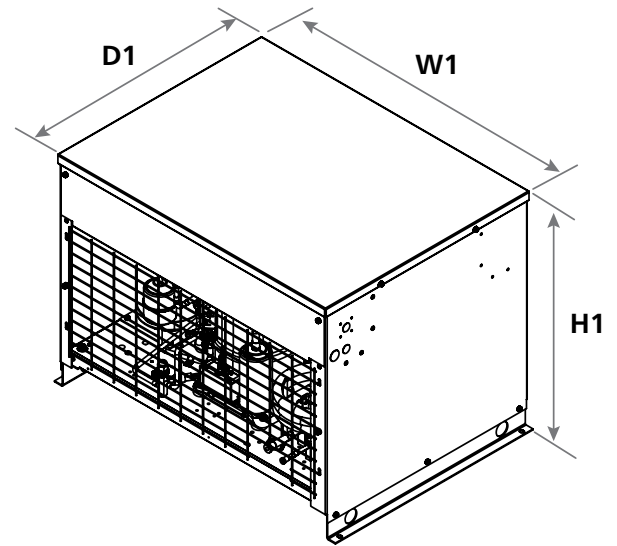
## Condenser specification

<b>W1</b> Width	36.25" (92.1 cm)
<b>D1</b> Depth	25.50" (64.8 cm)
<b>H1</b> Height	26.10" (66.3 cm)
Air temperature	-20 - 120 F (29 - 49 C)
Maximum refrigerant line run length	100' (30.5 m)
Maximum line rise above evaporator	35' (10.7 m)
Evaporator mounting above condenser	15' (4.6 m)
Evaporator mounting maximum refrigeration line drop	15' (4.6 m)
Cooling capacity for ice machines connected to ride systems	5200 BTU/hr
Rack systems (EPR valve to be supplied by installer)	set to 0 F (-18 C)
Ice production	See ice production charts on page 8
Approximate ship weight	225 lb (102.0 kg)

### NOTE: For outdoor use only

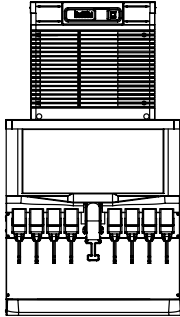
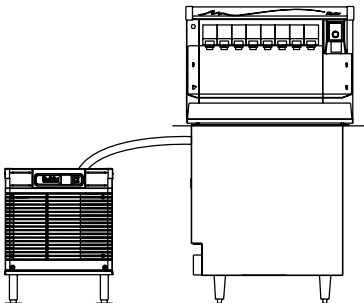
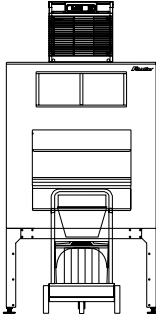
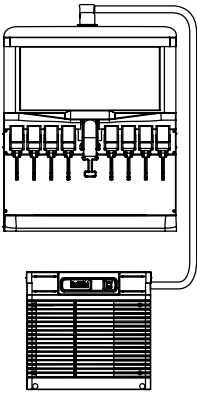
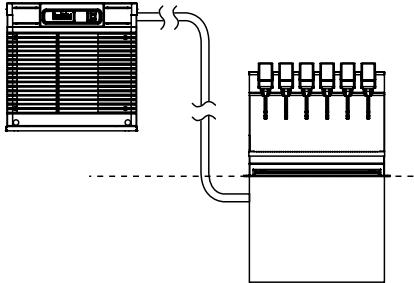
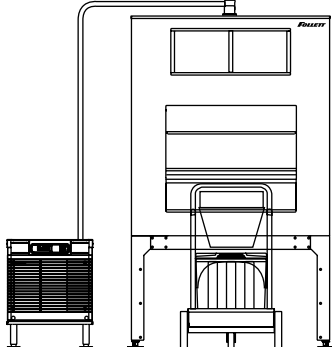
Condensing units have a liquid suction line heat exchanger. The entire liquid line should be insulated separately from the suction line. Outdoor installation of low side is not recommended and will void warranty.

## Condenser dimensional drawing



# 1 – Locating the ice machine

Horizon self-contained Chewblet ice machines allow top-mounting or mounting in a base cabinet, on a wall or on a floor stand up to 75' (22.9 m) from the dispenser or ice bin with RIDE technology (10' (3.0 m) for Micro Chewblet ice). In-cabinet mounting (RIDE applications) require special attention to service access and ice tube runs (see pages 5-6).

<p><b>Top mounting – ice &amp; beverage dispensers (by others)</b></p>	<p><b>RIDE model – Follett low-profile Vision™ ice &amp; beverage dispensers</b></p>	<p><b>Top mount on Follett ice storage bins</b></p>
		
<p><b>Important specifier notes:</b></p> <ol style="list-style-type: none"> <li>1. Dispenser must be compatible with nugget ice. See page 5 for compatible ice and beverage dispenser models and top kit numbers.</li> <li>2. Verify ceiling or soffit height to ensure sufficient top clearance.</li> </ol>	<p><b>Important specifier notes:</b></p> <ol style="list-style-type: none"> <li>1. See page 5-6 for critical clearance and venting requirements.</li> <li>2. Ice transport tube shipped with Vision ice and beverage dispenser (Vision applications only).</li> </ol>	<p><b>Important specifier notes:</b></p> <ol style="list-style-type: none"> <li>1. See form# B300 for bin sizing.</li> <li>2. Verify ceiling or soffit height to ensure top clearance.</li> <li>3. Locate floor sink or grate and drains in front of storage bin.</li> <li>4. Do not position bin drain lines to block Ice•Devlce™ bin cart.</li> </ol>
<p><b>RIDE model – ice &amp; beverage dispensers (by others)</b></p>	<p><b>RIDE model – drop-in beverage dispensers (by others)</b></p>	<p><b>RIDE model – Follett ice storage bins</b></p>
		
<p><b>Important specifier notes:</b></p> <ol style="list-style-type: none"> <li>1. Dispenser must be compatible with nugget ice. Compatible dispensers include those on page 5 as well as Servend MD150/175/200/250, SV175/200/250, MDH-402 and Coca-Cola Freestyle.</li> </ol>	<p><b>Important specifier notes:</b></p> <ol style="list-style-type: none"> <li>1. Compatible with the following dispensers: Cornelius 1522, 1722, 2323 and Lancer 2200, 2300, 23300.</li> <li>2. Requires 12.00" (30.5 cm) of access space for installation on transport tube side.</li> </ol>	<p><b>Important specifier notes:</b></p> <ol style="list-style-type: none"> <li>1. See form# B300 for bin sizing.</li> <li>2. Locate floor sink or grate and drains in front of storage bin.</li> <li>3. Do not position bin drain lines to block Ice•Devlce bin cart.</li> </ol>

## 1 – Locating the ice machine (continued)

Top mounting – compatible ice & beverage dispensers*					
Manufacturer	Model Number	Width in (cm)	Depth† in (cm)	Height** in (cm)	Harmony top kit – specify "F" for front facing, or "B" for backward facing units
Lancer dispensers	4500-22N	22.00 (55.9)	30.50 (77.5)	36.66 (93.1)	HTL22RC-7F
	4500-30N / Chewable ice dispenser	30.00 (76.2)	30.50 (77.5)	36.66 (93.1)	HTL30RC-7F
	FS-22N	22.00 (55.9)	30.50 (77.5)	41.28 (104.8)	HTL22RC-7F
	FS-30N	30.00 (76.2)	30.50 (77.5)	41.28 (104.8)	HTL30RC-7F
	FS-44N#	44.75 (113.7)	30.38 (77.2)	42.72 (108.5)	HTL22RC-7F#
Cornelius dispensers	DB/ED/DF 150 series	22.00 (55.9)	30.75 (78.1)	35.63 (90.5)	HTC22RC-7F
	DB/ED/DF 175 series	24.50 (62.2)	30.00 (76.2)	35.63 (90.5)	HTC24RC-7F
	DB/ED/DF 200 series	30.00 (76.2)	30.95 (78.6)	35.63 (90.5)	HTC30RC-7F
	DB/ED/DF 250 series	30.00 (76.2)	30.95 (78.6)	39.63 (100.7)	HTC30RC-7F
	DB/ED/DF 300 series	44.38 (112.7)	30.00 (76.2)	39.63 (100.7)	HTC44RC-7 (F or B)
	FlavorFusion / Overload	30.00 (76.2)	33.00 (83.82)	41.00 (104.1)	HTC30RC-7F-FF
	IDC215	30.00 (76.2)	29.88 (75.9)	36.69 (93.2)	HTC30RC-7F-IDC
	IDC255	30.00 (76.2)	33.13 (84.2)	39.75 (101.0)	HTC30RC-7F-IDC
Servend dispensers	MDH-302	42.75 (108.6)	30.50 (77.5)	35.16 (89.3)	HTS44RC-7 (F or B)

\*All approved dispensers can be filled with a RIDE model Horizon ice machine without a top kit.

† Requires minimum 1.00" (2.54 cm) clearance between back of dispenser and wall.

\*\* Net height after installation of top kit (excluding height of ice machine).

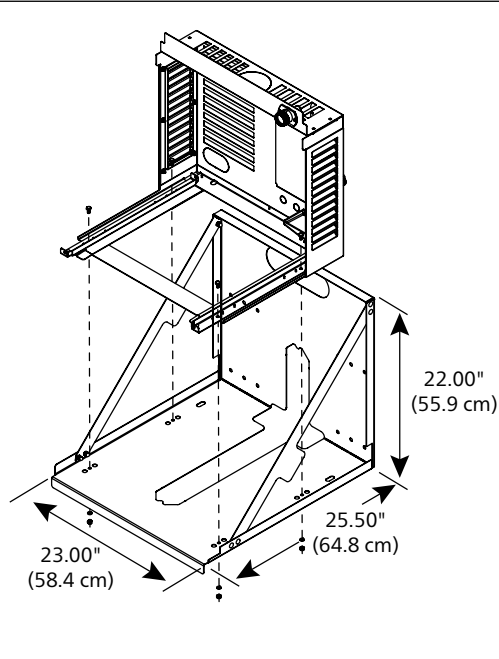
# FS-44N consists of 2 separate 22.00" (55.9 cm) dispensers. A top kit is needed for each Horizon ice machine ordered.

## 2 – Undercounter/in-cabinet mounting

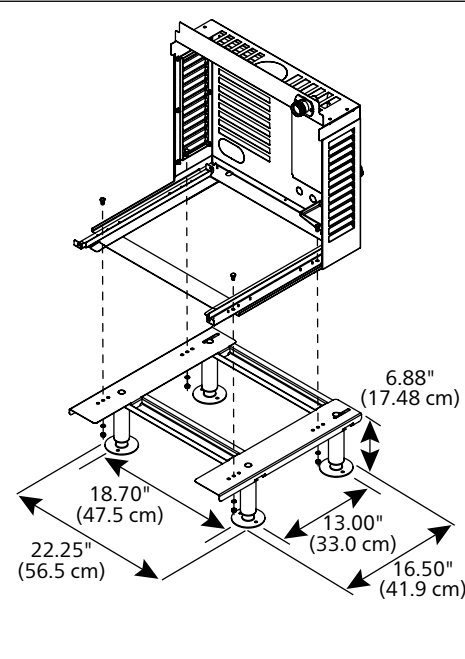
Cabinet details	
<p><b>Important specifier notes</b></p> <ol style="list-style-type: none"> <li>1. Cabinet door opening must meet minimum size requirements shown and be free of obstructions to allow ice machine to slide out (no lip or utilities to block removal).</li> <li>2. Cabinet base must be capable of supporting ice machine and allow ice machine to rest flat on cabinet bottom.</li> <li>3. No counter supports, electric or plumbing can run in front of the ice machine.</li> </ol>	<p><b>Cabinet door opening</b> 24.00"W x 22.25"H (60.9 cm x 56.5 cm) minimum</p> <p><b>slides out</b></p> <p><b>Cabinet base</b> must be flat &amp; free of obstructions (no lip or utilities to block removal)</p>

## 4 – Horizon ice machine mounting accessories

### Optional wall mount bracket



### Optional machine stand

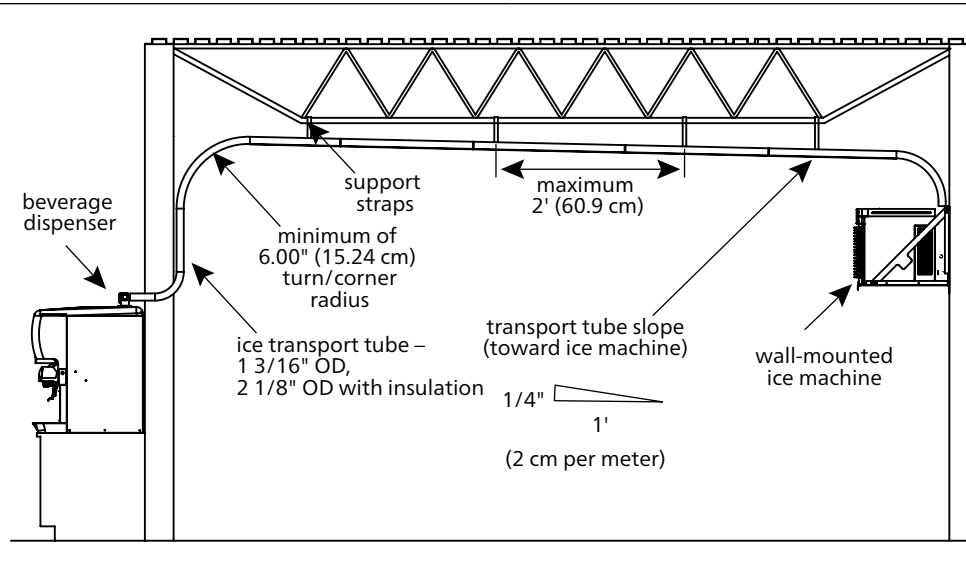


### Important specifier notes:

1. For secure wall mounting, specify optional wall mount bracket.
2. Wall and fasteners must support the weight of the ice machine, bracket, supply water and ice. Use of a backing board may be required with hollow wall construction.
3. Machine stand mounting adds 6.88" (17.48 cm) to height of ice machine.
4. No dips in tube routing allowed.
5. Ice transport tube needs minimum 1/4" per foot (2 cm per meter) pitch toward ice machine and should be secured to prevent dips and traps from forming.

## 5 – Horizon ice tube runs - specifier guidelines

### Long tube runs for RIDE remote ice delivery equipment



### Important specifier notes:

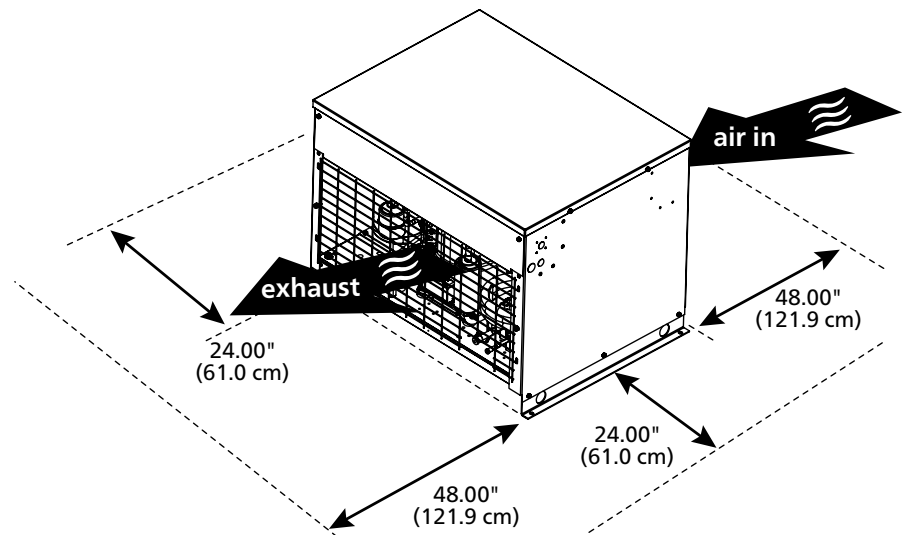
1. 75' (22.8 m) maximum ice transport tube run (10' (3.04 m) for Micro Chewblet ice).
2. Tubing routing bends must have a 6.00" (15.24 cm) radius or larger.
3. If not supported from underneath, secure insulated ice transport tube at least every 2' (60.9 cm) to prevent dips or traps.
4. Relative humidity levels above 80% in areas where the ice machine or ice transport tube are located may produce excessive condensation that will cause water damage.
5. Contact factory for recommendations on running tubing through a decorative soffit or chase.

# Remote condensing unit

## Condensing unit installation specifications

### Important specifier notes:

1. Provide front, back and side clearances as shown.
2. The maximum refrigerant line run length is 100' (30.5 m). Installations with up to 50' (15.2 m) line run require: 700 Series – 8 lb (4 kg) of refrigerant  
Consult installation manual for correct refrigerant charge if line run exceeds 50 ft (15.2 m).
3. The maximum line rise above the evaporator is 35 ft (10.7 m).  
Condensing unit above evaporator unit – 35 ft (10.7 m) (installations with rise over 20 ft (6.1 m) require additional suction line s-trap at midpoint rise).
4. The evaporator can only be mounted a maximum of 15' (4.6 m) above the condensing unit.  
Note: The service loop is not included when calculating length, rise or drop in the tubing run.



Note: To connect evaporator/ice machine to rack systems, see page 3.

## Ice production – Horizon 700R/N series

Inlet water temperature F (C)	Ambient air temperature F (C)					lb/kg production in 24 hr
	60 (16)	70 (21)	80 (27)	90 (32)	100 (38)	
50 F (10 C)	747 (339)	678 (308)	644 (292)	586 (266)	565 (256)	
60 F (16 C)	714 (324)	673 (305)	618 (280)	559 (254)	529 (240)	
70 F (21 C)	671 (304)	643 (292)	589 (267)	528 (239)	512 (232)	
80 F (27 C)	649 (294)	609 (276)	561 (254)	506 (230)	478 (217)	
90 F (32 C)	600 (272)	583 (264)	535 (243)	499 (226)	441 (200)	



Agion is a registered trademark of Sciessent LLC.

- 1 Independent third party studies. Contact Follett for details.
- 2 Disclaimer: Antimicrobial protection is limited to the treated components and does not treat water or ice.

Horizon, Vision, Ice•Device and SafeCLEAN are trademarks of Follett Corporation.

Chewblet, Follett and RIDE are registered trademarks of Follett Corporation, registered in the US.

Follett reserves the right to change specifications at any time without obligation. Certifications may vary depending on country of origin.

## Remote condensing 700 series ice machine