

Follett® Horizon Chewblet ice icemakers are compact, reliable and versatile. Available in both top mount and Satellite-fill™ configurations, Horizon icemakers can fill

- Ice storage bins, ice transport systems, and Ice•DevIce™ chuted bin and cart systems
- Follett Vision™ low-profile ice and beverage dispensers
- Countertop ice and beverage dispensers
- Drop-in dispensers at drive-thrus and server stations
- With the Ice Manager™ diverter valve system, one Horizon icemaker can fill two ice receptacles

Engineered with stainless steel frame and exterior, the Horizon 1400 series icemakers use environmentally friendly R404A refrigerant and are capable of producing up to 1450 lbs (658 kg) of Chewblet compressed nugget ice in a 24-hour period.

### Low life cycle cost

- Uses up to 60% less water than cube icemakers
- Rejects up to 30% less heat than typical cuber
- Requires no preventive maintenance other than regular cleaning

### Satellite-fill capability

- Install icemaker up to 75 ft (23 m) away from the bin or dispenser; applications more than 20 ft (6 m) require factory approval
- Improved sanitation, aesthetics, serviceability

### Consumer-preferred Chewblet ice

- More reliable dispensing than nugget or pellet ice
- Slow melting, maintains drink temperature and quality
- Drink performance comparable to cubes
- Higher displacement than cube ice

### Innovative engineering; unsurpassed reliability

- Horizontally positioned evaporator provides maximum heat transfer for high capacity with compact dimensions
- Unique auger profile design maximizes ice capacity and reduces loads on gearmotor, bearings and seals
- Automatic self-flushing reduces scale build-up
- Easy to read display provides at-a-glance operational status
- Semi-automatic cleaning and sanitizing system lowers maintenance cost
- Quiet operation, no noisy batch harvest cycles

### Superior sanitation

- Floatless, sealed design inhibits formation of biofilms
- Aluminum bronze evaporator provides inherent anti-microbial properties

### Accessories

- Water filter kit (item# 00130286)
- Wall mount bracket (refer to form# 3311)
- Ice machine stand (refer to form# 3311)
- 35', non-precharged line sets (refer to form# 3311)

### Warranty

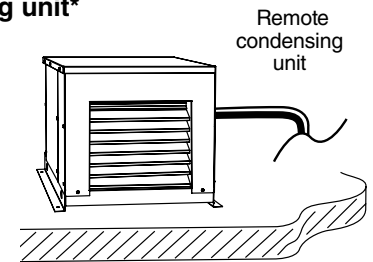
- 3 years parts and labor on all components; 5 year parts on compressor

### Horizon 1400 self-contained, with air- or water-cooled condensing unit



Application	Condenser	Top Mount	Satellite-fill
Ice storage bins	air water	HCC1400ABT HCC1400WBT	HCC1400ABS HCC1400WBS
Follett Vision dispensers	air water	not available	HCC1400AVS HCC1400WVS
Ice & beverage dispensers manufactured by others	air water	HCC1400AHT HCC1400WHT (requires Follett Harmony™ top kit.)	HCC1400AHS HCC1400WHS
Drop-in dispensers	air water	not available	HCC1400AJS HCC1400WJS
Ice Manager diverter valve system	air water	not available	HCC1400AMS HCC1400WMS

### Horizon 1400 with remote air-cooled condensing unit\*



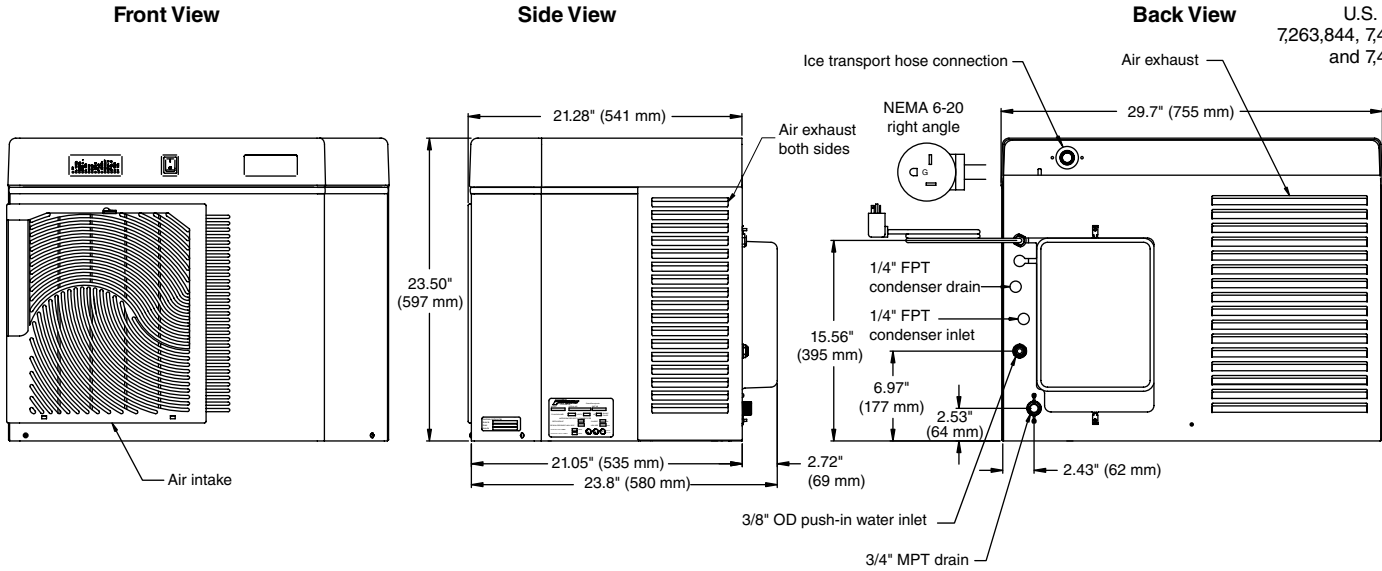
\* Available without remote condensing unit for connection to parallel rack system supplied by others

Application	Condenser	Top Mount	Satellite-fill
Ice storage bins	with without	HCD1400RBT HCD1400NBT	HCD1400RBS HCD1400NBS
Follett Vision dispensers	with without	not available	HCD1400RVS HCD1400NVS
Ice & beverage dispensers manufactured by others	with without	HCD1400RHT HCD1400NHT (requires Follett Harmony™ top kit.)	HCD1400RHS HCD1400NHS
Drop-in dispensers	with without	not available	HCD1400RJS HCD1400NJS
Ice Manager diverter valve system	with without	not available	HCD1400RMS HCD1400NMS

# Horizon Chewblet ice icemaker - self-contained, air- or water-cooled

**HCC1400A**  
**HCC1400W**

U.S. Patents  
7,263,844, 7,469,548  
and 7,469,552



## Operating Limits

Ambient air temp. range – 50 F to 100 F (10 C to 38 C).  
Water temp. range – 45 F to 90 F (7 C to 32 C).  
Potable water pressure – 10 psi to 70 psi (69 kpa to 483 kpa).  
Condenser water pressure – 150 psi (1035 kpa) maximum.

## Electrical

208-230/60/1, -5%/+10% under peak load. 12.0 amps, max. icemaker fuse or circuit breaker 20 amps. 6 ft (1.8 m) cord and plug to be provided with each icemaker. Separate circuits required for each icemaker.

## Transport Tube (Satellite-fill models only)

10 ft (3 m) of insulated transport tube provided.

## Approximate Shipping Weight

290 lbs (132 kg)

## Dimensions

Overall Dimensions		
Height	Depth	Width
23.5 in (597 mm)	23.8 in (604 mm)	29.7 in (753 mm)

## Water Consumption

13.2 gal (50 L) of potable water per 100 lbs (46 kg) of ice.

## Heat Rejection

16,000 BTU/hr (4,032 Kcal/hr) for air-cooled.  
16,400 BTU/hr (4,133 Kcal/hr) for water-cooled.

## Energy Consumption

KWH per 100 lbs (46 kg) ice*	
Air-cooled	5.1
Water-cooled	3.8

\*Air temp. 90 F (32 C); water temp. 70 F (21 C)

## Water Flow Requirements for Water-Cooled Condensers

Water Temp. F°/C°	50/10	60/16	70/21
Water Flow: Gallons/100 lbs of ice Liters/46 kg of ice	72 273	98 371	129 489

Application	Condenser	Top Mount	Satellite-fill
Ice storage bins <sup>1</sup>	air water	HCC1400ABT HCC1400WBT	HCC1400ABS HCC1400WBS
Follett Vision dispensers <sup>2</sup>	air water	not available	HCC1400AVS HCC1400WVS
Ice & beverage dispensers manufactured by others	air water	HCC1400AHT HCC1400WHT (requires Follett Harmony™ top kit.)	HCC1400AHS HCC1400WHS
Drop-in dispensers <sup>3</sup>	air water	not available	HCC1400AJS HCC1400WJS
Ice Manager diverter valve system <sup>4</sup>	air water	not available	HCC1400AMS HCC1400WMS

- 1 - Ice enters through top of bin in Satellite-fill applications. For side entry, contact factory at (800) 523-9361.
- 2 - See form# 3105 for additional design information regarding installation of a Horizon icemaker with Follett Vision dispensers.
- 3 - See form# 3425 for additional design information regarding installation of a Horizon icemaker with drop-in dispensers.
- 4 - See form# 3265 for additional design information regarding installation of a Horizon icemaker with Ice Manager diverter valve system.

## Ice Production

Air-cooled icemaker capacity/24 hrs.

Inlet Water Temperature F/C	Ambient Air Temperature F/C						
	F	60	70	80	90	100	
	C	16	21	27	32	38	
50	1536	1452	1321	1217	1117	1117	lbs
10	697	659	599	552	507	507	kg
60	1446	1361	1258	1176	1075	1075	lbs
16	656	617	570	533	488	488	kg
70	1370	1281	1194	1122	1027	1027	lbs
21	621	581	541	509	466	466	kg
80	1304	1212	1130	1089	976	976	lbs
27	591	550	513	494	443	443	kg
90	1246	1152	1067	991	922	922	lbs
32	565	523	484	449	418	418	kg

Water-cooled icemaker capacity/24 hrs.

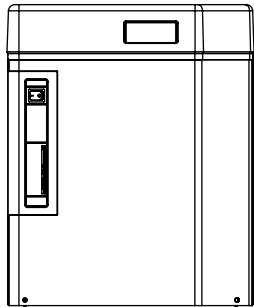
Inlet Water Temperature F/C	Condenser Water Temperature F/C						
	F	60	70	80	90	100	
	C	16	21	27	32	38	
50	1528	1476	1423	1371	1318	1318	lbs
10	693	669	646	622	598	598	kg
60	1481	1429	1376	1324	1271	1271	lbs
16	672	648	624	600	576	576	kg
70	1450	1398	1345	1293	1240	1240	lbs
21	658	634	610	586	562	562	kg
80	1403	1351	1298	1246	1193	1193	lbs
27	637	613	589	565	541	541	kg
90	1356	1304	1251	1199	1146	1146	lbs
32	615	591	568	544	520	520	kg

# Horizon Chewblet ice icemaker with remote condensing unit

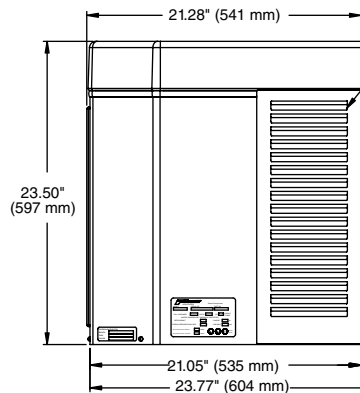
**HCD1400R**  
**HCD1400N**

U.S. Patents  
7,263,844, 7,469,548  
and 7,469,552

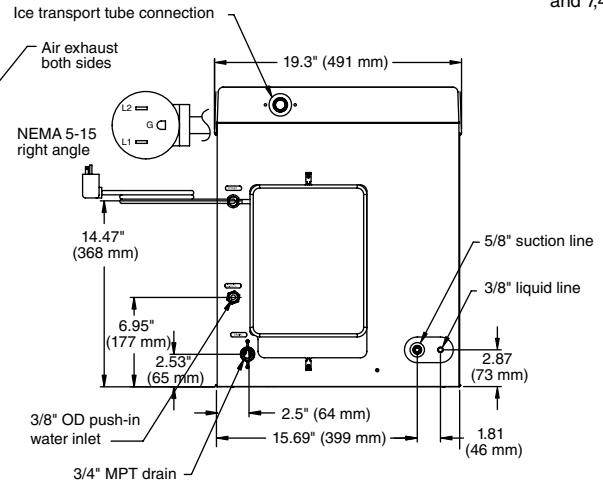
**Front View**



**Side View**



**Back View**



## Operating Limits

Ambient air temp. range, condenser – -20 F to 120 F (-29 C to 49 C).  
Ambient air temp. range, evaporator – 50 F to 100 F (10 C to 38 C).  
Water temperature range – 45 F to 90 F (7 C to 32 C).  
Potable water pressure – 10 psi to 70 psi (69 kpa to 483 kpa).  
Remote condensing unit capacity of 10,000 BTU/hr (2520 kcal/hr) at 0 F (-18 C) evaporator, 90 F (32 C) ambient air (HCD1400N units only).  
Rack systems require EPR valve (supplied by others) set to 0 F (-18 C).

## Installation Limits

Maximum line run length – 100 ft (30.5 m).  
Installations with up to 50 ft (15.2 m) line run require 11 lbs (5 kg) of refrigerant (consult installation manual for correct refrigerant charge if line run exceeds 50 ft (15.2 m)).  
Maximum line rise  
Condensing unit above evaporator unit – 35 ft (10.7 m) (installations with rise over 20 ft (6.1 m) require additional suction line s-trap at midpoint of rise).  
Evaporator unit above condensing unit – 15 ft (4.6 m).  
Maximum line drop – 15 ft (4.6 m).

## Electrical

Evaporator unit – 115/60/1, 6 amps; max. icemaker fuse or circuit breaker 15 amps.  
Condensing unit – 208-230/60/1, 15 amps; max. fuse or circuit breaker 30 amps.  
6 ft (1.8 m) cord and NEMA 5-15 hospital-grade plug provided with evaporator unit. Separate circuits required for each.

## Transport Tube (Satellite-fill models only)

10 ft (3 m) of insulated transport tube provided.

## Approximate Shipping Weight

Evaporator unit – 190 lbs (86 kg); Condensing unit – 330 lbs (175 kg)

## Dimensions

Overall Dimensions		
Height	Depth	Width
23.5 in (597 mm)	23.8 in (604 mm)	19.3 in (491 mm)

## Water Consumption

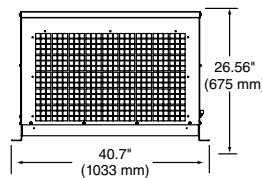
13.2 gal (50 L) of potable water usage per 100 lbs (46 kg) of ice.

## Energy Consumption

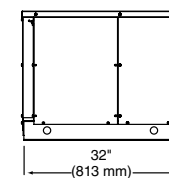
KWH per 100 lbs (46 kg) ice*	
Remote condensing unit	4.8

\*Air temp. 90 F (32 C); water temp. 70 F (21 C)

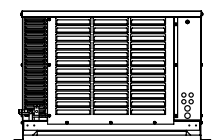
**Condensing Unit  
Front View**



**Condensing Unit  
Side View**



**Condensing Unit  
Back View**



Application	Condenser	Top Mount	Satellite-fill
Ice storage bins <sup>1</sup>	with without	HCD1400RBT HCD1400NBT	HCD1400RBS HCD1400NBS
Follett Vision dispensers <sup>2</sup>	with without	not available	HCD1400RVS HCD1400NVS
Ice & beverage dispensers manufactured by others	with without	HCD1400RHT HCD1400NHT (requires Follett Harmony™ top kit.)	HCD1400RHS HCD1400NHS
Drop-in dispensers <sup>3</sup>	with without	not available	HCD1400RJS HCD1400NJS
Ice Manager diverter valve system <sup>4</sup>	with without	not available	HCD1400RMS HCD1400NMS

- 1 - Ice enters through top of bin in Satellite-fill applications. For side entry, contact factory at (800) 523-9361.
- 2 - See form# 3110 for additional design information regarding installation of a Horizon icemaker with Follett Vision dispensers.
- 3 - See form# 3425 for additional design information regarding installation of a Horizon icemaker with drop-in dispensers.
- 4 - See form# 3265 for additional design information regarding installation of a Horizon icemaker with Ice Manager diverter valve system.

## Ice Production

Icemaker capacity/24 hrs.

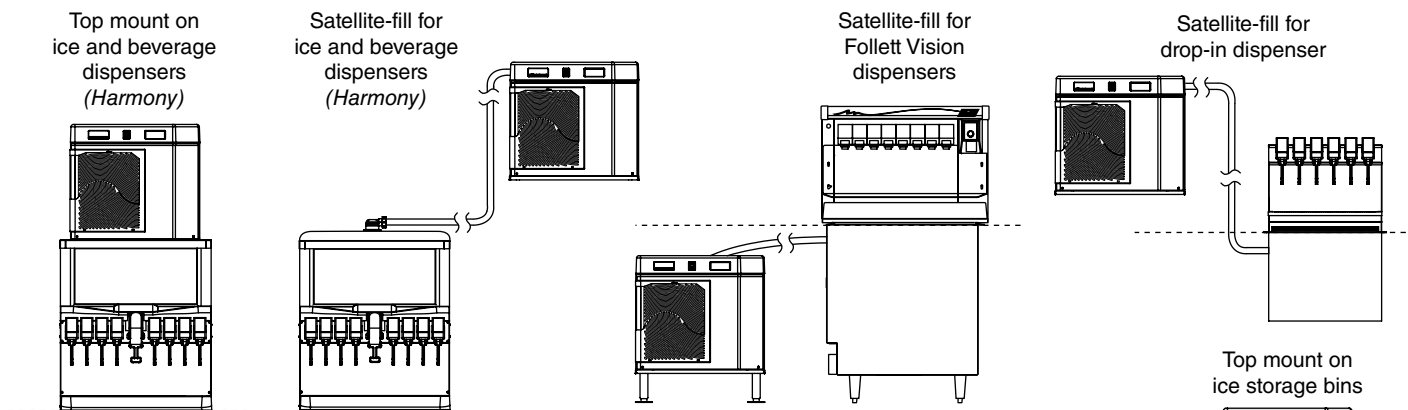
		Ambient Air Temperature F/C					
		F	60	70	80	90	100
Inlet Water Temperature F/C	F	1354	1333	1260	1243	1227	lbs
	C	614	605	571	564	556	kg
	50	1293	1272	1225	1208	1192	lbs
	10	586	577	556	548	541	kg
	60	1229	1208	1190	1172	1157	lbs
	16	557	548	540	532	525	kg
	70	1167	1146	1102	1084	1069	lbs
	21	529	520	500	492	485	kg
	80	1107	1060	1013	995	980	lbs
	27	502	481	460	451	445	kg
	90						
	32						

## Horizon Series Icemaker Model Number Configurations

<div style="display: flex; justify-content: space-around; align-items: center;"> <span style="border: 1px solid black; padding: 2px;">HC</span> <span style="border: 1px solid black; padding: 2px;">C</span> <span style="border: 1px solid black; padding: 2px;">1400</span> <span style="border: 1px solid black; padding: 2px;">A</span> <span style="border: 1px solid black; padding: 2px;">V</span> <span style="border: 1px solid black; padding: 2px;">S</span> </div>					
Icemaker	Voltage	Series	Condenser	Application	Configuration
HC Horizon Chewblet®	C 208-230/60/1 <i>(self-contained only)</i> D Low side 115/60/1 Condensing unit 208-230/60/1 <i>(remote condensing only)</i> E 230/50/1 <i>(self-contained only)</i>	1000 up to 1036 lbs (471 kg)  1400 up to 1450 lbs (658 kg)	A Air-cooled, self-contained W Water-cooled, self-contained R Air-cooled, remote condensing unit N Air-cooled, no condensing unit for connection to parallel rack system	V Vision™ H Harmony™ B Ice storage bin J Drop-in M Ice Manager† diverter valve system	S Satellite-fill™ T Top-mount

† Ice Manager diverter valve systems can be used to fill two bins or dispensers with a single icemaker.

Chewblet is a registered trademark of Follett Corporation, registered in the US.



### Approved Harmony applications and top kits\*

Manufacturer/ Model Number	W = Width in (mm)	D = Depth in (mm)	H = Height** in (mm)	Harmony top kit – specify “F” for front facing, or “B” for backward facing units	
				HCC1400 Air or Water	HCD1400 Remote Condensing
<b>Lancer dispensers</b>					
4500-22N	22.0 ( 559)	30.5 (775)	N/A	Satellite-fill only	Satellite-fill only
4500-30N	30.0 ( 762)	30.5 (775)	36.50 ( 928)	HTL30SC-14F	HTL30RC-F
FS-22N	22.0 ( 559)	30.5 (775)	42.13 (1070)	Satellite-fill only	HTL22RC-F
FS-30N	30.0 ( 762)	30.5 (775)	42.13 (1070)	HTL30SC-14F	HTL30RC- (F or B)
FS-44N #	44.0 (1118)	30.5 (775)	42.13 (1070)	Satellite-fill only	(2) HTL22RC-F
<b>Remcor/Cornelius dispensers</b>					
DB/ED/DF 150 series	22.0 ( 559)	30.0 (762)	34.38 ( 873)	Satellite-fill only	HTC22RC-F
DB/ED/DF 200 series	30.0 ( 762)	30.0 (762)	34.38 ( 873)	HTC30SC-14F	HTC30RC-F
DB/ED/DF 250 series	30.0 ( 762)	30.0 (762)	38.38 ( 975)	HTC30SC-14F	HTC30RC-F
DB/ED/DF 300 series	44.0 (1118)	30.0 (762)	34.0 ( 864)	HTC44SC-14 (F or B)	HTC44RC- (F or B)
FlavorFusion	30.0 ( 762)	30.7 (780)	39.38 (1000)	HTC30SC-14F-FF	HTC30RC-14F-FF
IDC200	30.0 ( 762)	30.7 (780)	39.38 (1000)	HTC30SC-14F-IDC	HTC30RC-14F-IDC
IDC250	30.0 ( 762)	30.7 (780)	36.38 ( 924)	HTC30SC-14F-IDC	HTC30RC-14F-IDC
<b>SerVend dispensers</b>					
MDH-302	42.75 (1086)	31.0 (787)	32.38 ( 820)	HTS44SC-14 (F or B)†	HTS44RC- (F or B)†
MDH-402	60.0 (1524)	30.5 (775)	32.38 ( 820)	Satellite-fill only	HTS60RC- _ §(F or B)†

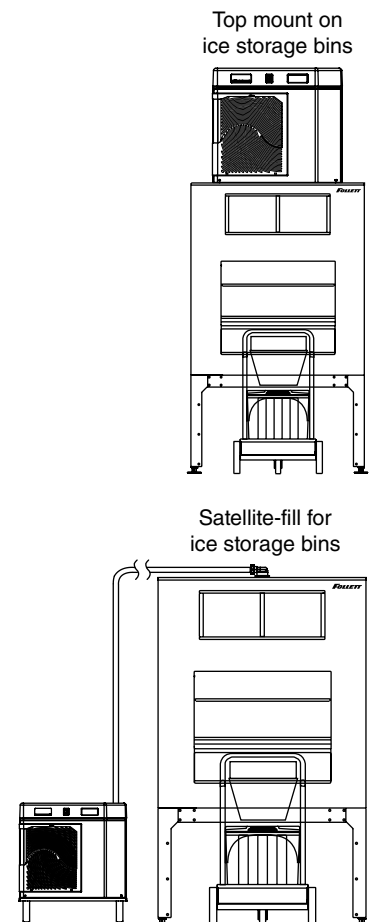
\*All approved dispensers can be filled with a Satellite-fill Horizon model without a top kit.

§ 60- inch models: Please specify number of Horizon icemakers and location. D = 2; R = 1 on right side; L = 1 on left side

† Requires minimum .5" (12.7 mm) clearance between back of dispenser and wall.

\*\* Net height after installation of top kit (excluding height of icemaker).

# F-44N consists of 2 separate 22" dispensers. A top kit is needed for each Horizon icemaker ordered.



Follett® Horizon Chewblet ice icemakers are compact, reliable and versatile. Available in both top mount and Satellite-fill™ configurations, Horizon icemakers can fill

- Ice storage bins, ice transport systems, and Ice•Devlce™ chuted bin and cart systems
- Follett Vision™ low-profile ice and beverage dispensers
- Countertop ice and beverage dispensers
- Drop-in dispensers at drive-thrus and server stations
- With the Ice Manager™ diverter valve system, one Horizon icemaker can fill two ice receptacles

Engineered with stainless steel frame and exterior, the Horizon 1000 series icemakers use environmentally friendly R404A refrigerant and are capable of producing up to 1125 lbs (511 kg) of Chewblet compressed nugget ice in a 24-hour period.

### Low life cycle cost

- Uses up to 60% less water than cube icemakers
- Rejects up to 30% less heat than typical cuber
- Requires no preventive maintenance other than cleaning

### Satellite-fill capability

- Install icemaker up to 75 ft (23 m) away from the bin or dispenser; applications more than 20 ft (6 m) require factory approval
- Improved sanitation, aesthetics, serviceability

### Consumer-preferred Chewblet ice

- More reliable dispensing than nugget or pellet ice
- Slow melting, maintains drink temperature and quality
- Drink performance comparable to cubes
- Higher displacement than cube ice

### Innovative engineering; unsurpassed reliability

- Horizontally positioned evaporator provides maximum heat transfer for high capacity with compact dimensions
- Unique auger profile design maximizes ice capacity and reduces loads on gearmotor, bearings and seals
- Automatic self-flushing reduces scale build-up
- Easy to read display provides at-a-glance operational status
- Semi-automatic cleaning and sanitizing system lowers maintenance cost
- Quiet operation, no noisy batch harvest cycles

### Superior sanitation

- Floatless, sealed design inhibits formation of biofilms
- Aluminum bronze evaporator provides inherent anti-microbial properties

### Accessories

- Water filter kit (item# 00130286)
- Wall mount bracket (refer to form# 3311)
- Ice machine stand (refer to form# 3311)
- 35', non-precharged line sets (refer to form# 3311)

### Warranty

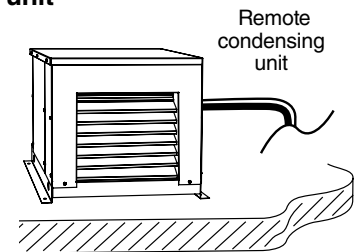
- 3 years parts and labor on all components; 5 year parts on compressor

### Horizon 1000 self-contained, with air- or water-cooled condensing unit



Application	Condenser	Top Mount	Satellite-fill
Ice storage bins	air water	HCC1000ABT HCC1000WBT	HCC1000ABS HCC1000WBS
Follett Vision dispensers	air water	not available	HCC1000AVS HCC1000WVS
Ice & beverage dispensers manufactured by others	air water	HCC1000AHT HCC1000WHT (requires Follett Harmony™ top kit.)	HCC1000AHS HCC1000WHS
Drop-in dispensers	air water	not available	HCC1000AJS HCC1000WJS
Ice Manager diverter valve system	air water	not available	HCC1000AMS HCC1000WMS

### Horizon 1000 remote with remote air-cooled condensing unit\*



\* Available without remote condensing unit for connection to parallel rack system supplied by others

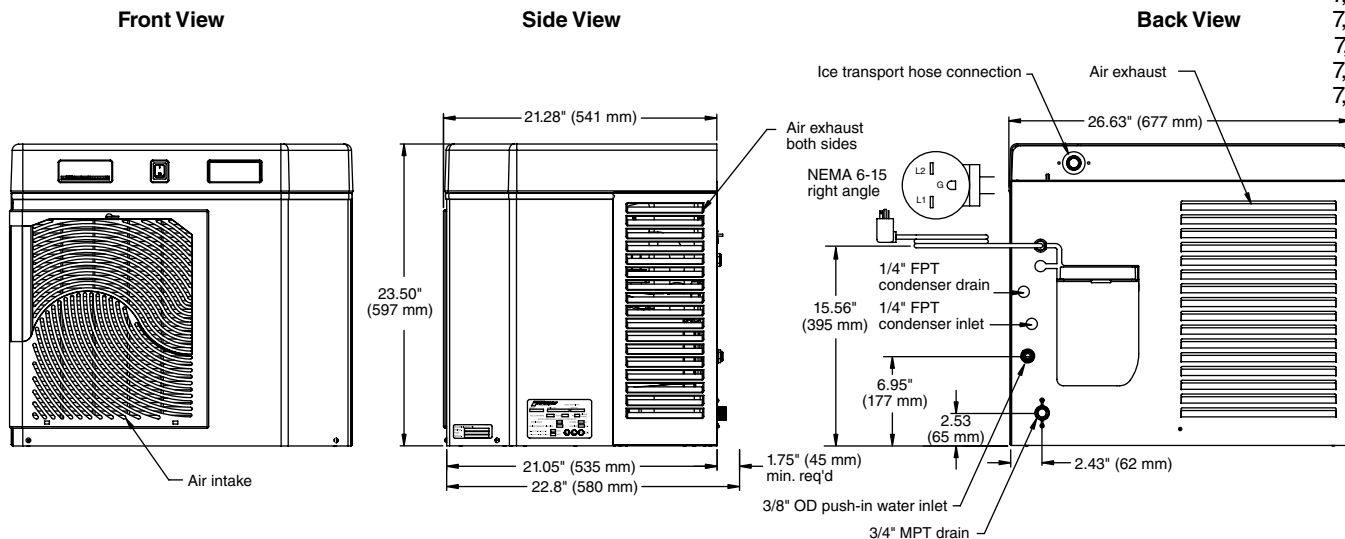
Application	Condenser	Top Mount	Satellite-fill
Ice storage bins	with without	HCD1000RBT HCD1000NBT	HCD1000RBS HCD1000NBS
Follett Vision dispensers	with without	not available	HCD1000RVS HCD1000NVS
Ice & beverage dispensers manufactured by others	with without	HCD1000RHT HCD1000NHT (requires Follett Harmony™ top kit.)	HCD1000RHS HCD1000NHS
Drop-in dispensers	with without	not available	HCD1000RJS HCD1000NJS
Ice Manager diverter valve system	with without	not available	HCD1000RMS HCD1000NMS



# Horizon Chewblet ice icemaker - self-contained, air- or water-cooled

**HCC1000A**  
**HCC1000W**

U.S. Patents  
7,263,844  
7,096,686  
7,322,201  
7,409,548  
7,469,552



## Operating Limits

Ambient air temp. range – 50 F to 100 F (10 C to 38 C).  
Water temp. range – 45 F to 90 F (7 C to 32 C).  
Potable water pressure – 10 psi to 70 psi (69 kpa to 483 kpa).  
Condenser water pressure – 150 psi (1035 kpa) maximum.

## Electrical

208-230/60/1, 11 amps; max. icemaker fuse or circuit breaker 15 amps. 6 ft (1.8 m) cord and plug to be provided with each icemaker. Separate circuits required for each icemaker.

## Transport Tube (Satellite-fill models only)

10 ft (3 m) of insulated transport tube provided.

## Approximate Shipping Weight

260 lbs (118 kg)

## Dimensions

Overall Dimensions		
Height	Depth	Width
23.5 in (597 mm)	22.8 in (580 mm)	26.7 in (677 mm)

## Water Consumption

13.6 gal (52 L) of potable water usage per 100 lbs (46 kg) of ice.

## Heat Rejection

11,300 BTU/hr (2,848 Kcal/hr) for air-cooled.  
12,800 BTU/hr (3,226 Kcal/hr) for water-cooled.

## Energy Consumption

KWH per 100 lbs (46 kg) ice*	
Air-cooled	5.1
Water-cooled	4.2

\*Air temp. 90 F (32 C); water temp. 70 F (21 C)

## Water Flow Requirements for Water-Cooled Condensers

Water Temp. F°/C°	50/10	60/16	70/21
Water Flow: Gallons/100 lbs of ice Liters/46 kg of ice	65 246	87 329	108 409

Application	Condenser	Top Mount	Satellite-fill
Ice storage bins <sup>1</sup>	air water	HCC1000ABT HCC1000WBT	HCC1000ABS HCC1000WBS
Follett Vision dispensers <sup>2</sup>	air water	not available	HCC1000AVS HCC1000WVS
Ice & beverage dispensers manufactured by others	air water	HCC1000AHT HCC1000WHT (requires Follett Harmony™ top kit.)	HCC1000AHS HCC1000WHS
Drop-in dispensers <sup>3</sup>	air water	not available	HCC1000AJS HCC1000WJS
Ice Manager diverter valve system <sup>4</sup>	air water	not available	HCC1000AMS HCC1000WMS

- 1 - Ice enters through top of bin in Satellite-fill applications. For side entry, contact factory at (800) 523-9361.
- 2 - See form# 3105 for additional design information regarding installation of a Horizon icemaker with Follett Vision dispensers.
- 3 - See form# 3425 for additional design information regarding installation of a Horizon icemaker with drop-in dispensers.
- 4 - See form# 3265 for additional design information regarding installation of a Horizon icemaker with Ice Manager diverter valve system.

## Ice Production

Air-cooled icemaker capacity/24 hrs.

Inlet Water Temperature F/C	Ambient Air Temperature F/C						lbs	kg
	F	60	70	80	90	100		
50	1135	1100	962	828	786	786	lbs	
10	515	499	437	376	357	357	kg	
60	1070	1000	916	816	728	728	lbs	
16	486	454	416	371	331	331	kg	
70	1015	938	871	794	686	686	lbs	
21	461	426	395	361	312	312	kg	
80	967	902	826	755	654	654	lbs	
27	439	410	375	343	297	297	kg	
90	924	859	782	698	610	610	lbs	
32	420	390	355	317	277	277	kg	

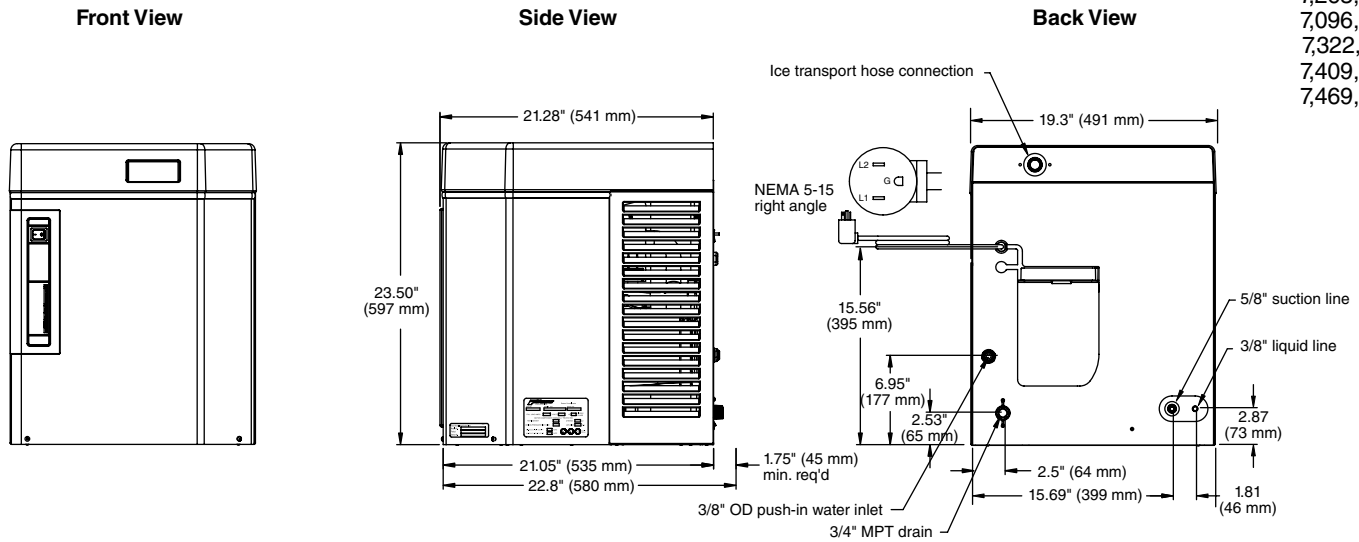
Water-cooled icemaker capacity/24 hrs.

Inlet Water Temperature F/C	Condenser Water Temperature F/C						lbs	kg
	F	60	70	80	90	100		
50	1071	1035	975	885	762	762	lbs	
10	486	470	443	402	346	346	kg	
60	1025	979	912	826	723	723	lbs	
16	465	444	414	375	328	328	kg	
70	971	932	870	786	683	683	lbs	
21	441	423	395	357	310	310	kg	
80	912	888	839	759	642	642	lbs	
27	414	403	381	345	292	292	kg	
90	849	842	814	745	603	603	lbs	
32	386	382	370	338	274	274	kg	

# Horizon Chewblet ice icemaker with remote condensing unit

**HCD1000R**  
**HCD1000N**

U.S. Patents  
7,263,844  
7,096,686  
7,322,201  
7,409,548  
7,469,552



## Operating Limits

Ambient air temp. range, condenser – -20 F to 120 F (-29 C to 49 C).  
Ambient air temp. range, evaporator – 50 F to 100 F (10 C to 38 C).  
Water temperature range – 45 F to 90 F (7 C to 32 C).  
Potable water pressure – 10 psi to 70 psi (69 kpa to 483 kpa).  
Remote condensing unit capacity of 7,700 BTU/hr (1940 Kcal/hr) at 0 F (-18 C) evaporator, 90 F (32 C) ambient air (HCD1000N units only).  
Rack systems require EPR valve (supplied by others) set to 0 F (-18 C).

## Installation Limits

Maximum line run length – 100 ft (30.5 m).  
Installations with up to 50 ft (15.2 m) line run require 8 lbs (4 kg) of refrigerant (consult installation manual for correct refrigerant charge if line run exceeds 50 ft (15.2 m)).  
Maximum line rise  
Condensing unit above evaporator unit – 35 ft (10.7 m) (installations with rise over 20 ft (6.1 m) require additional suction line s-trap at midpoint of rise).  
Evaporator unit above condensing unit – 15 ft (4.6 m).  
Maximum line drop – 15 ft (4.6 m).

## Electrical

Evaporator unit – 115/60/1, 6 amps; max. icemaker fuse or circuit breaker 15 amps.  
Condensing unit – 208-230/60/1, 7.5 amps; max. fuse or circuit breaker 15 amps.

6 ft (1.8 m) cord and NEMA 5-15 hospital-grade plug provided with evaporator unit. Separate circuits required for each.

## Transport Tube (Satellite-fill models only)

10 ft (3 m) of insulated transport tube provided.

## Approximate Shipping Weight

Evaporator unit – 180 lbs (68 kg); Condensing unit – 225 lbs (102 kg)

## Dimensions

Overall Dimensions		
Height	Depth	Width
23.5 in (597 mm)	22.8 in (580 mm)	19.3 in (491 mm)

## Water Consumption

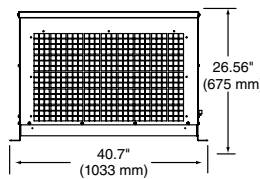
13.6 gal (52 L) of potable water usage per 100 lbs (46 kg) of ice.

## Energy Consumption

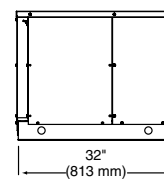
KWH per 100 lbs (46 kg) ice*	
Remote condensing unit	5.1

\*Air temp. 90 F (32 C); water temp. 70 F (21 C)

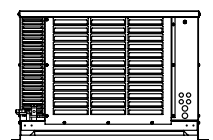
## Condensing Unit Front View



## Condensing Unit Side View



## Condensing Unit Back View



Application	Condenser	Top Mount	Satellite-fill
Ice storage bins <sup>1</sup>	with without	HCD1000RBT HCD1000NBT	HCD1000RBS HCD1000NBS
Follett Vision dispensers <sup>2</sup>	with without	not available	HCD1000RVS HCD1000NVS
Ice & beverage dispensers manufactured by others	with without	HCD1000RHT HCD1000NHT (requires Follett Harmony™ top kit.)	HCD1000RHS HCD1000NHS
Drop-in dispensers <sup>3</sup>	with without	not available	HCD1000RJS HCD1000NJS
Ice Manager diverter valve system <sup>4</sup>	with without	not available	HCD1000RMS HCD1000NMS

1 - Ice enters through top of bin in Satellite-fill applications. For side entry, contact factory at (800) 523-9361.

2 - See form# 3110 for additional design information regarding installation of a Horizon icemaker with Follett Vision dispensers.

3 - See form# 3425 for additional design information regarding installation of a Horizon icemaker with drop-in dispensers.

4 - See form# 3265 for additional design information regarding installation of a Horizon icemaker with Ice Manager diverter valve system.

## Ice Production

Air-cooled icemaker capacity/24 hrs.

		Ambient Air Temperature F/C					
		F	60	70	80	90	100
Inlet Water Temperature F.C	C	16	21	27	32	38	
	50	944	<b>900</b>	853	819	791	lbs
	10	429	<b>409</b>	387	372	359	kg
	60	887	866	837	800	756	lbs
	16	403	393	380	363	343	kg
	70	833	824	804	<b>765</b>	710	lbs
	21	378	374	365	<b>347</b>	322	kg
	80	784	774	752	714	656	lbs
	27	356	351	342	324	298	kg
	90	740	714	680	640	594	lbs
32	336	324	309	291	270	kg	

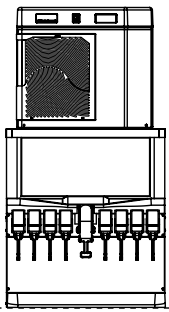
## Horizon Series Icemaker Model Number Configurations

**HC C 1000 A V S**

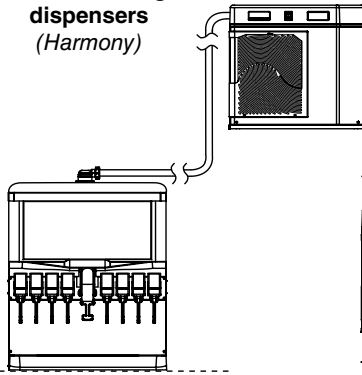
Icemaker	Voltage	Series	Condenser	Application	Configuration
HC Horizon Chewblet®	C 208-230/60/1 (self-contained only) D Low side 115/60/1 Condensing unit 208-230/60/1 (remote condensing only) E 230/50/1 (self-contained only)	1000 up to 1036 lbs (471 kg) 1400 up to 1450 lbs (658 kg)	A Air-cooled, self-contained W Water-cooled, self-contained R Air-cooled, remote condensing unit N Air-cooled, no condensing unit for connection to parallel rack system	V Vision™ H Harmony™ B Ice storage bin J Drop-in M Ice Manager† diverter valve system	S Satellite-fill™ T Top-mount

† Ice Manager diverter valve systems can be used to fill two bins or dispensers with a single icemaker.

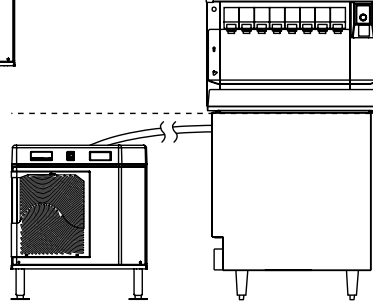
**Top mount on ice and beverage dispensers (Harmony)**



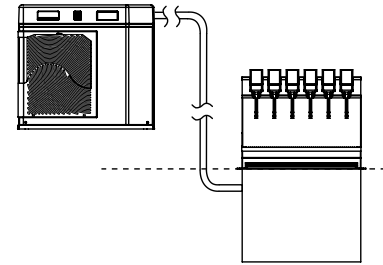
**Satellite-fill for ice and beverage dispensers (Harmony)**



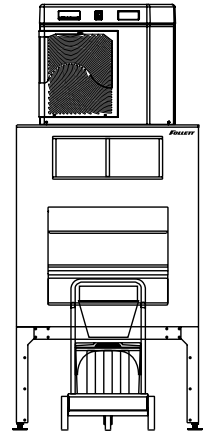
**Satellite-fill for Follett Vision dispensers**



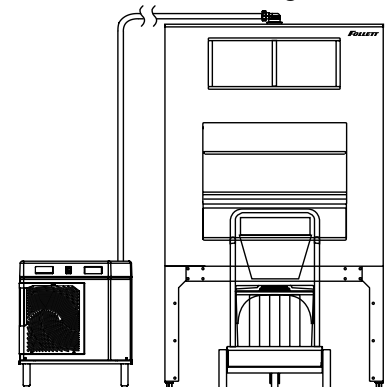
**Satellite-fill for drop-in dispenser**



**Top mount on ice storage bins**



**Satellite-fill for ice storage bins**



### Approved Harmony applications and top kits\*

Manufacturer/Model Number	W = Width in (mm)	D = Depth in (mm)	H = Height** in (mm)	Harmony top kit – specify “F” for front facing, or “B” for backward facing units	
				HCC1000 Air or Water	HCD1000 Remote Condensing
<b>Lancer dispensers</b>					
4500-22N	22.0 ( 559)	30.5 (775)	N/A	Satellite-fill only	Satellite-fill only
4500-30N	30.0 ( 762)	30.5 (775)	36.50 ( 928)	HTL30SC-10F	HTL30RC-F
FS-22N	22.0 ( 559)	30.5 (775)	42.13 (1070)	Satellite-fill only	HTL22RC-F
FS-30N	30.0 ( 762)	30.5 (775)	42.13 (1070)	HTL30SC-10F	HTL30RC- (F or B)
FS-44N #	44.0 (1118)	30.5 (775)	42.13 (1070)	Satellite-fill only	(2) HTL22RC-F
<b>Remcor/Cornelius dispensers</b>					
DB/ED/DF 150 series	22.0 ( 559)	30.0 (762)	34.38 ( 873)	Satellite-fill only	HTC22RC-F
DB/ED/DF 200 series	30.0 ( 762)	30.0 (762)	34.38 ( 873)	HTC30SC-10F	HTC30RC-F
DB/ED/DF 250 series	30.0 ( 762)	30.0 (762)	38.38 ( 975)	HTC30SC-10F	HTC30RC-F
DB/ED/DF 300 series	44.0 (1118)	30.0 (762)	34.00 ( 864)	HTC44SC-10 (F or B)	HTC44RC- (F or B)
FlavorFusion	30.0 ( 762)	30.7 (780)	39.38 (1000)	HTC30SC-10F-FF	HTC30RC-10F-FF
IDC200	30.0 ( 762)	30.7 (780)	39.38 (1000)	HTC30SC-10F-IDC	HTC30RC-10F-IDC
IDC250	30.0 ( 762)	30.7 (780)	36.38 ( 924)	HTC30SC-10F-IDC	HTC30RC-10F-IDC
<b>SerVend dispensers</b>					
MDH-302	42.75 (1086)	31.0 (787)	32.38 (820)	HTS44SC-10 (F or B)†	HTS44RC- (F or B)†
MDH-402	60.00 (1524)	30.5 (775)	32.38 (820)	Satellite-fill only	HTS60RC- _ §(F or B)†

\* All approved dispensers can be filled with a Satellite-fill Horizon icemaker model without a top kit.  
 § 60-inch models: Please specify number of Horizon icemakers and location. D = 2; R = 1 on right side; L = 1 on left side  
 † Requires minimum .5" (12.7 mm) clearance between back of dispenser and wall.  
 \*\* Net height after installation of top kit (excluding height of icemaker).  
 # F-44N consists of 2 separate 22" dispensers. A top kit is needed for each Horizon icemaker ordered.