

Maestro™

MC400 series Chewblet® ice machine



MCD400ABT ice machine shown on Follett 425-30 ice storage bin, sold separately

Features

Compact, reliable ice machine for use with Follett® ice storage bins. Stainless steel exterior with easily removable modern-style plastic façade. Both air- and water-cooled models use environmentally responsible R404a refrigerant. Production capacity up to 400 lb (181 kg) of Chewblet ice in a 24-hour period.

High performance Maestro ice machines

- stainless steel evaporator, auger and top bearing
- oversized, heavy duty, tapered roller bearing ensures long, low-maintenance life
- ice machine can be cleaned without contaminating ice
- quiet production; no noisy harvest cycles
- fully replaceable gasket seals door opening on bins

Lower utility bills

- energy-efficient, no costly defrost cycles
- 25% less energy than comparable capacity cube machines
- 40% less water than comparable capacity cube machines

Easy installation

- cord and hospital-grade plug provided (230 V models – cord only)

Space saving design

- compact design – only 18.88" wide x 20.75" deep x 17.00" high (48.0 cm x 52.7 cm x 43.2 cm)
- perfect for use on Follett's 22.00" (55.8 cm) wide ice storage bin

Consumer-preferred Chewblet ice

- preferred over cubes by more than 2:1*
- more reliable dispensing than nugget or pellet ice
- slow melting, maintains drink temperature and quality, comparable to cubes
- higher displacement than cube ice
- ice type great for use in ice packs and food displays – 5/8" diameter x 1.00" (1.57 cm x 2.54 cm)

Accessories

- Water filter kit (item# 00130229, see form# 9905)
 - ___ ea. extra primary water filter cartridge (item# 00130245)
 - ___ ea. extra pre-filter cartridge (item# 00130211)
- SafeCLEAN™ environmentally responsible ice machine cleaner (item# 00132001)
- Nu-Calgon® IMS-II sanitizer, 16 oz bottle (item# 00979674)
- See form# 3435 for additional bin accessories

Maestro 400 series ice machine		
Condenser	V/Hz/Ph	Item number
air	115/60/1	MCD400ABT
	230/50/1	MCE400ABT
water	115/60/1	MCD400WBT
	230/50/1	MCE400WBT

* Consumer study conducted by independent agency Roper ASW.

Job

Item

Follett Europe Polska Sp. z o.o.
Mokry Dwór 26C 83-021 Wiślina, Poland
+48 (58) 785-6140 | Fax: +48 (58) 785-6159
folletteurope.com

801 Church Lane | Easton, PA 18040, USA
1.610.252.7301 | Fax: +1.610.250.0696 | follettice.com

FOLLETT
Innovative solutions, inspired by ice

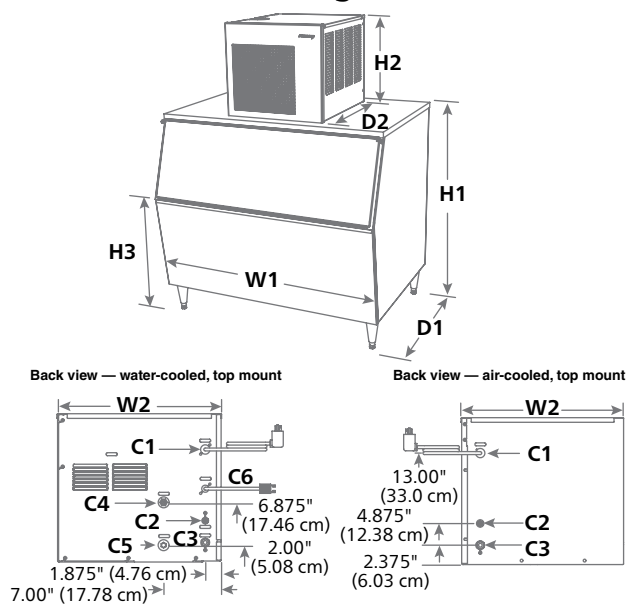
Specification

W2 Width	18.88" (48.0 cm) fits on 22.00" wide dispensers
D2 Depth	20.75" (52.7 cm)
H2 Height	17.00" (43.2 cm)
Service clearance	2.00" top – no front obstructions 6.00" on exhaust side
C1 Electrical 115 V/60/1 – MCD400 models	11 amps, max fuse 20 amp, 7' (2 m) cord, NEMA 5-20 plug
Electrical 230 V/50/1 – MCE400 models	5 amps, max fuse 20 amp, 7' (2 m) cord only
C2 Water inlet	3/8" OD push-in installation of an in line water filtration system is recommended
C3 Drain ¹	3/4" MPT water-cooled models, require separate condenser drains
Water-cooled ice machine connections	C4 – 1/4" FPT condenser inlet C5 – 1/4" FPT condenser outlet
C6 Ice bin signal cord	
Air temperature	50 - 100 F (10 - 38 C)
Water temperature	45 - 90 F (7 - 32 C)
Potable water pressure	10 - 70 psi (69 - 483 kPa)
Condenser water pressure	10 - 125 psi (69 - 861 kPa)
Energy consumption 90 F (32 C) air, 70 F (21 C) water	air-cooled models – 5.7 kWh, water-cooled models – 5.5 kWh per 100 lb (45.4 kg) ice
Heat rejection	air-cooled models – 5,000 BTU/hr, water-cooled models – 1400 BTU/hr to air, 3600 BTU/hr to water
Water consumption	12.6 gal (48 L) of potable water per 100 lb (45.4 kg) of ice (per AHRI test standards)
Water flow requirement for water-cooled models	73 gallons/100 lb of ice (530 L/45.4 kg), 0.5 gallons per minute
Approximate ship weight	160 lb (73 kg)

NOTE: For indoor use only

SHORT FORM SPECIFICATION: Ice machine to be Follett model number _____. Ice machine to be ____ air- or ____ water-cooled, with stainless steel exterior panels and plastic front cover. Ice machine production to be approximately 400 lb (181 kg) per day of Chewblet ice at air temp. of 70 F (21 C), water temp. of 50 F (10 C). Ice machine to use environmentally responsible R404a refrigerant and to be equipped with printed circuit board with diagnostics for simplified servicing. Ice machine to have stainless steel evaporator, auger and top bearings, heavy-duty tapered roller bearings, and low water safety circuit. Ice machine to be NSF, UL and cUL listed. 230 V models also CE compliant.

Dimensional drawing



Ice production – water-cooled

Inlet water temperature F (C)	Ambient air temperature F (C)					lb/kg production in 24 hr
	60 (16)	70 (21)	80 (27)	90 (32)	100 (38)	
50 (10)	451 (204)	447 (202)	442 (200)	437 (199)	428 (194)	
60 (16)	423 (192)	413 (187)	409 (185)	399 (181)	394 (179)	
70 (21)	394 (179)	390 (177)	380 (172)	371 (168)	361 (163)	
80 (27)	371 (168)	361 (163)	352 (160)	342 (155)	333 (151)	
90 (32)	352 (160)	342 (155)	333 (151)	323 (146)	309 (140)	

Ice production – air-cooled

Inlet water temperature F (C)	Ambient air temperature F (C)					lb/kg production in 24 hr
	60 (16)	70 (21)	80 (27)	90 (32)	100 (38)	
50 (10)	510 (232)	454 (206)	397 (180)	335 (152)	273 (124)	
60 (16)	482 (219)	435 (198)	389 (177)	329 (150)	270 (123)	
70 (21)	454 (206)	417 (190)	380 (173)	323 (147)	266 (121)	
80 (27)	424 (193)	385 (175)	347 (158)	297 (135)	247 (112)	
90 (32)	394 (179)	354 (161)	313 (142)	270 (123)	227 (103)	

Calgon is a licensed tradename distributed by Nu-Calgon, in the United States. Horizon, Maestro and SafeCLEAN are trademarks of Follett Corporation. Chewblet and Follett are registered trademarks of Follett Corporation, registered in the US. Follett reserves the right to change specifications at any time without obligation. Certifications may vary depending on country of origin.

Configure your ice machine with the following bin models

Slope front bin model	Maximum bin capacity lb (kg)	Cubic Volume cu ft (m)	Width - W1 in (cm)	Depth - D1 in (cm)	Height - H1 in (cm)	Door Sill Height - H3	Required door access in (cm)	Approximate ship weight lb (kg)
300-22*	300 (136)	9.6 (0.27)	22.00 (55.9)	29.50 (74.9)	40.00 (101.6)	26.00 (66.0)	23.00 (58.4)	128 (58)
425-30	430 (195)	13.8 (0.39)	30.00 (76.2)	29.50 (74.9)	40.00 (101.6)	26.00 (66.0)	31.00 (78.7)	144 (66)
650-44	660 (299)	20.8 (0.59)	44.00 (111.8)	29.50 (74.9)	40.00 (101.6)	26.00 (66.0)	32.00 (81.2)	178 (81)
950-48	950 (431)	30.1 (0.85)	48.00 (121.9)	28.25 (71.8)	50.00 (127.0)	36.00 (91.4)	32.00 (81.2)	207 (94)
1025-52	1030 (467)	32.6 (0.92)	52.00 (132.1)	28.25 (71.8)	50.00 (127.0)	36.00 (91.4)	32.00 (81.2)	217 (98)

* Model 300-22 only for use with Follett® Maestro 400 (air-cooled) and Horizon™ 700 series ice machines.

¹ Follett recommends installation of a floor drain with grate with all ice storage bins.