

Maestro™

MF400 series flake ice machine



MFD400ABT ice machine shown on Follett 425-30 ice storage bin, sold separately

Maestro 400 series ice machine			
Ice type	Condenser	V/Hz/Ph	Item number
		230/50/1	MFE400ABT
		230/50/1	MFE400WBT



Job _____

Item _____

Features

Follett modular flake ice machines offer the right ice for a broad range of healthcare and foodservice applications as well as exceptional reliability for long equipment life. Both air- and water-cooled models use environmentally responsible R404a refrigerant and produce approximately 400 lb/day (181 kg) of soft, moldable flake ice.

The required ice for clinical labs, rehab and medical research

- high surface area of flake ice chills quickly, maintains samples at desired temperature
- holds test tubes and lab vials securely, even when ice is melting
- molds well in ice bag and rehab applications for best skin contact and swelling control

Perfect for foodservice and grocery displays

- cradles fish and vegetables without bruising
- securely supports salad bar containers without tipping

Efficient, dependable design

- continuous icemaking process saves substantial water and electricity compared to cube ice, making flake ice displays more economical
- stainless steel frame and cabinet resist corrosion
- heavy-duty stainless steel evaporator, auger and top bearing deliver outstanding reliability
- solid-state PC board monitors torque and provides at-a-glance machine status
- high-pressure cut-out switch protects machine from water-loss and fan failure

Wide range of ice bins available to meet virtually every storage need

- compatible with more than 20 of Follett's ice storage bins
- stainless steel exteriors and polyethylene bin liners ensure long bin lives
- foamed CFC-free polyurethane insulation minimizes melting
- storage capacities from 400 lb (181 kg), widths from 22.00" (55.9 cm)

Accessories

Water filter kit (item# 00130229, see form# 9905)

- ___ ea. extra primary water filter cartridge (item# 00130245)
- ___ ea. extra pre-filter cartridge (item# 00130211)

Carbonless water filter kit (item# 01050442)

- ___ ea. extra primary water filter cartridge (item# 01050426)
- ___ ea. extra pre-filter cartridge (item# 00130211)

SafeCLEAN™ environmentally responsible ice machine cleaner (item# 00132001)

Nu-Calgon® IMS-II sanitizer, 16 oz bottle (item# 00979674)

Follett Europe Polska Sp. z o.o.
Mokry Dwór 26C 83-021 Wiślina, Poland
+48 (58) 785-6140 | Fax: +48 (58) 785-6159
folletteurope.com

801 Church Lane | Easton, PA 18040, USA
1.610.252.7301 | Fax: +1.610.250.0696 | follettice.com

FOLLETT[®]
Innovative solutions, inspired by ice

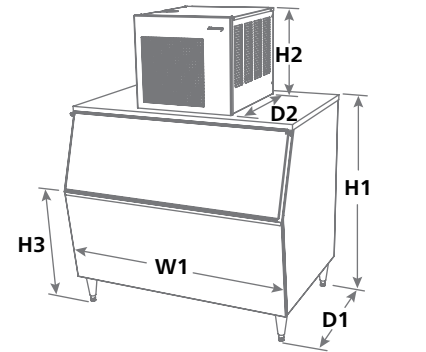
Specification

W2 Width	18.88" (48.0 cm) fits on 22.00" wide dispensers or bins
D2 Depth	20.75" (52.7 cm)
H2 Height	17.00" (43.2 cm)
Service clearance	12.00" top - no front obstructions 6.00" on exhaust side (right side)
C1 Electrical	5 amps, max fuse 20 amp, 230 V/50/1 – MFE400 models
C2 Water inlet	3/8" OD push-in water inlet installation of an in line water filtration system is recommended
C3 Drain ¹	3/4" MPT water-cooled models, require separate condenser drains
Water-cooled ice machine connections	C4 – 1/4" FPT condenser inlet, C5 – 1/4" FPT condenser drain
C6 Ice bin signal cord	
Air temperature	50 - 100 F (10 - 38 C)
Water temperature	45 - 90 F (7 - 32 C)
Potable water pressure	10 - 70 psi (69 - 483 kPa)
Condenser water pressure	10 - 125 psi (69 - 861 kPa)
Ice production at 70 F (21 C) air, 50 F (10 C) water	air-cooled models - 454 lb (206 kg) water-cooled models - 447 lb (202 kg)
Ice production at 90 F (32 C) air, 70 F (21 C) water	air-cooled models - 323 lb (147 kg) water-cooled models - 371 (168 kg)
Energy consumption	air-cooled models – 5.7 kWh, 90 F (32 C) air, 70 F (21 C) water
Heat rejection	air-cooled models – 5,000 BTU/hr, water-cooled models – 1400 BTU/hr to air, 3600 BTU/hr to water
Water consumption	12.6 gal (48 L) of potable water per 100 lb (45 kg) of ice (per AHRI test standards)
Water flow requirement for water-cooled condensers	73 gallons/100 lb of ice (276 L/45.4 kg) at 70 F (21 C)
Approximate ship weight	160 lb (73 kg)
NOTE: For indoor use only	

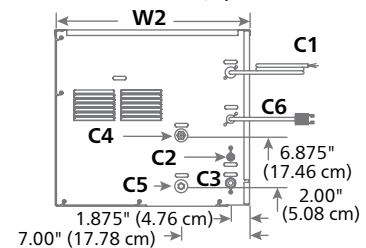
SHORT FORM SPECIFICATION:

Ice machine to be Follett model number _____.
Ice machine to be ____ air- or ____ water-cooled, with stainless steel exterior panels and plastic front cover. Ice machine production to be approximately 400 lb (181 kg) per day of flake ice at air temp. of 70 F (21 C), water temp. of 50 F (10 C). Ice machine to use environmentally responsible R404a refrigerant and to be equipped with printed circuit board with diagnostics for simplified servicing. Ice machine to have stainless steel evaporator, auger and top bearings, heavy-duty tapered roller bearings, and low water safety circuit. 230 V models CE compliant.

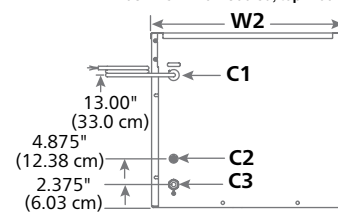
Dimensional drawing



Back view — water-cooled, top mount



Back view — air-cooled, top mount



Calgon is a licensed tradename distributed by Nu-Calgon, in the United States. Horizon, Maestro and SafeCLEAN are trademarks of Follett Corporation. Follett is a registered trademark of Follett Corporation, registered in the United States. Follett reserves the right to change specifications at any time without obligation. Certifications may vary depending on country of origin.

Configure your ice machine with the following bin models

Slope front bin model	Maximum bin capacity lb (kg)	Cubic Volume cu ft (m)	Width - W1 in (cm)	Depth - D1 in (cm)	Height - H1 in (cm)	Door Sill Height - H3 in (cm)	Required door access in (cm)	Approximate ship weight lb (kg)
300-22*	300 (136)	9.6 (0.27)	22.00 (55.9)	29.50 (74.9)	40.00 (101.6)	26.00 (66.0)	23.00 (58.4)	128 (58)
425-30	430 (195)	13.8 (0.39)	30.00 (76.2)	29.50 (74.9)	40.00 (101.6)	26.00 (66.0)	31.00 (78.7)	144 (65)
650-44	660 (299)	20.8 (0.59)	44.00 (111.8)	29.50 (74.9)	40.00 (101.6)	26.00 (66.0)	32.00 (81.3)	178 (81)
950-48	950 (431)	30.1 (0.85)	48.00 (121.9)	28.25 (71.8)	50.00 (127.0)	36.00 (91.4)	32.00 (81.3)	207 (94)
1025-52	1030 (468)	32.6 (0.92)	52.00 (132.1)	28.25 (71.8)	50.00 (127.0)	36.00 (91.4)	32.00 (81.3)	217 (98)

* Model 300-22 only for use with Follett® Maestro 400 (air-cooled) and Horizon™ 700 series ice machines.

¹ Follett recommends installation of a floor drain with grate with all ice storage bins.

MF400 series ice machine

Form #2985 INT 09/14
© 2013 Follett Corporation



Follett Europe Polska Sp. z o.o.
Mokry Dwór 26C 83-021 Wiślina, Poland
+48 (58) 785-6140 | Fax: +48 (58) 785-6159
folletteurope.com

801 Church Lane | Easton, PA 18040, USA
1.610.252.7301 | Fax: +1.610.250.0696 | follettice.com

FOLLETT
Innovative solutions, inspired by ice